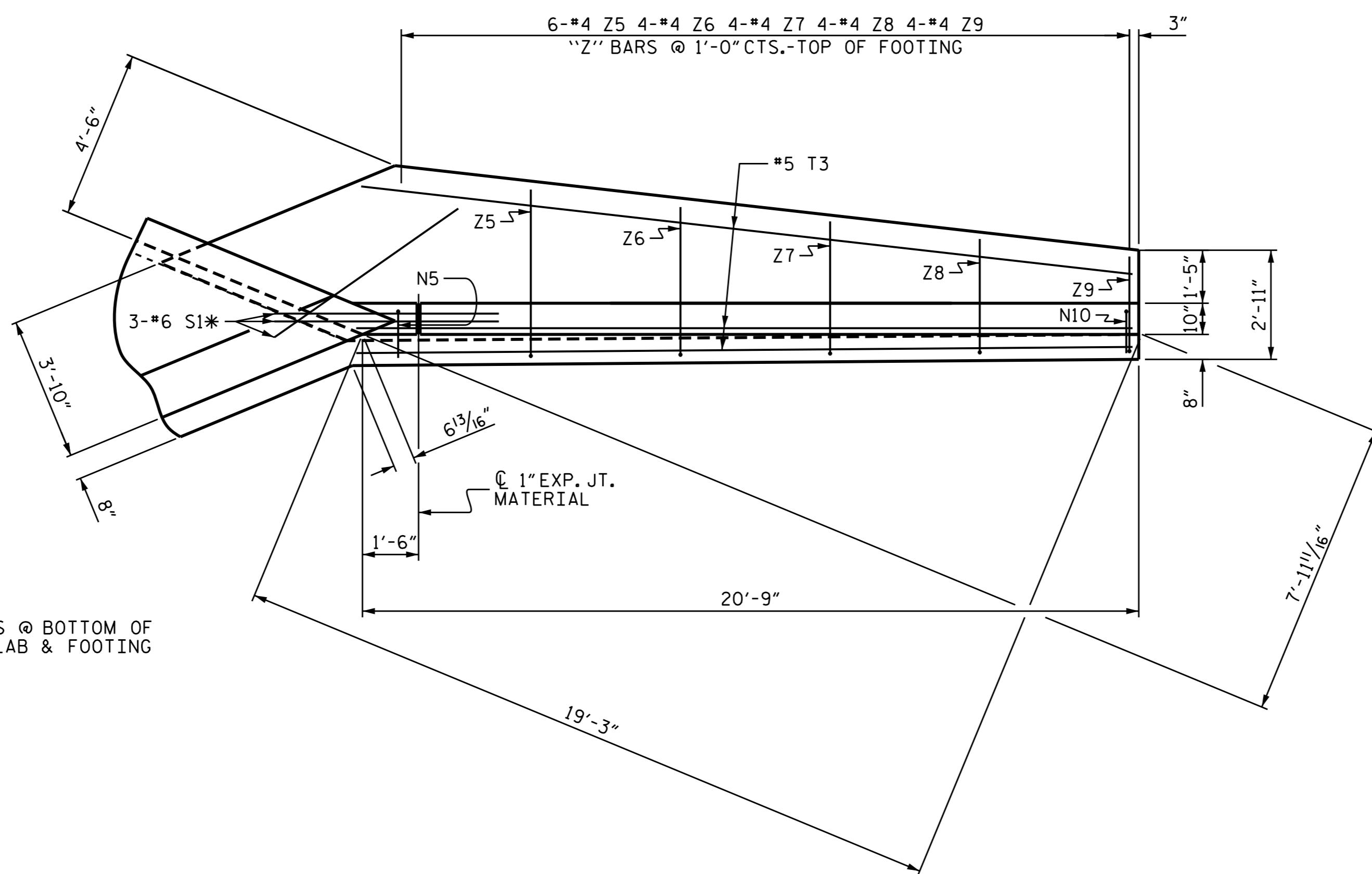
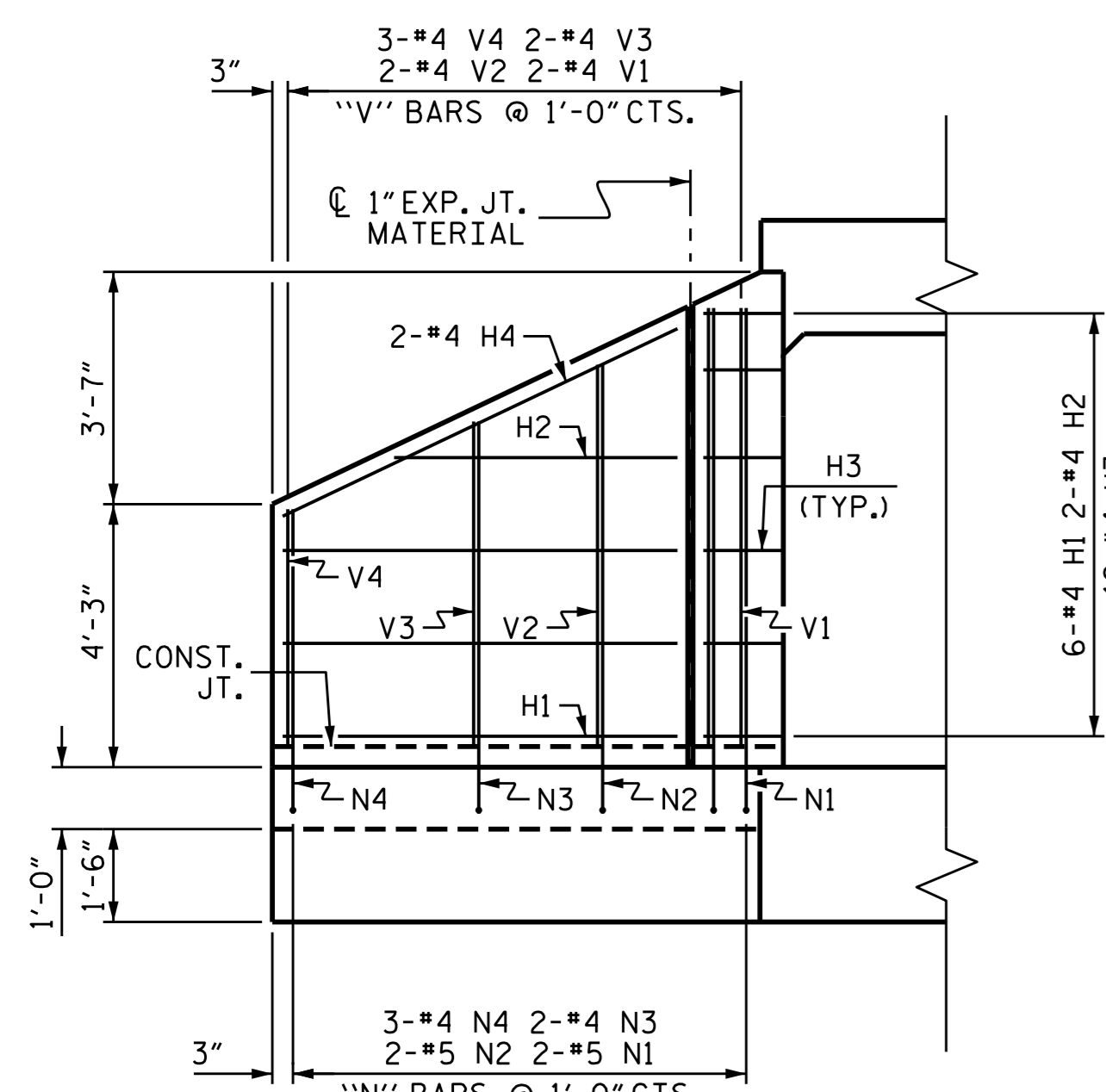


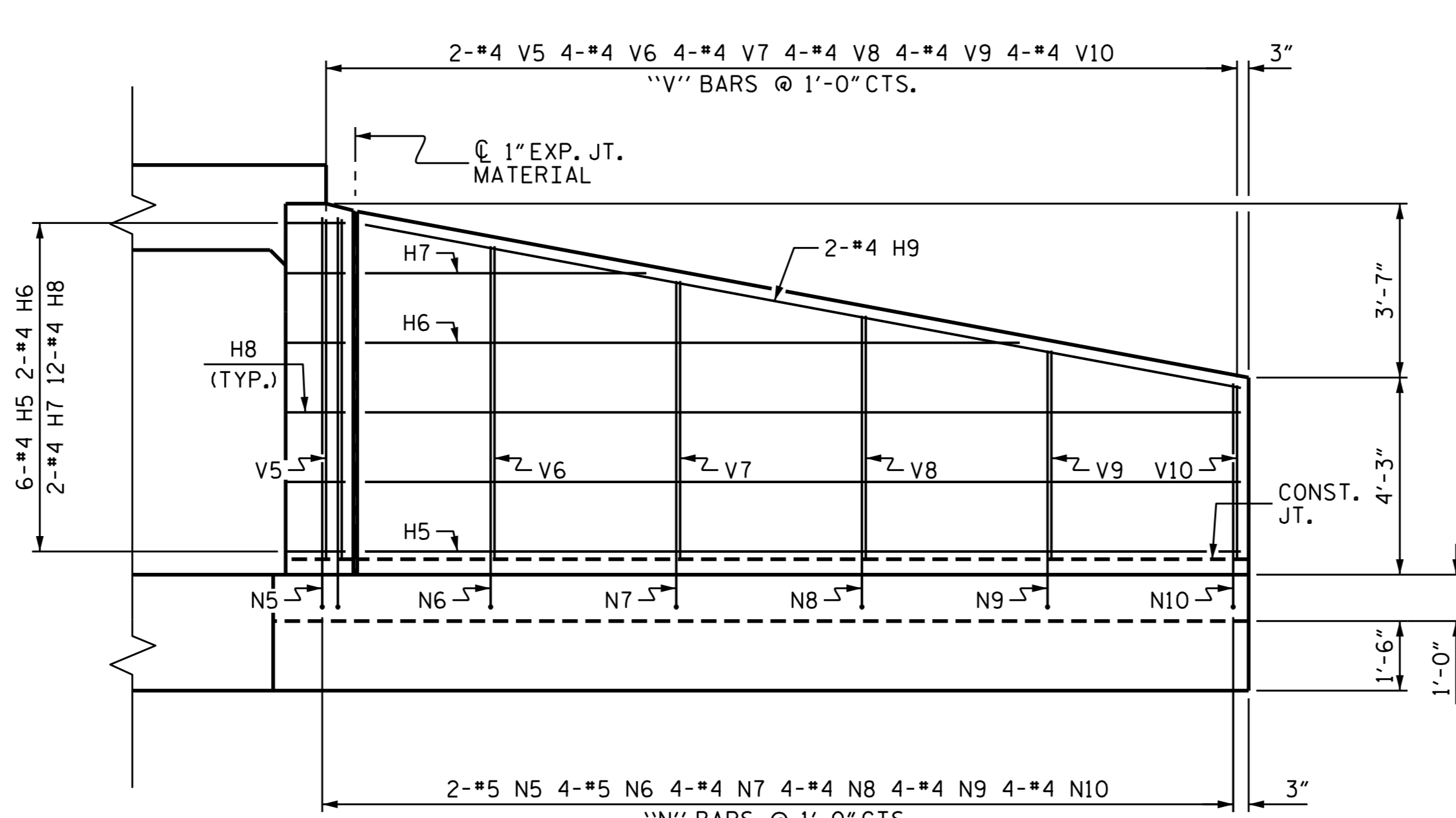
PLAN W2



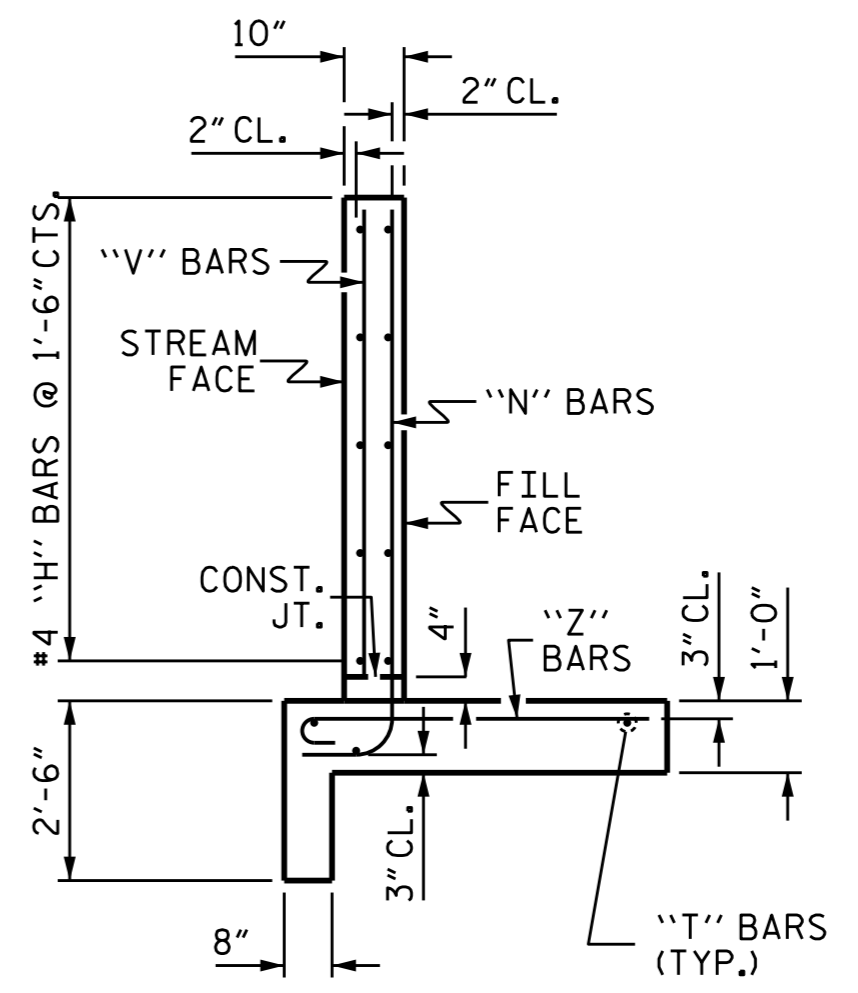
PLAN W1



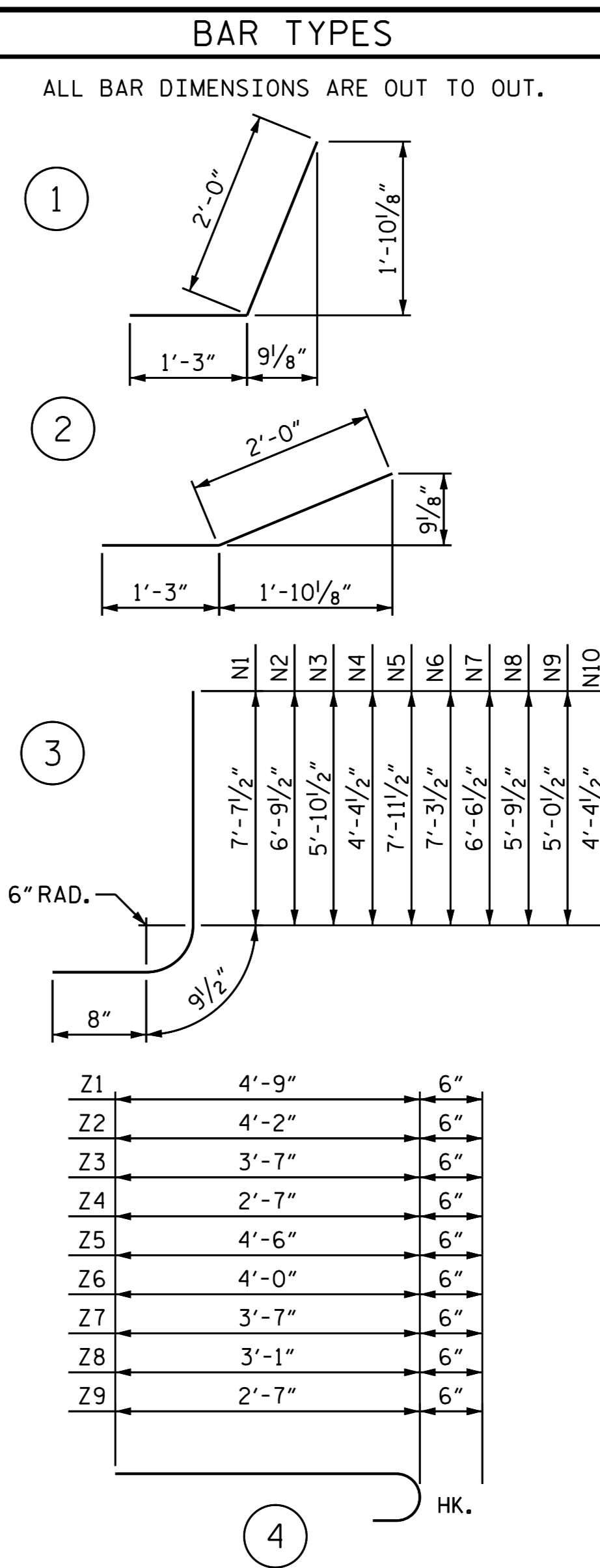
ELEVATION W2



ELEVATION W1



SECTION



BILL OF MATERIAL					
BAR NO.	NO.	SIZE	TYPE	LENGTH	WEIGHT
H1	6	#4	STR	6'-4"	25
H2	2	#4	STR	4'-6"	6
H3	12	#4	1	3'-3"	26
H4	2	#4	STR	7'-0"	9
H5	6	#4	STR	18'-10"	75
H6	2	#4	STR	14'-1"	19
H7	2	#4	STR	6'-0"	8
H8	12	#4	2	3'-3"	26
H9	2	#4	STR	19'-2"	26
N1	2	#5	3	9'-1"	19
N2	2	#5	3	8'-3"	17
N3	2	#4	3	7'-4"	10
N4	3	#4	3	5'-7"	11
N5	2	#5	3	9'-5"	20
N6	4	#5	3	8'-9"	37
N7	4	#4	3	8'-0"	21
N8	4	#4	3	7'-3"	19
N9	4	#4	3	6'-6"	17
N10	4	#4	3	5'-10"	16
S1	6	#6	STR	6'-0"	54
T1	2	#5	STR	8'-3"	17
T2	1	#5	STR	9'-0"	9
T3	3	#5	STR	20'-9"	65
V1	2	#4	STR	7'-1"	9
V2	2	#4	STR	6'-2"	8
V3	2	#4	STR	5'-3"	7
V4	3	#4	STR	3'-9"	8
V5	2	#4	STR	7'-4"	10
V6	4	#4	STR	6'-9"	18
V7	4	#4	STR	6'-0"	16
V8	4	#4	STR	5'-3"	14
V9	4	#4	STR	4'-6"	12
V10	4	#4	STR	3'-9"	10
Z1	2	#4	4	5'-3"	7
Z2	2	#4	4	4'-8"	6
Z3	2	#4	4	4'-1"	5
Z4	3	#4	4	3'-1"	6
Z5	6	#4	4	5'-0"	20
Z6	4	#4	4	4'-6"	12
Z7	4	#4	4	4'-1"	11
Z8	4	#4	4	3'-7"	10
Z9	4	#4	4	3'-1"	8
REINFORCING STEEL FOR 2 WINGS					749 LBS
CLASS A CONCRETE					
2 WINGS					11.8 CY
1 HEADWALL					0.6 CY
1 END CURTAIN WALL					0.6 CY
TOTAL					13.0 CY

PROJECT NO. U-2524D
 GUILFORD COUNTY
 STATION: 478+64.40 -L-

SHEET 5 OF 6
 DEPARTMENT OF TRANSPORTATION
 STANDARD WINGS
 FOR CULVERT #1
 SINGLE 8' X 7' RCBC
 H = 7'-0" SLOPE = 2:1
 45° SKEW AT INLET END



ASSEMBLED BY: A. SORSENGINH DATE: 1/2016
 CHECKED BY: T. H. FANG DATE: 5/15/16
 DRAWN BY: CCJ 01/00
 CHECKED BY: RWW 03/00

REVISIONS					
NO.	BY:	DATE:	NO.	BY:	DATE:
1			3		
2			4		

DOCUMENT NOT CONSIDERED FINAL UNLESS ALL SIGNATURES COMPLETED