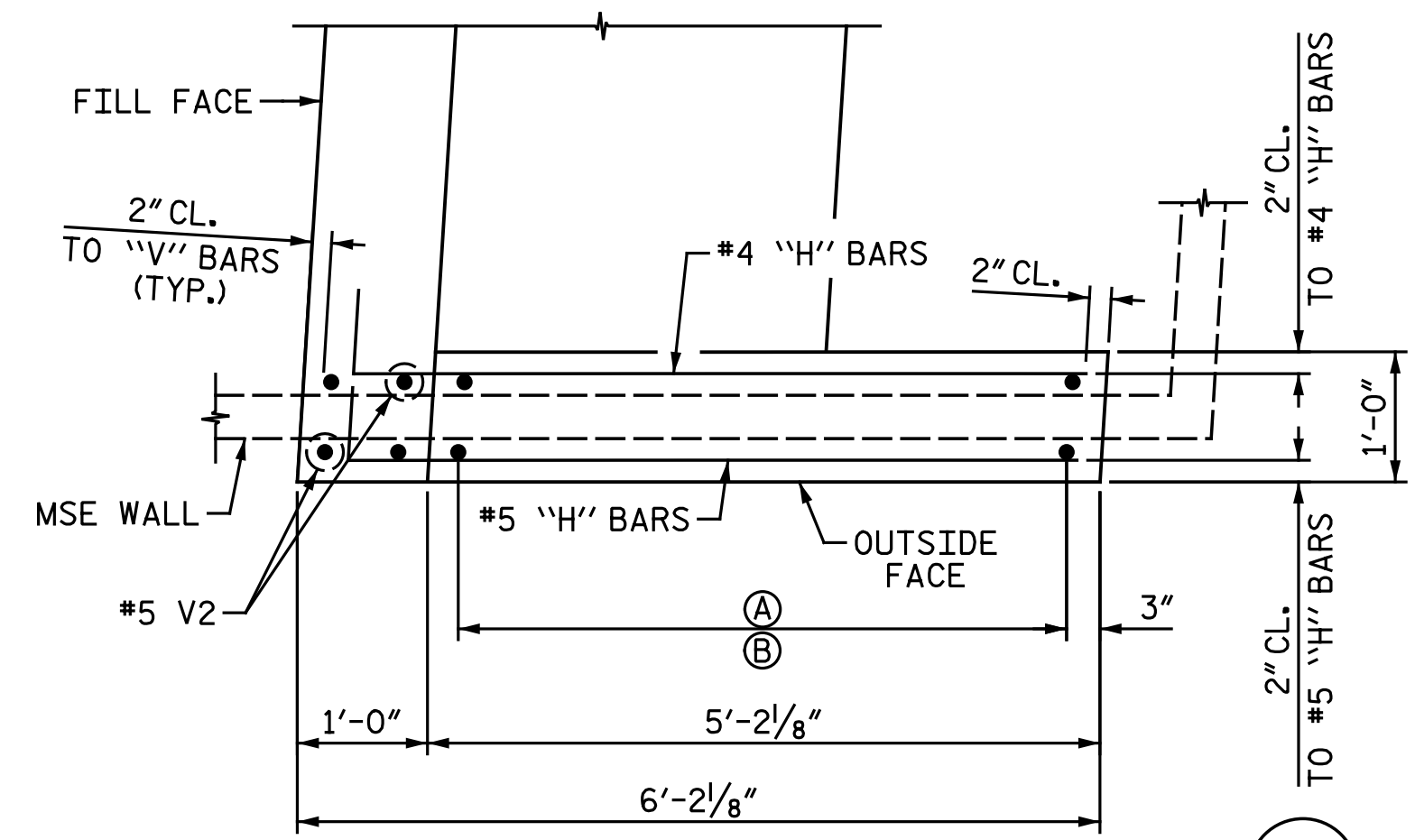


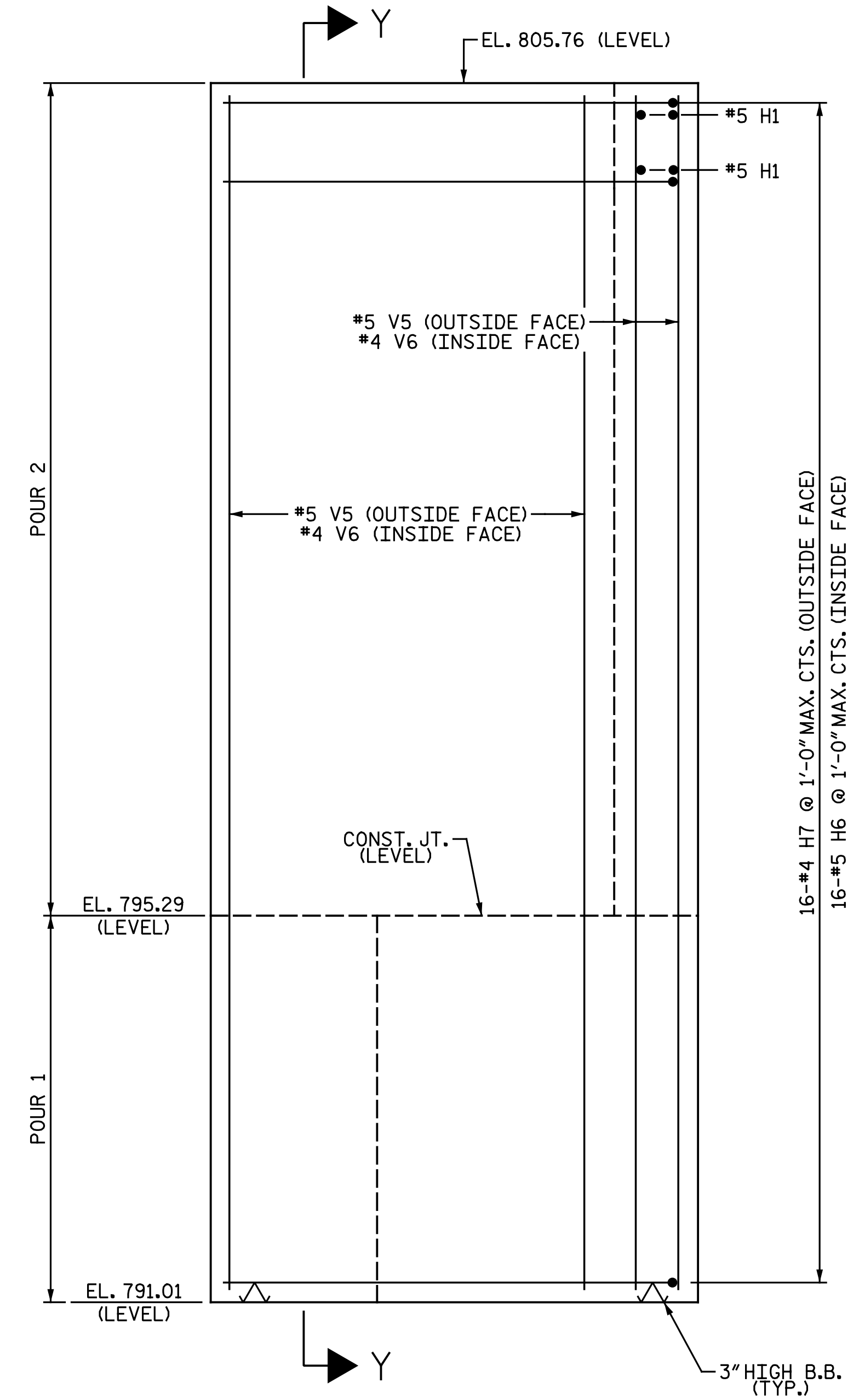
PLAN OF LEFT CHEEK WALL (W1)

- (A) 8-#5 V5 @ 1'-0" MAX. CTS. (OUTSIDE FACE)
- (B) 8-#4 V6 @ 1'-0" MAX. CTS. (INSIDE FACE)

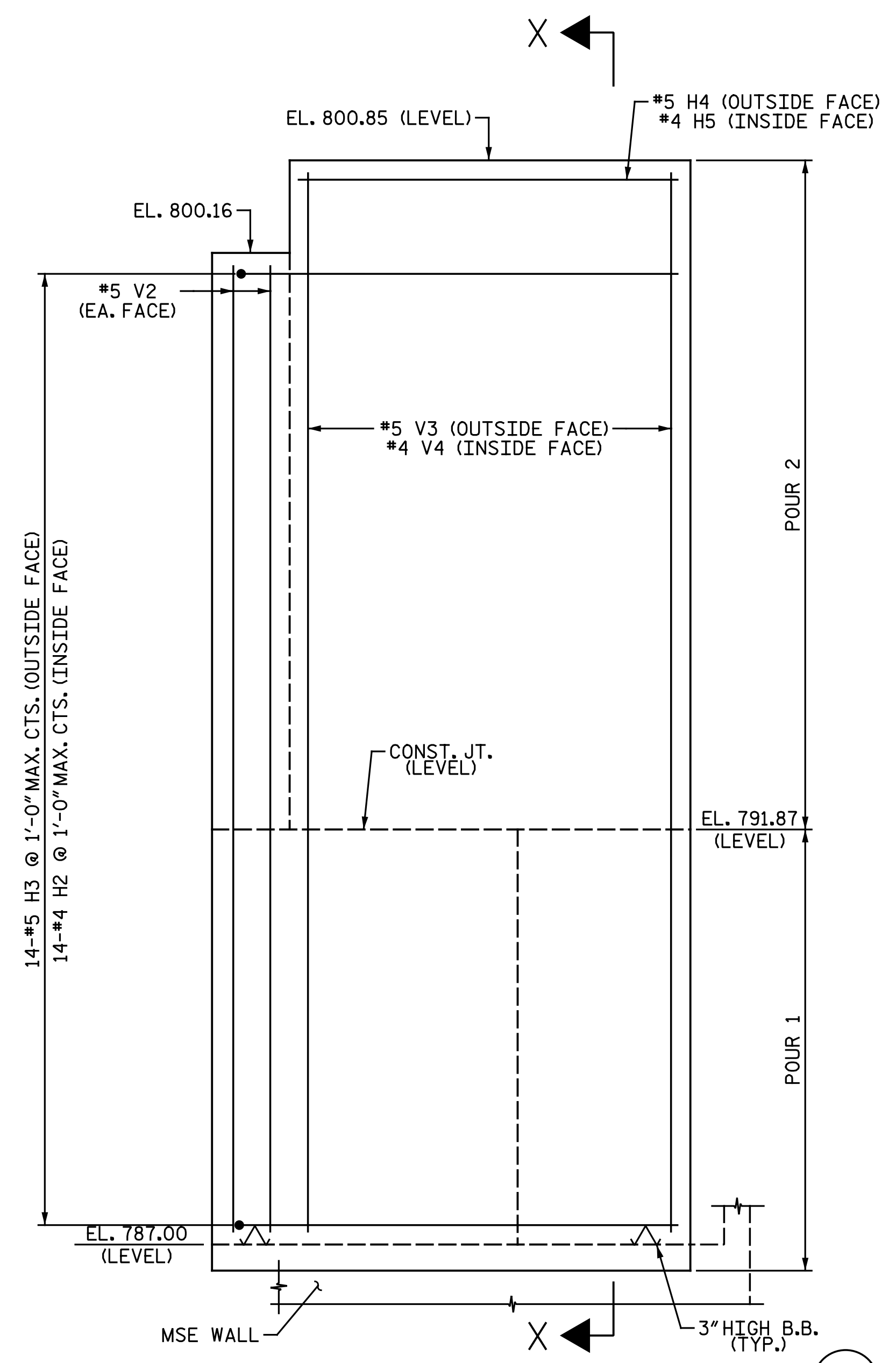


PLAN OF RIGHT CHEEK WALL (W2)

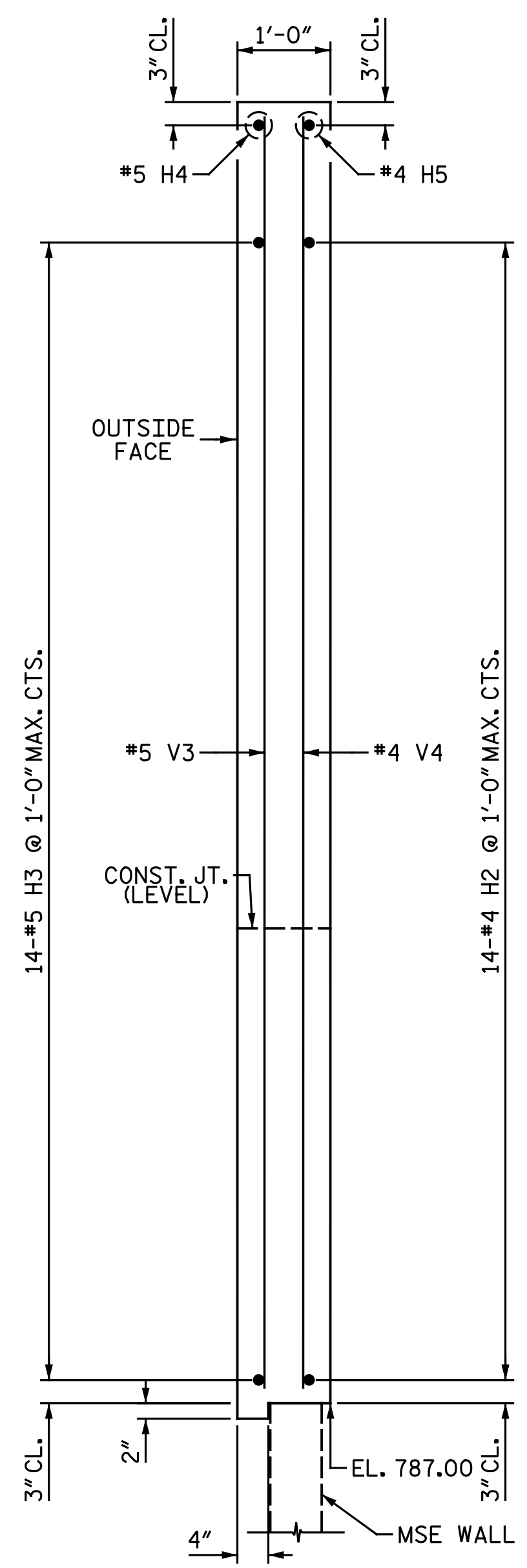
- (A) 6-#5 V3 @ 1'-0" MAX. CTS. (OUTSIDE FACE)
- (B) 6-#4 V4 @ 1'-0" MAX. CTS. (INSIDE FACE)



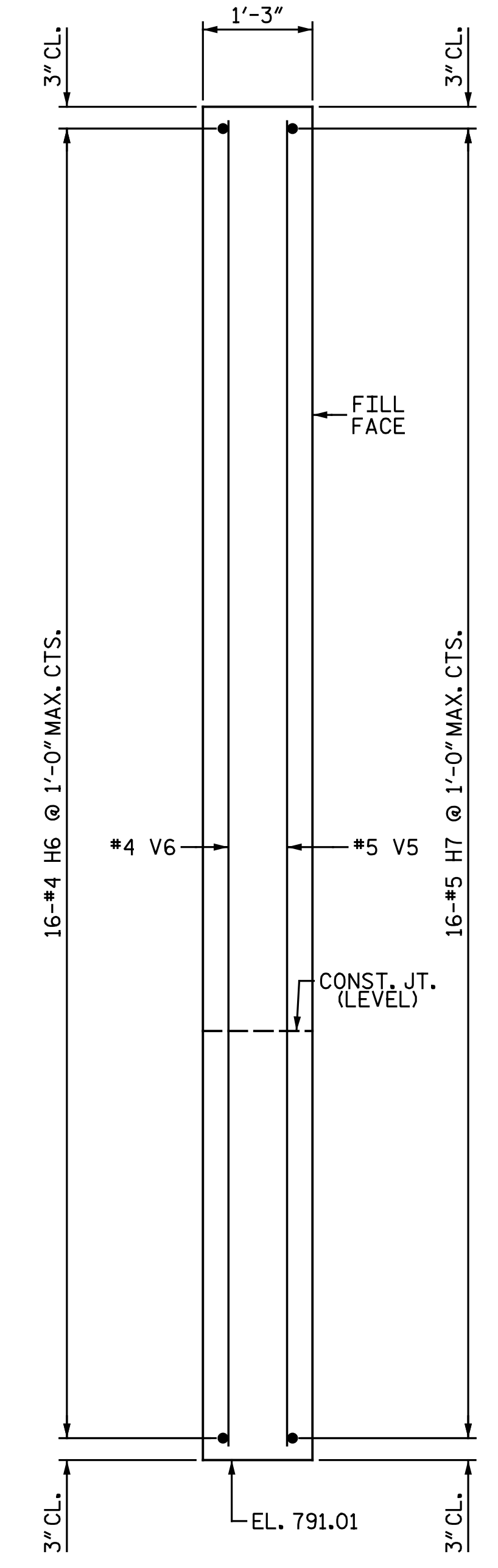
ELEVATION OF LEFT CHEEK WALL (W1)



ELEVATION OF RIGHT CHEEK WALL (W2)



SECTION X-X



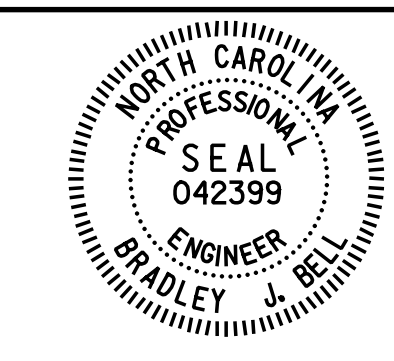
SECTION Y-Y

PROJECT NO. U-2524D
GUILFORD COUNTY
 STATION: 495+22.00 -LREV-
 SHEET 2 OF 2

nbspecks 7/18/2016 12:23:26 PM
 File name: Y:\Projects\NCDOT\U-2524D\Site-2\DWG\Right\Final\404_024_U2524D_SMLLE102.dgn

DRAWN BY: M. D. MAYHEW DATE: 2-8-16
 CHECKED BY: A. M. HOUSTON DATE: 3-25-16

DOCUMENT NOT CONSIDERED FINAL UNLESS ALL SIGNATURES COMPLETED



Designed by
 Bradley J. Bell
 7/18/2016

Michael Baker International
 Michael Baker Engineering
 8000 Regency Parkway, Suite 600
 Cary, North Carolina 27518
 NC License No.: F-1084

STATE OF NORTH CAROLINA
 DEPARTMENT OF TRANSPORTATION
 RALEIGH
 SUBSTRUCTURE
 END BENT 1
 RIGHT LANES

REVISIONS						SHEET NO.
NO.	BY:	DATE:	NO.	BY:	DATE:	S4-23
1			3			TOTAL SHEETS
2			4			35