

NOTES

LATERAL BRACING ASSEMBLY SHALL COMPLY WITH SECTION 1072 OF THE STANDARD SPECIFICATIONS.

ALL STRUCTURAL STEEL SHALL BE AASHTO M270 GRADE 50W OR APPROVED EQUAL.

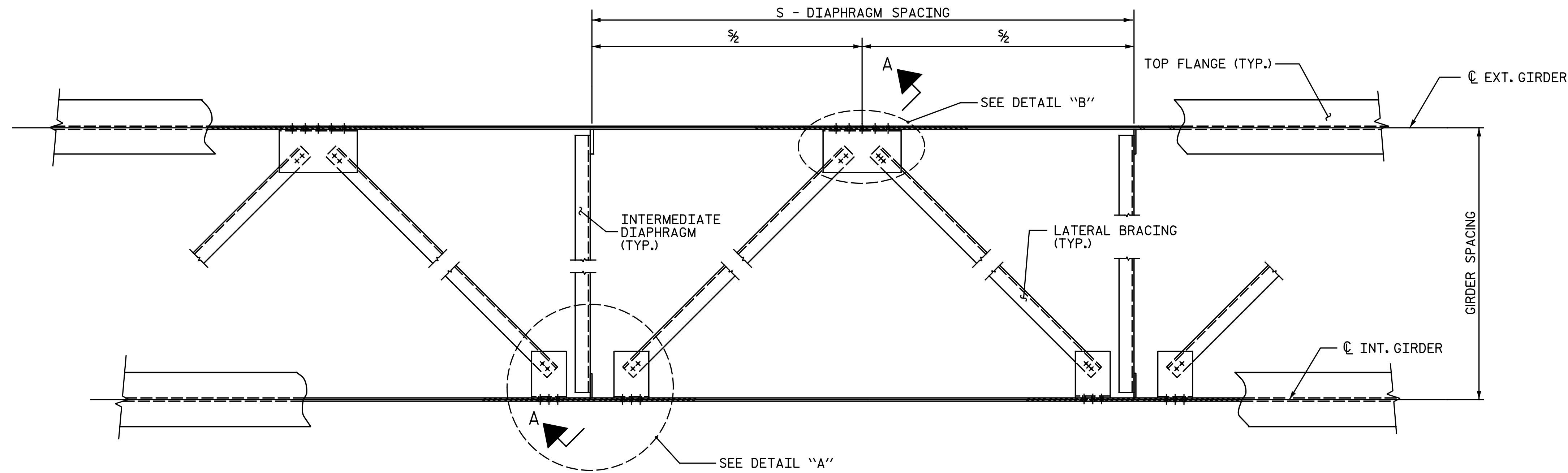
TENSION ON THE ASTM A325 BOLTS SHALL BE CALIBRATED USING DIRECT TENSION INDICATOR WASHERS IN ACCORDANCE WITH THE STANDARD SPECIFICATIONS.

ALL BOLTED CONNECTIONS SHALL BE 7/8" Ø HIGH STRENGTH BOLTS.

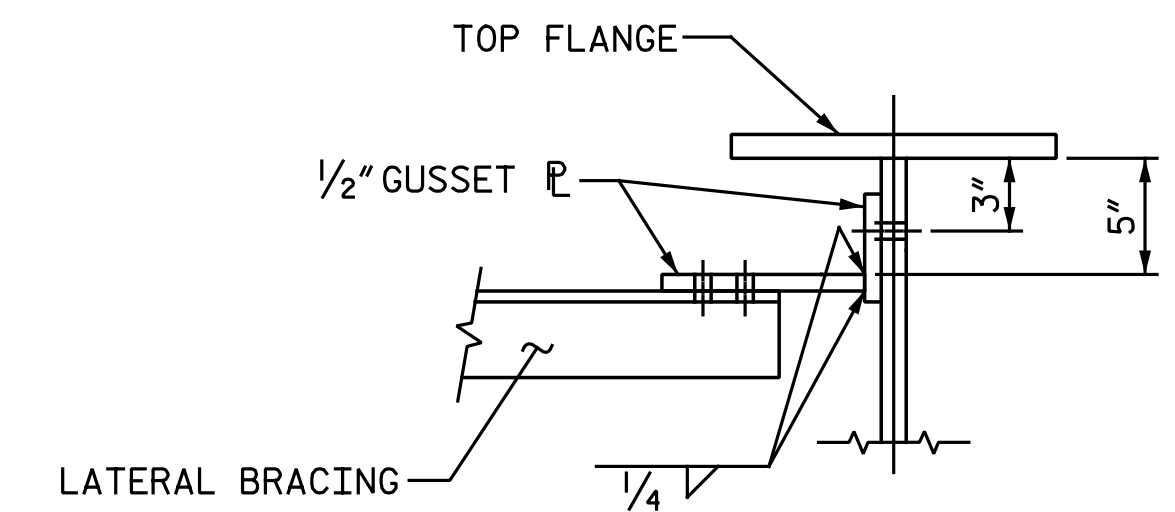
THE CONTRACTOR HAS THE OPTION TO CLIP THE PROTRUDING CORNERS OF THE GUSSET PLATES, AT NO ADDITIONAL COST TO THE DEPARTMENT.

BENT GUSSET PLATES OR ROLLED ANGLE SHAPES MAY BE SUBSTITUTED FOR THE WELDED GUSSET PLATES DETAILED IF APPROVED BY THE ENGINEER, AT NO ADDITIONAL COST TO THE DEPARTMENT.

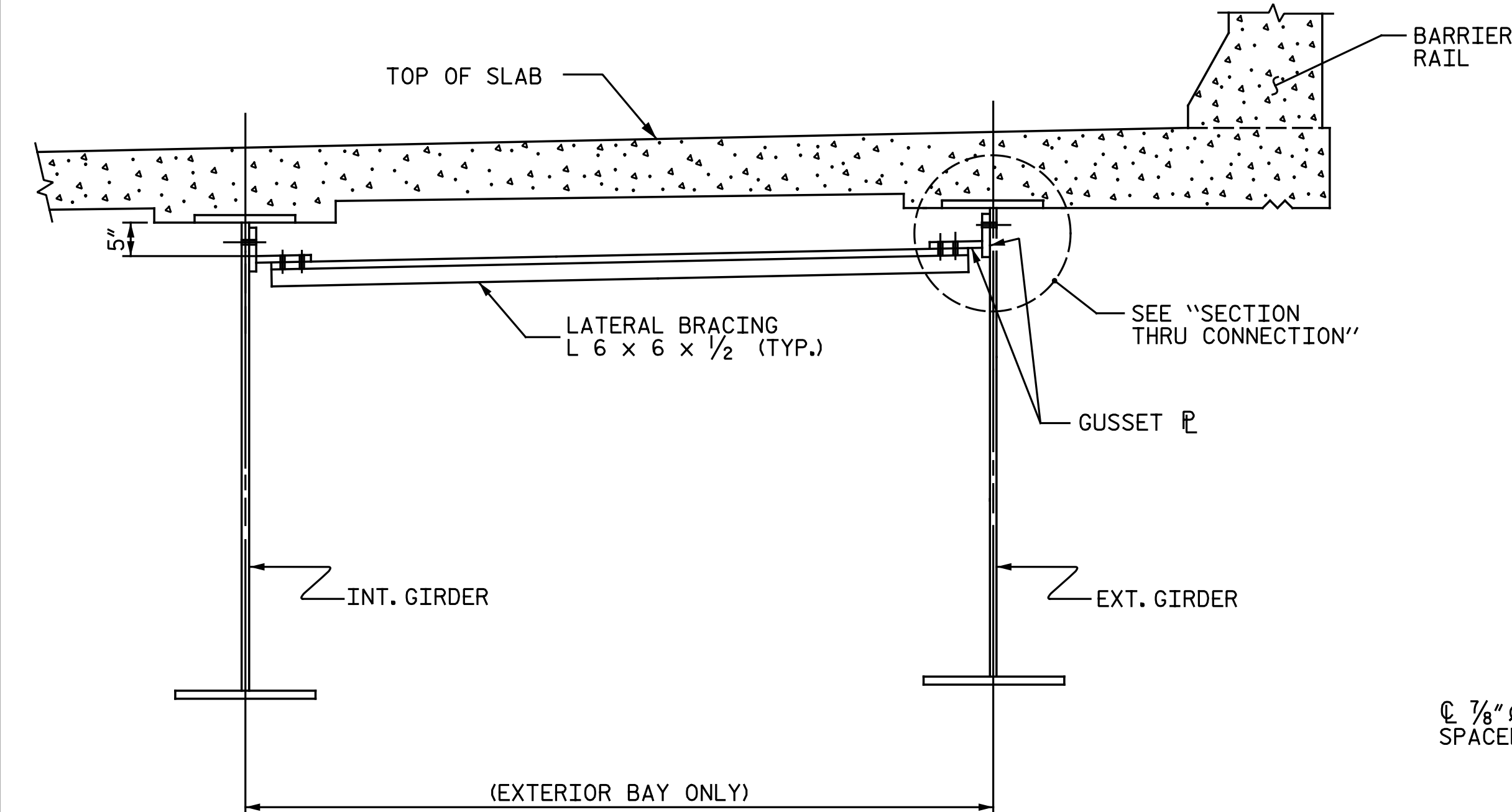
INSTALL THE LATERAL BRACING AFTER ERECTING THE EXTERIOR GIRDER AND THE ADJACENT INTERIOR GIRDER AND INSTALLING THE INTERMEDIATE DIAPHRAGMS.



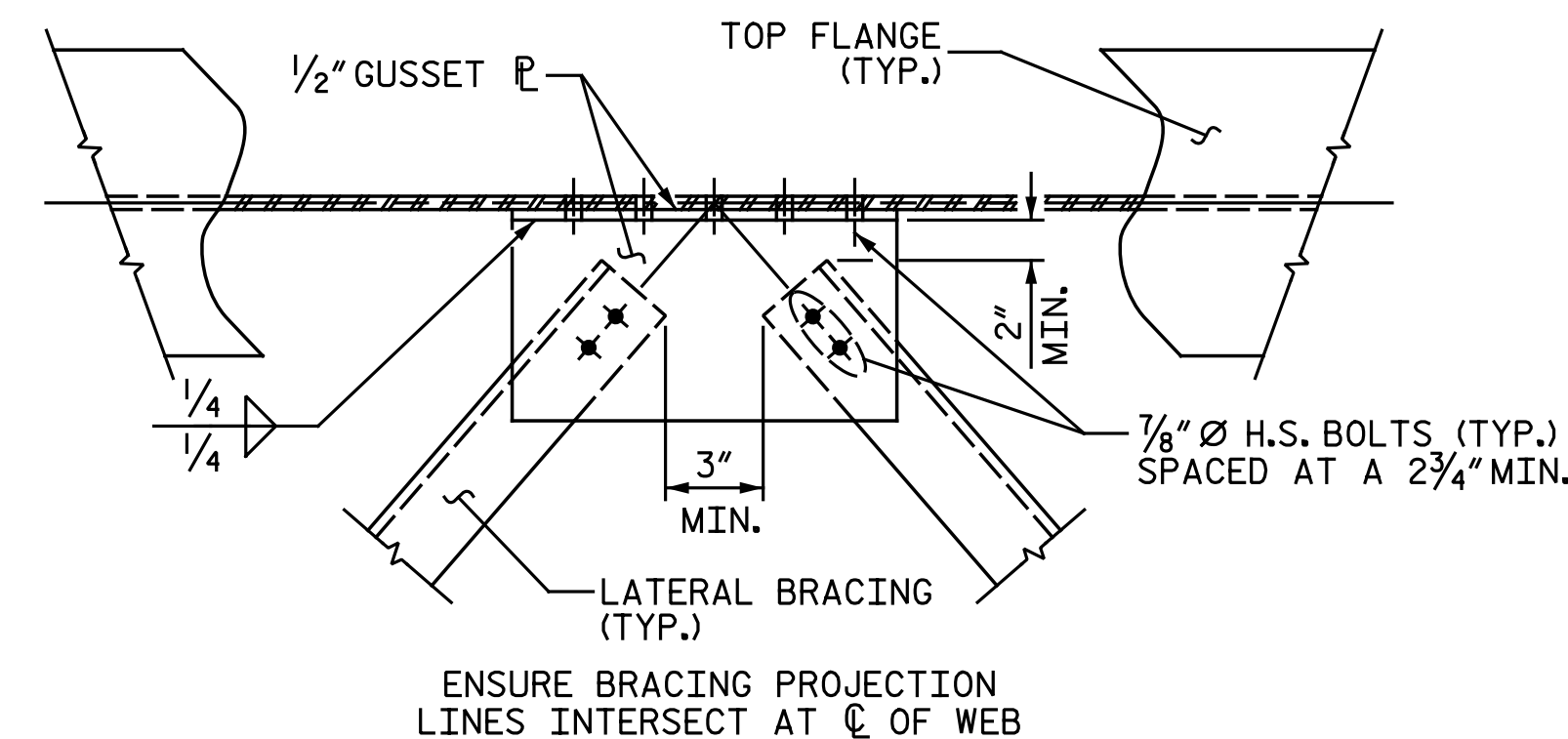
PART PLAN - NEAR TOP FLANGE LATERAL BRACING
(THROUGHOUT EXTERIOR BAYS ONLY)



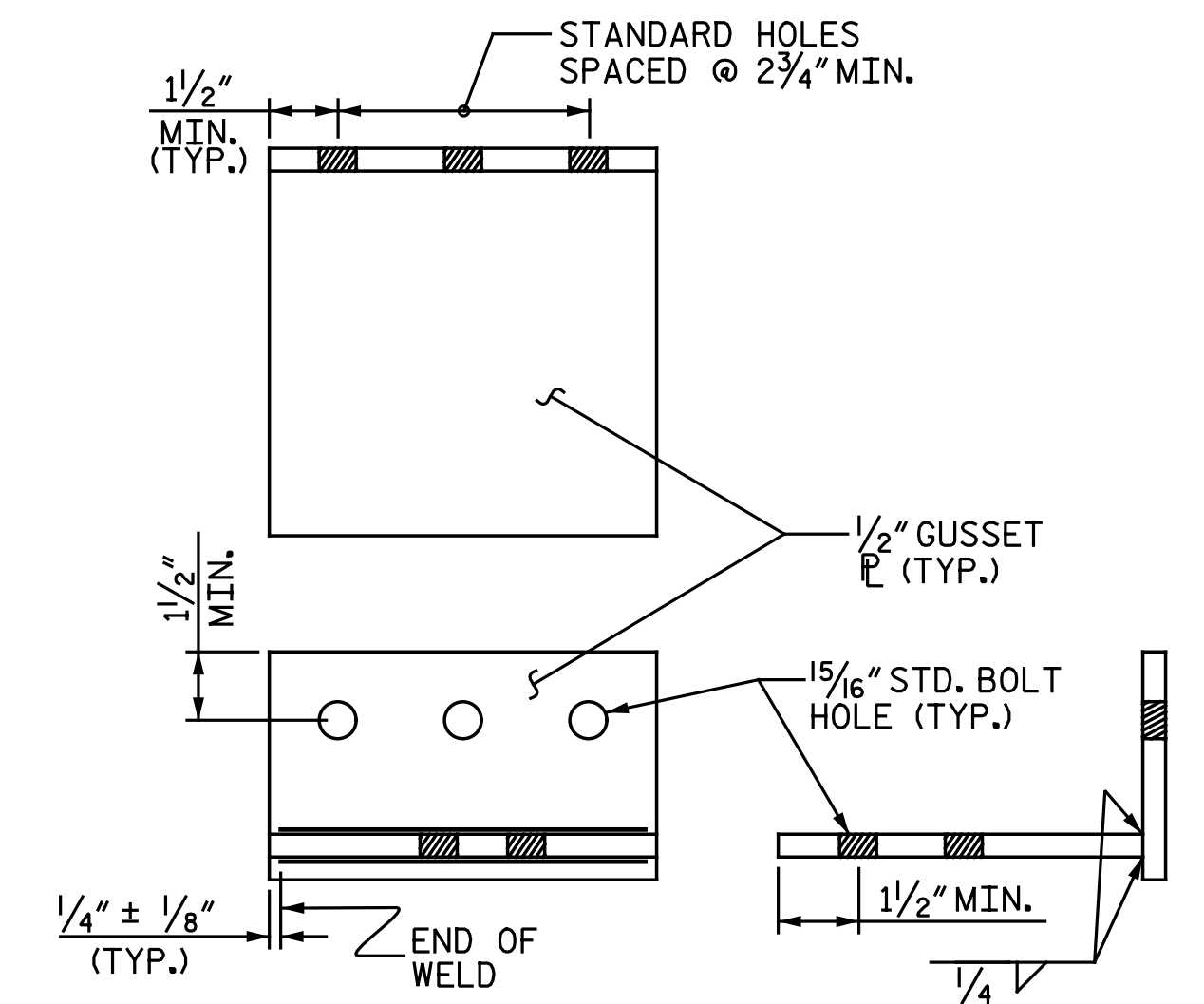
SECTION THRU CONNECTION



SECTION A-A

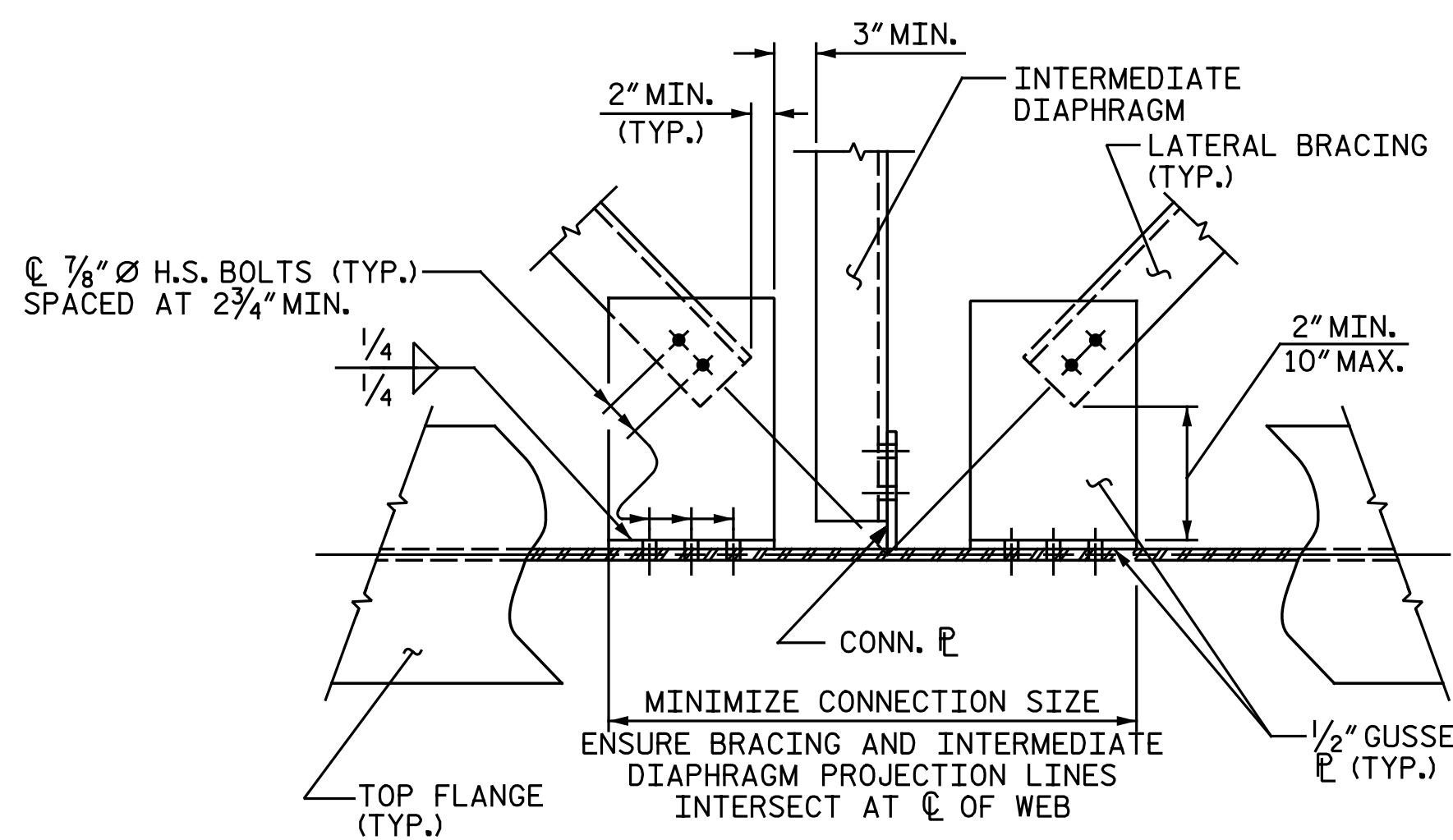


DETAIL "B"



CONNECTION DETAIL

PROJECT NO. U-2524D
GUILFORD COUNTY
STATION: 495+22.00 -LREV-



DETAIL "A"

DETAIL AT END DIAPHRAGM SIMILAR.
MAINTAIN 3" MIN. CL. BETWEEN CONCRETE DIAPHRAGM AND GUSSET PLATE.

DOCUMENT NOT CONSIDERED FINAL UNLESS ALL SIGNATURES COMPLETED			STATE OF NORTH CAROLINA DEPARTMENT OF TRANSPORTATION RALEIGH STANDARD LATERAL BRACING RIGHT LANES		SHEET NO. S4-13	
	Michael Baker Engineering 8000 Regency Parkway, Suite 600 Cary, North Carolina 27518 NC License No.: F-1084		REVISIONS		TOTAL SHEETS 35	
	NO.	BY:	DATE:	NO.	BY:	DATE:
	1			3		
2			4			

nbspecks 12:23:16 PM 7/18/2016
 File name: Y:\Projects\NCDDOT\U-2524D\Site-2\DWG\Right\Final\404_014_U2524D_SML_S503.dgn

ASSEMBLED BY: M. D. MAYHEW	ADDED: 11-30-15
CHECKED BY: B. J. BELL	ADDED: 3-21-16
DRAWN BY: WMC 6/11	ADDED: 10/31/11
CHECKED BY: GM 6/11	