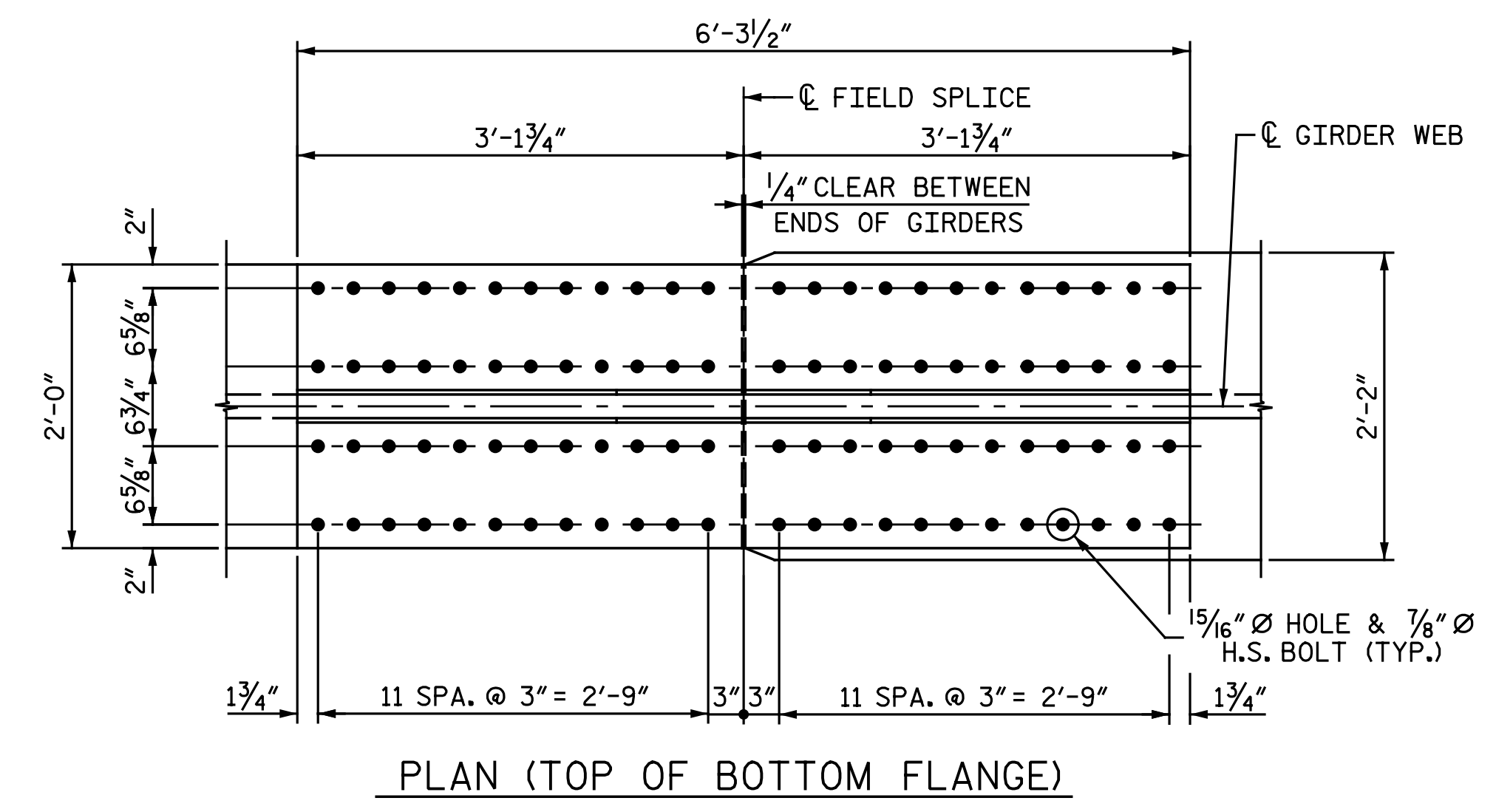
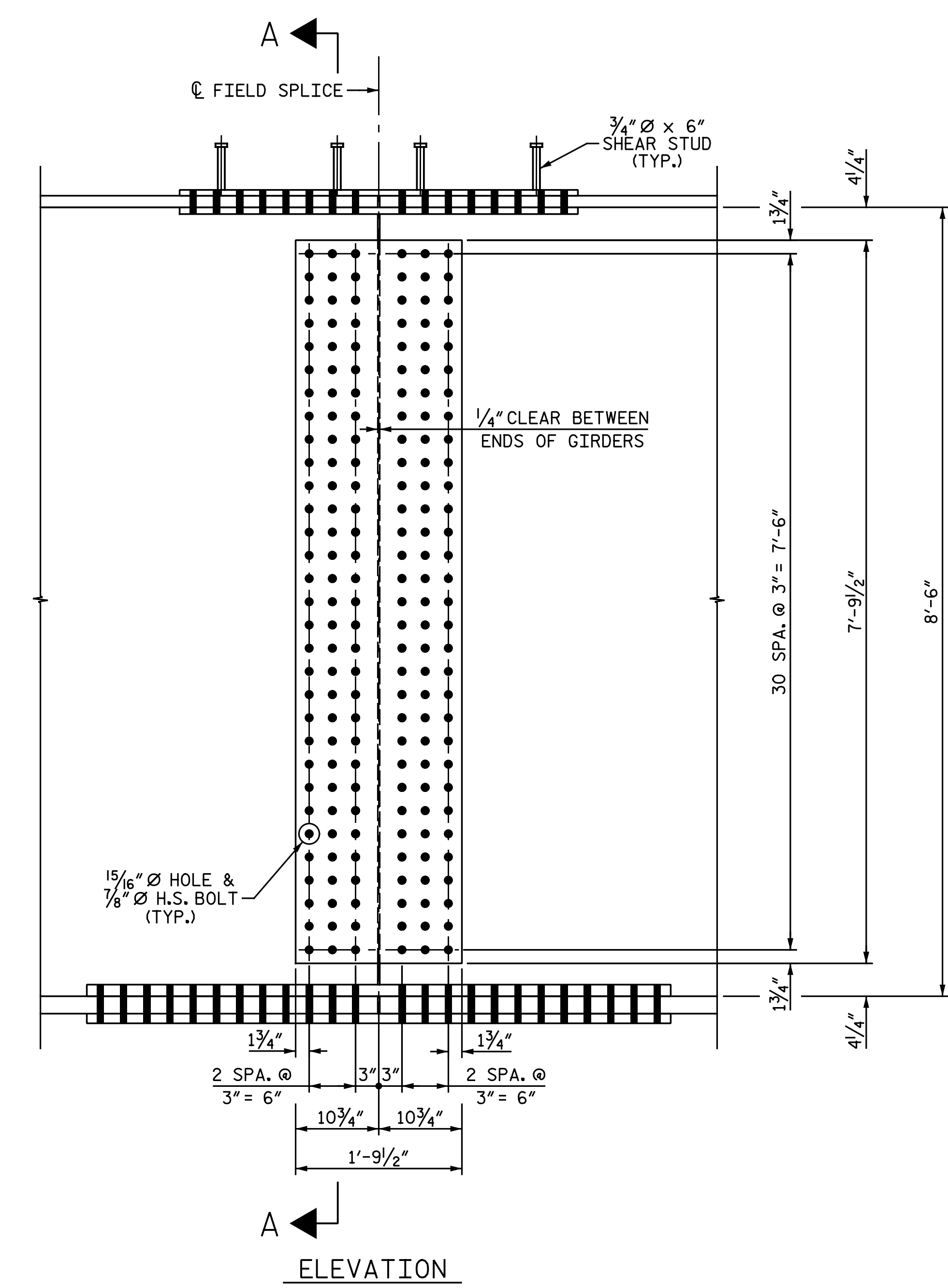


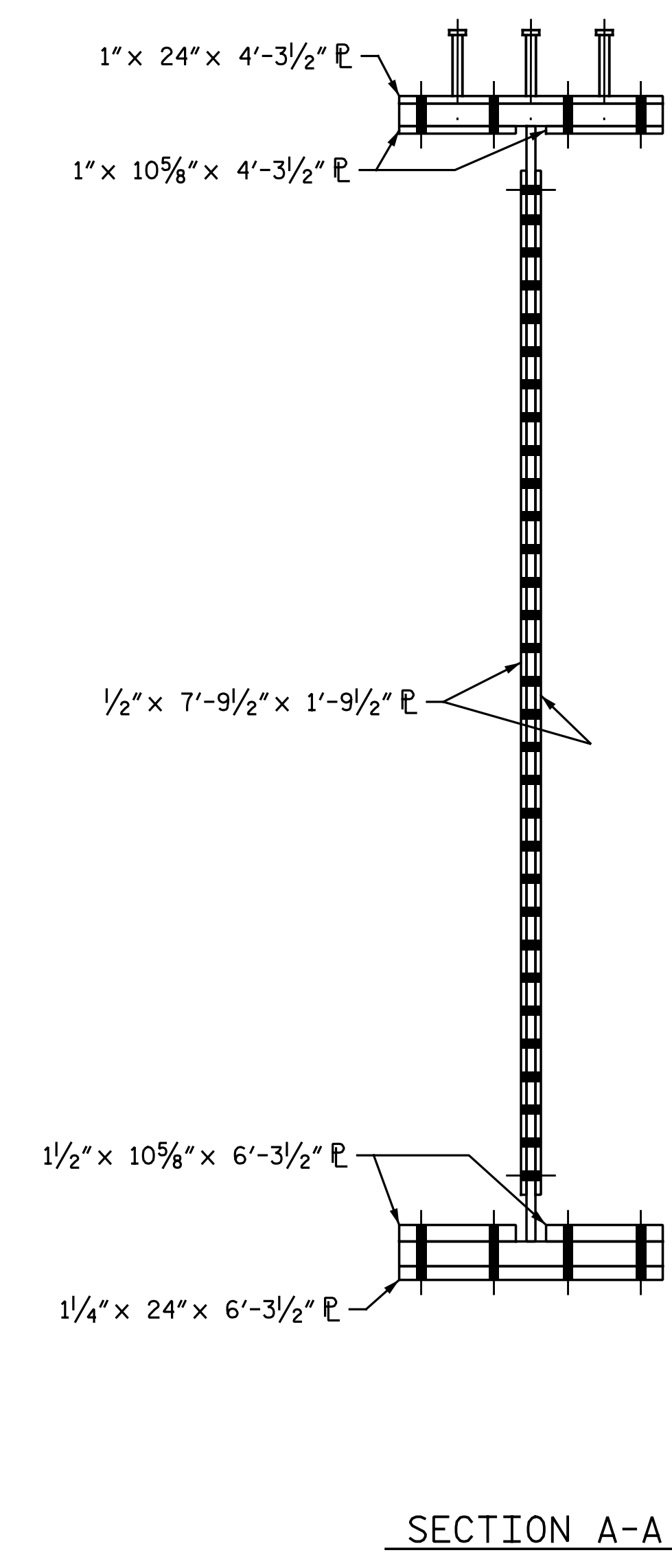
PLAN (TOP OF TOP FLANGE)



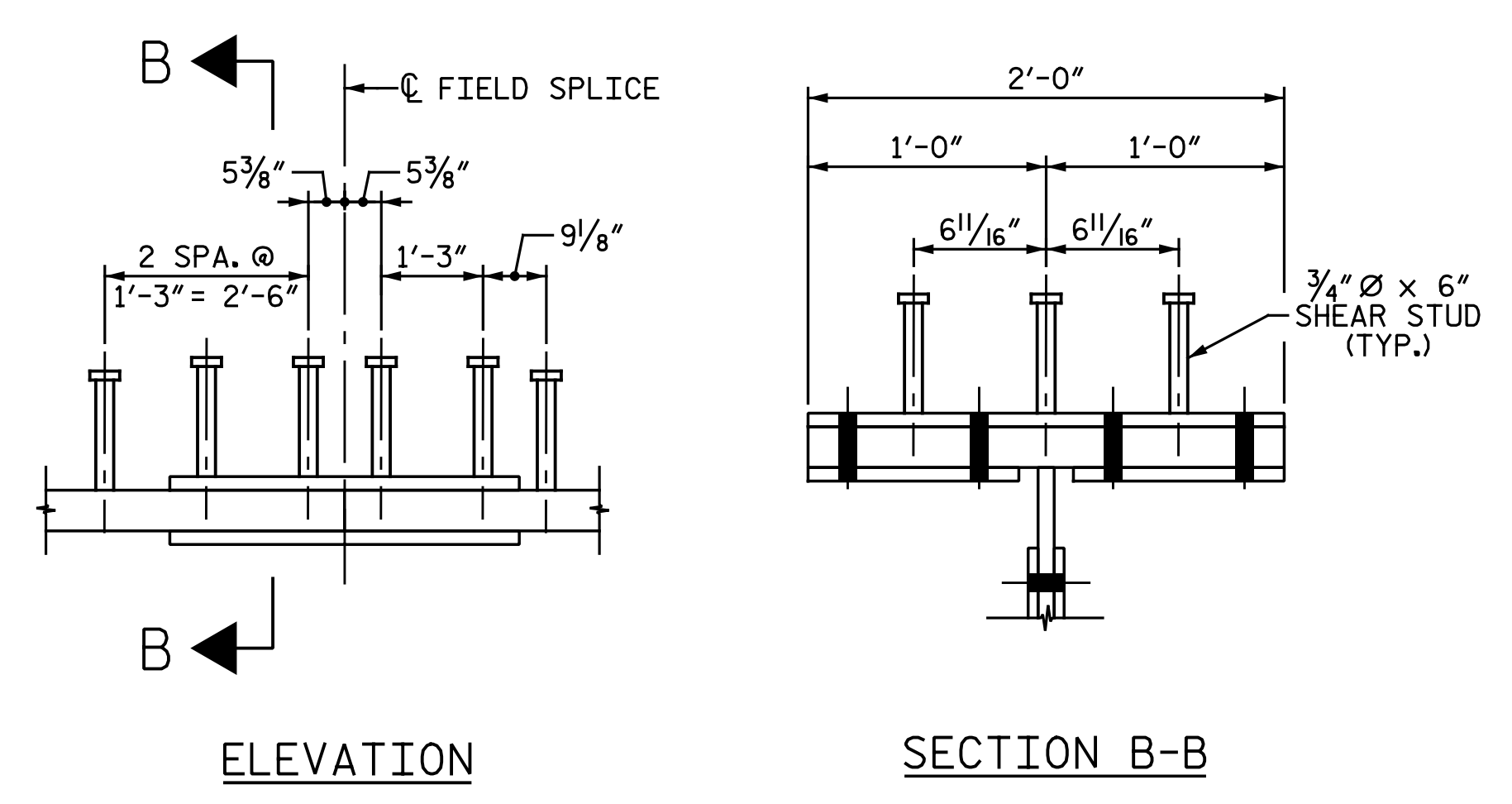
PLAN (TOP OF BOTTOM FLANGE)



ELEVATION



SECTION A-A



ELEVATION

SECTION B-B

SHIELD STUD DETAIL FOR TOP FLANGE SPLICE PLATE

PROJECT NO. U-2524D
 GUILFORD COUNTY
 STATION: 495+22.00 -LREV-
 SHEET 2 OF 2

nbspecks 12:23:15 PM 7/18/2016
 File name: Y:\Projects\NCDOT\U-2524D\Site-2\DWG\Right\Final\404_013_U2524D_SML_SS02.dgn

DRAWN BY: M. D. MAYHEW DATE: 2-2-16
 CHECKED BY: B. J. BELL DATE: 2-2-16

BOLTED FIELD SPLICE DETAILS
 (F. S. NO. 1 SHOWN, F. S. NO. 2 OPPOSITE)

| | | | | | |
|---|-----------|-----|---|-----|--------------------|
| DOCUMENT NOT CONSIDERED FINAL UNLESS ALL SIGNATURES COMPLETED | | | STATE OF NORTH CAROLINA DEPARTMENT OF TRANSPORTATION RALEIGH SUPERSTRUCTURE STRUCTURAL STEEL DETAILS RIGHT LANES | | SHEET NO. S4-12 |
| | REVISIONS | | | | TOTAL SHEETS 35 |
| | NO. | BY: | DATE: | NO. | |
| 1 | | | 3 | | |
| 2 | | | 4 | | |

Michael Baker International
 Michael Baker Engineering
 8000 Regency Parkway, Suite 600
 Cary, North Carolina 27518
 NC License No.: F-1084