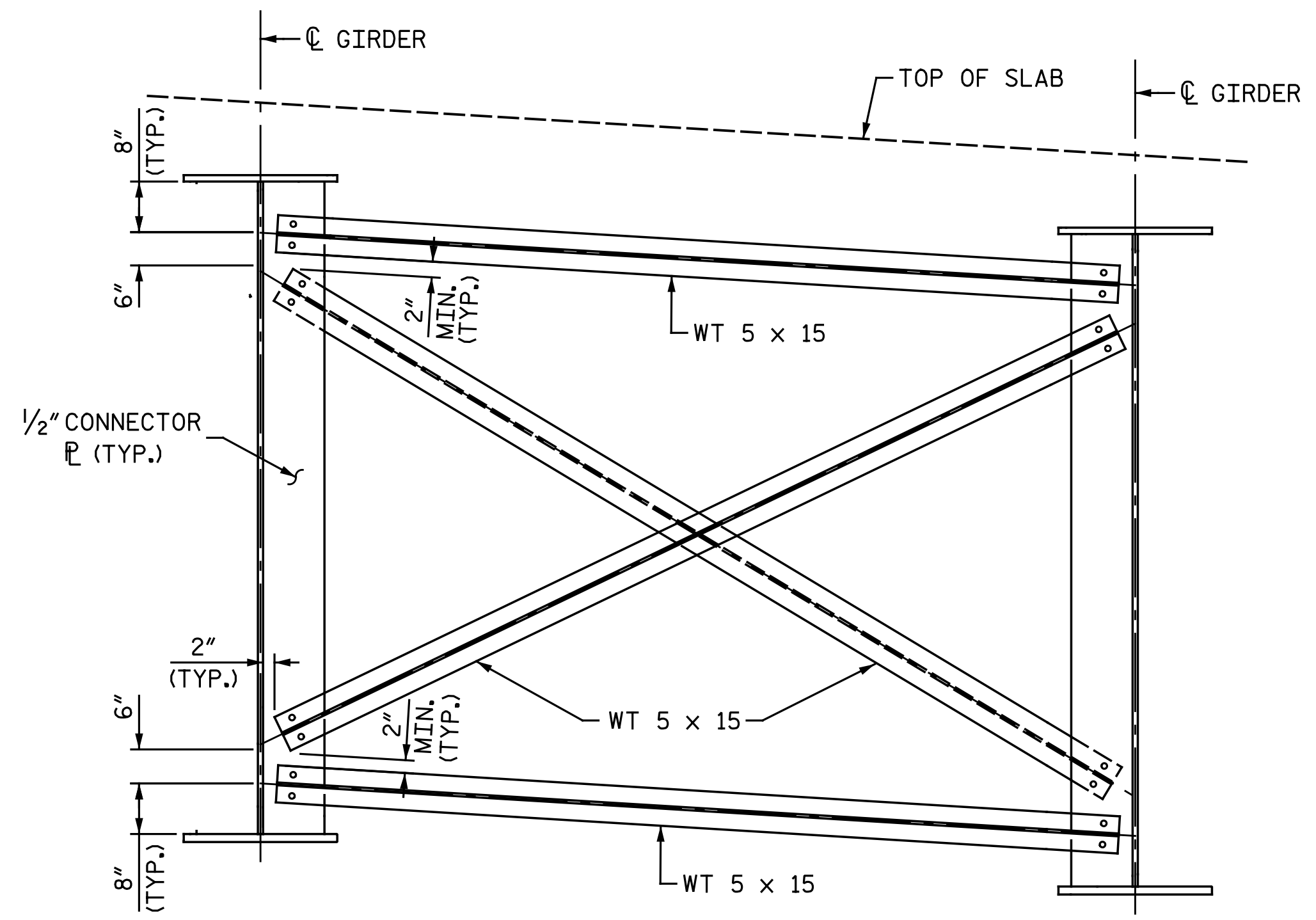
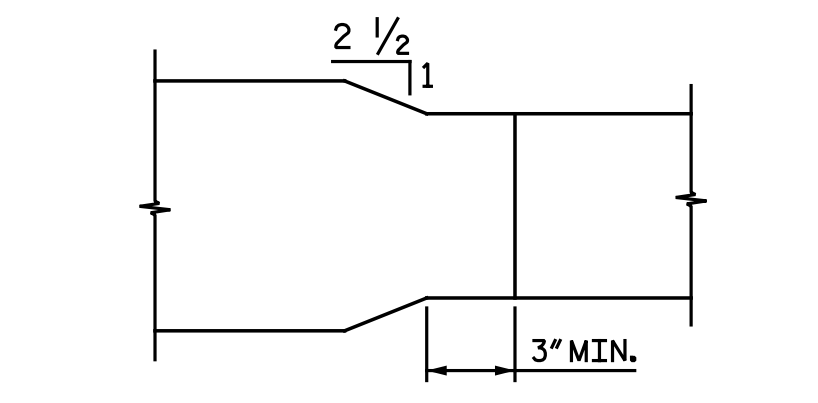


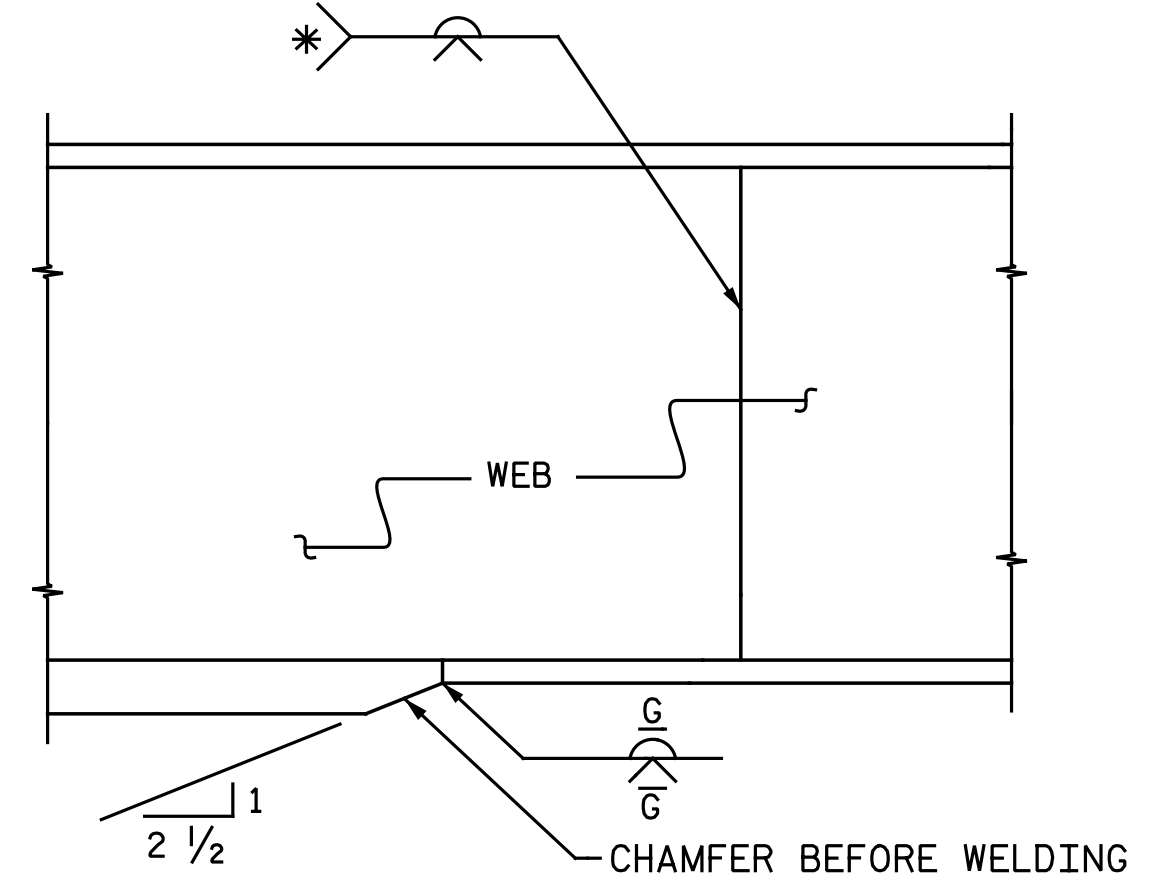
END BENT DIAPHRAGM (D1)



INTERMEDIATE DIAPHRAGM (D2)



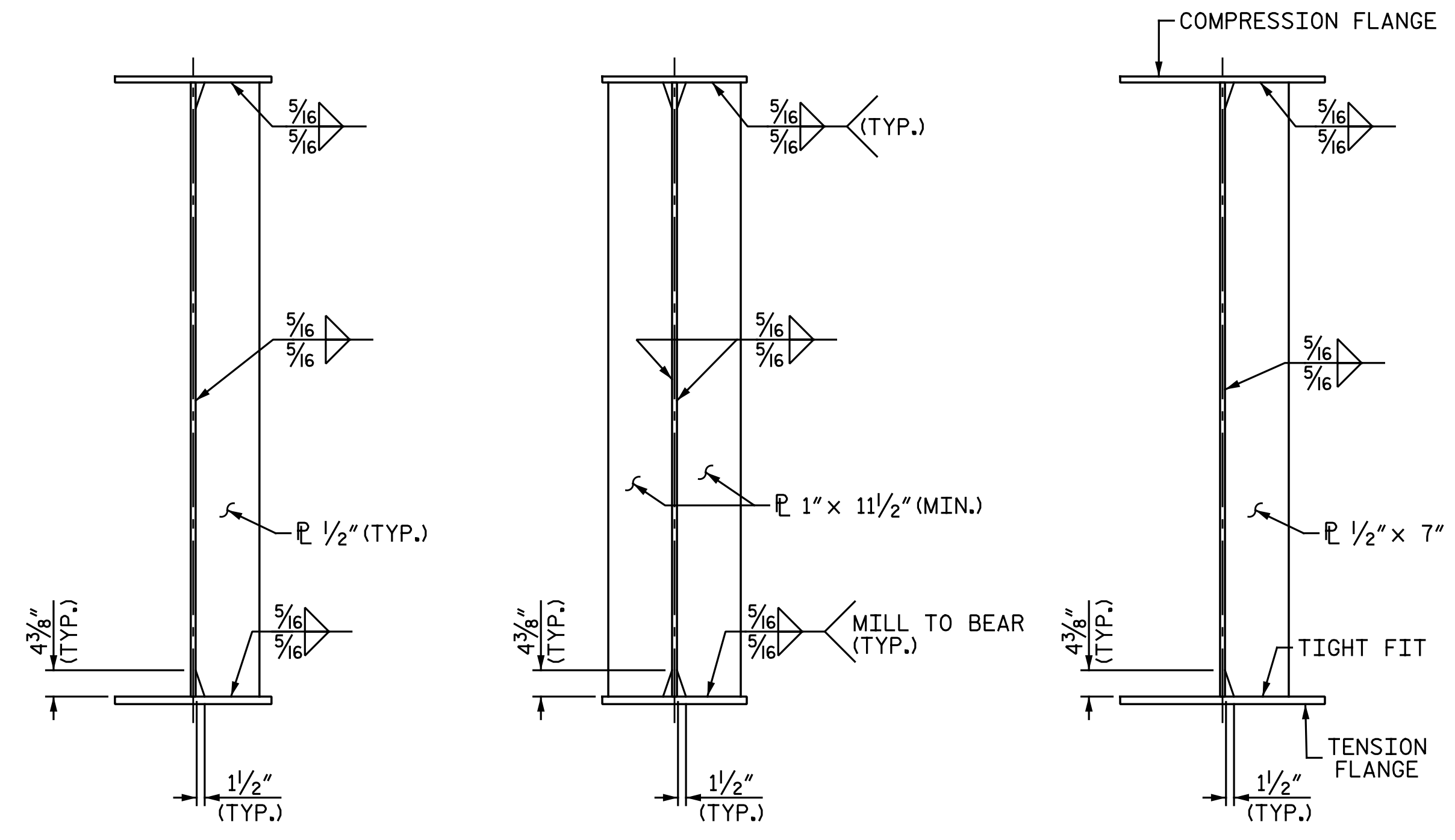
PLAN - FLANGE SPLICE



ELEVATION

TYPICAL FLANGE AND WEB BUTT JOINT

* GRIND SMOOTH AND FLUSH ON OUTER FACE OF EXTERIOR BEAMS /GIRDERS

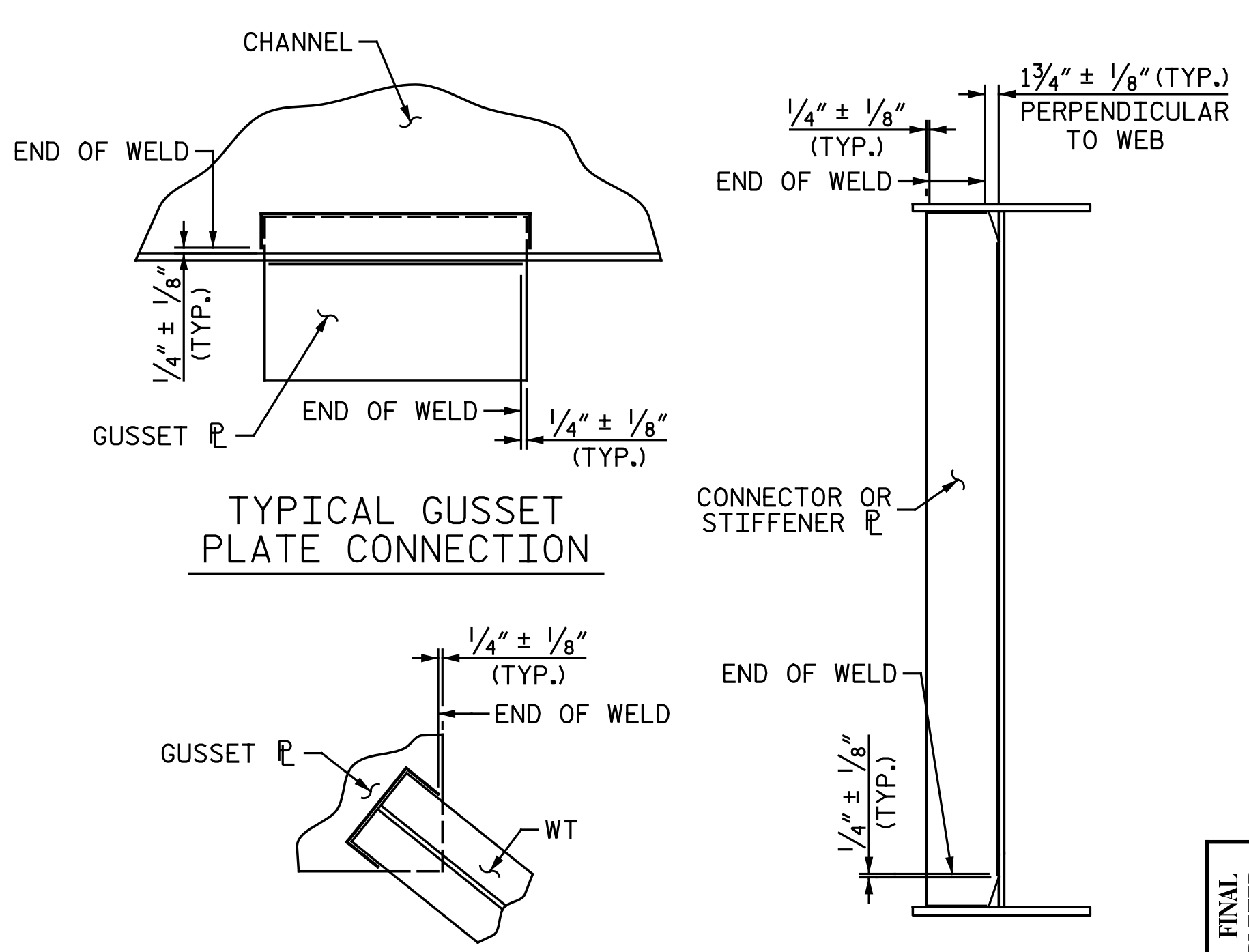


INTERMEDIATE DIAPHRAGM CONNECTOR

BEARING STIFFENER

BEARING STIFFENER MAY REQUIRE COPING IF WIDER THAN BOTTOM FLANGE

TRANSVERSE STIFFENER

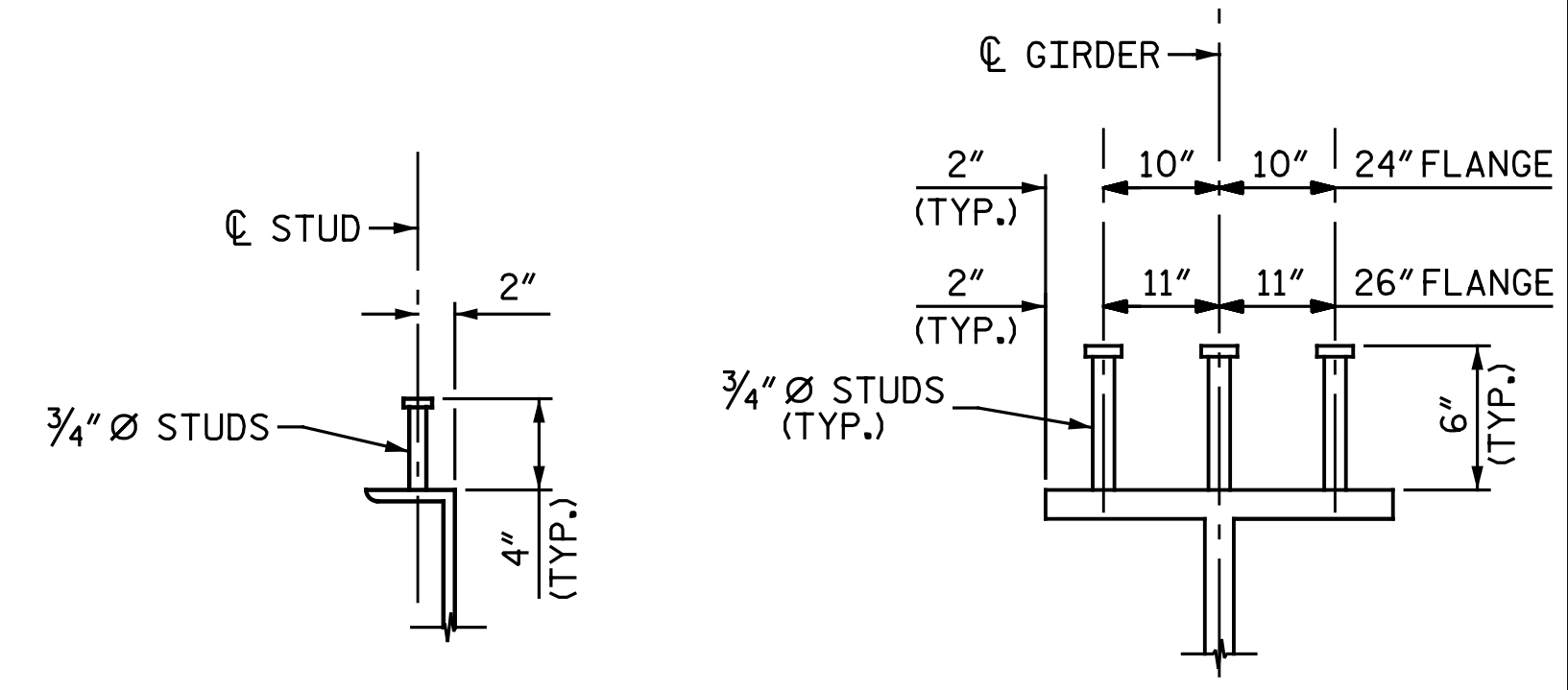


TYPICAL GUSSET PLATE CONNECTION

TYPICAL "TEE" TO GUSSET PLATE CONNECTION

TYPICAL STIFFENER OR CONNECTOR PLATE CONNECTION

WELD TERMINATION DETAILS



DIAPHRAGM SHEAR CONNECTORS

GIRDER SHEAR CONNECTORS

SHEAR CONNECTOR DETAILS

PROJECT NO. U-2524D
 GUILFORD COUNTY
 STATION: 495+22.00 -LREV-
 SHEET 1 OF 2

nbspecks 7/18/2016 12:23:14 PM
 File name: Y:\Projects\NC DOT\U-2524D\Site-2\DWG\Right\Final\404_012_U2524D_SML_S01.dgn

DRAWN BY: M. D. MAYHEW DATE: 11-6-15
 CHECKED BY: B. J. BELL DATE: 3-23-16

DOCUMENT NOT CONSIDERED FINAL UNLESS ALL SIGNATURES COMPLETED		STATE OF NORTH CAROLINA DEPARTMENT OF TRANSPORTATION RALEIGH		SHEET NO. S4- 11 TOTAL SHEETS 35	
		SUPERSTRUCTURE STRUCTURAL STEEL DETAILS			
		RIGHT LANES			
REVISIONS					
NO.	BY:	DATE:	NO.	BY:	DATE:
1			3		
2			4		

Michael Baker International
 Michael Baker Engineering
 8000 Regency Parkway, Suite 600
 Cary, North Carolina 27518
 NC License No.: F-1084