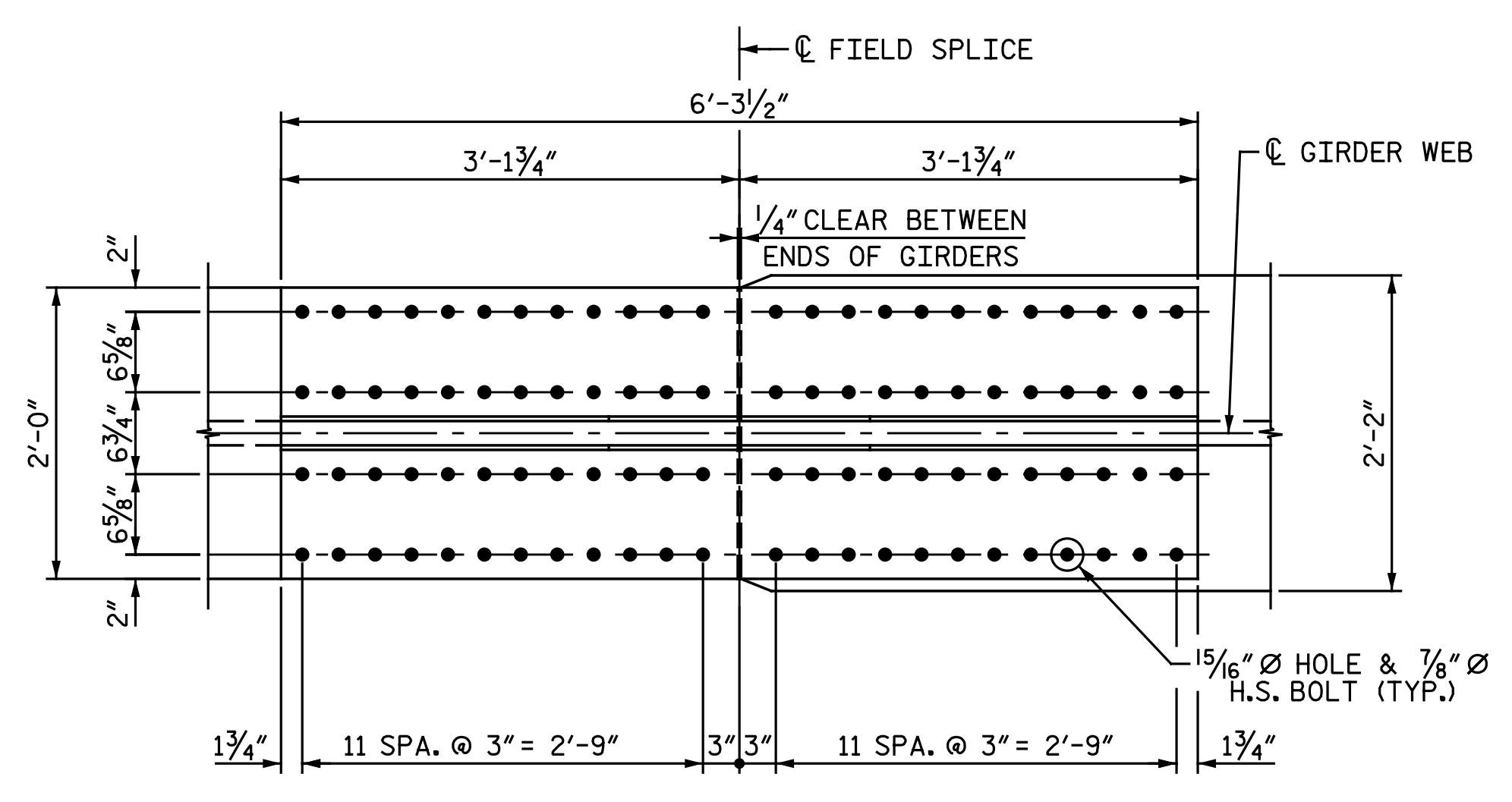
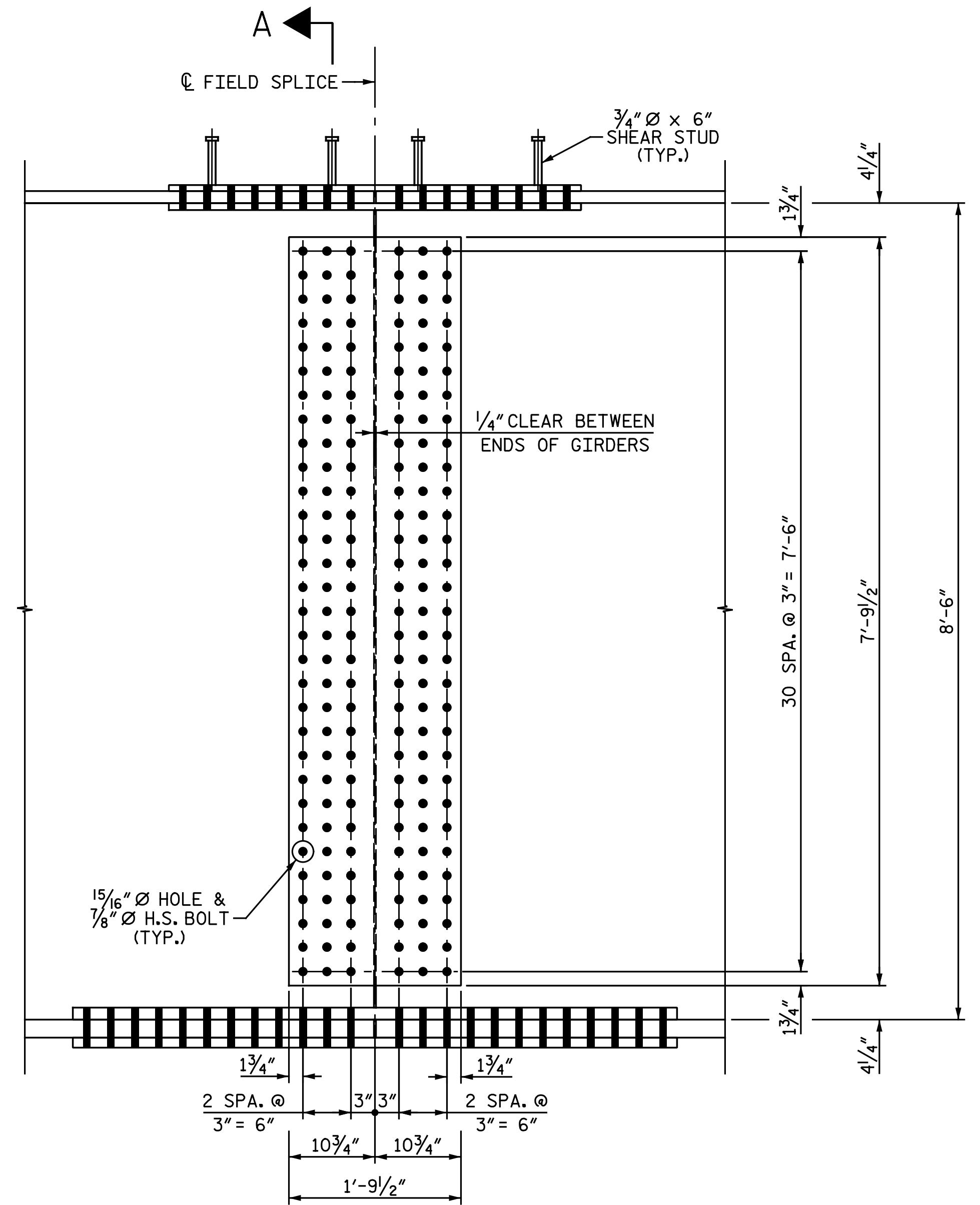


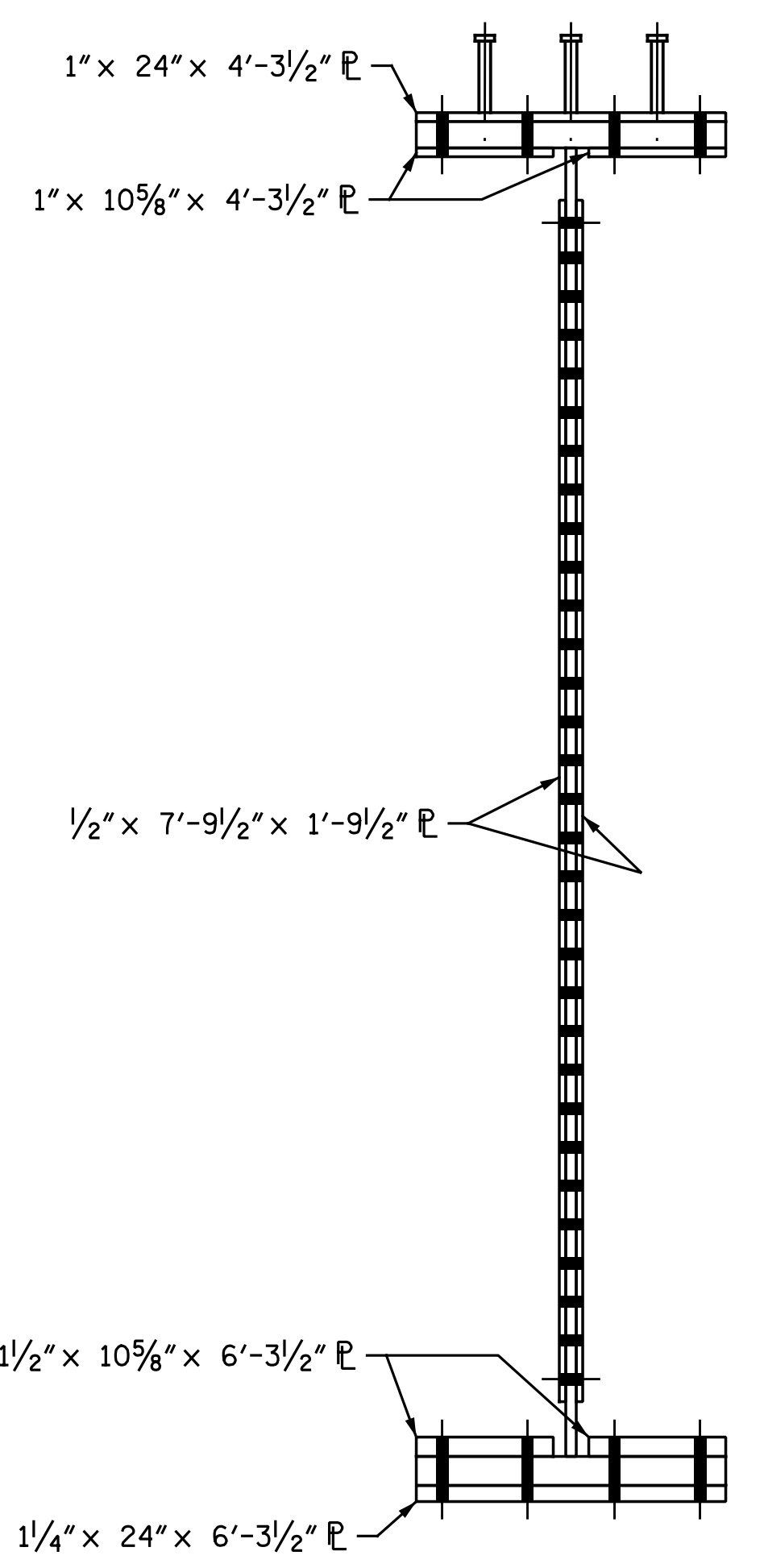
PLAN (TOP OF TOP FLANGE)



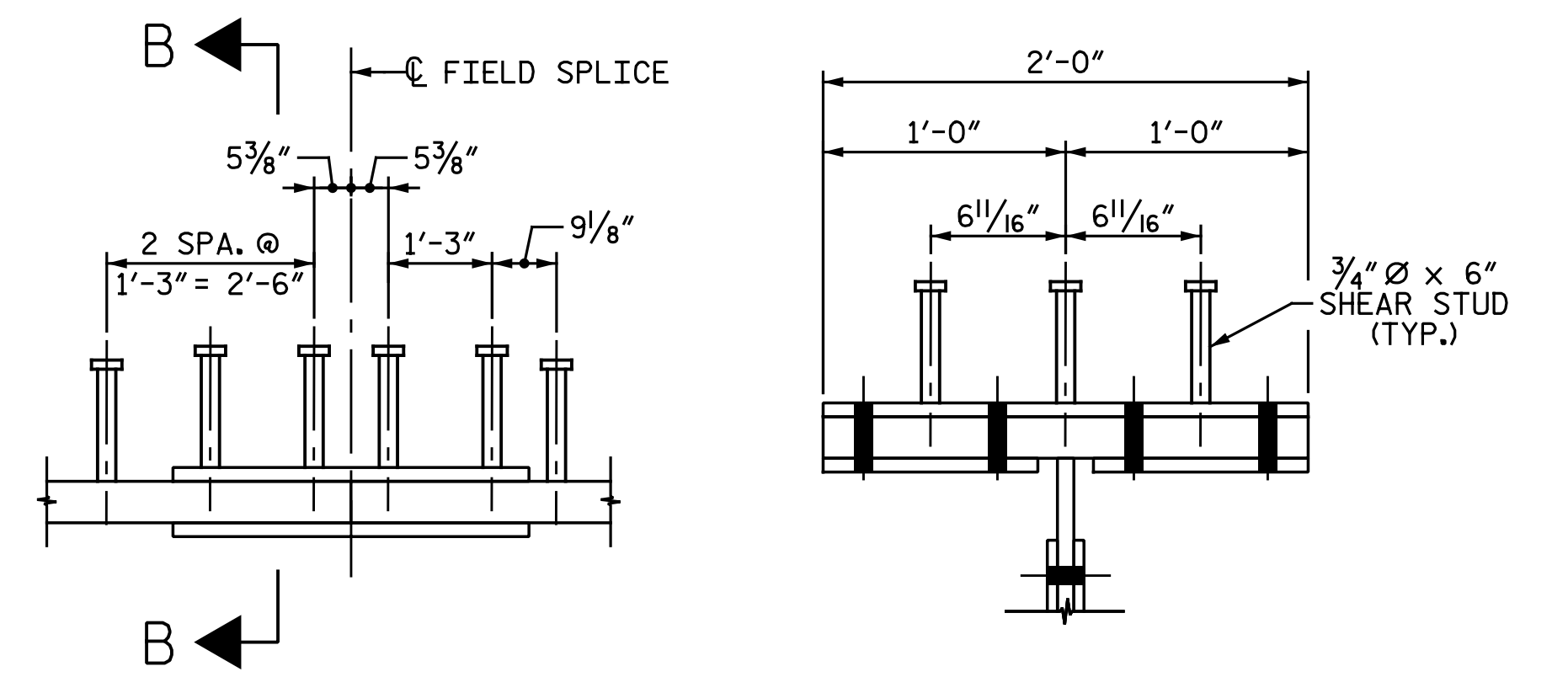
PLAN (TOP OF BOTTOM FLANGE)



ELEVATION



SECTION A-A



ELEVATION

SECTION B-B

SHEAR STUD DETAIL
 FOR TOP FLANGE SPLICE PLATE

PROJECT NO. U-2524D
GUILFORD COUNTY
 STATION: 495+22.00 -LREV-
 SHEET 2 OF 2

onayhew 5/17/2016 5:18:19 PM
 File Name: Y:\Projects\NCDOT\U-2524D\Site-2\DWG\Left\Final\403.013.U2524D_SMU_S502.dgn

DRAWN BY : M. D. MAYHEW DATE : 2-2-16
 CHECKED BY : B. J. BELL DATE : 3-23-16

BOLTED FIELD SPLICE DETAILS
 (F. S. NO. 1 SHOWN, F. S. NO. 2 OPPOSITE)

DOCUMENT NOT CONSIDERED FINAL UNLESS ALL SIGNATURES COMPLETED			STATE OF NORTH CAROLINA DEPARTMENT OF TRANSPORTATION RALEIGH SUPERSTRUCTURE STRUCTURAL STEEL DETAILS LEFT LANES		SHEET NO. S3-12
	Michael Baker Engineering 8000 Regency Parkway, Suite 600 Cary, North Carolina 27518 NC License No.: F-1084				TOTAL SHEETS 35
	REVISIONS				
NO.	BY:	DATE:	NO.	BY:	DATE:
1			3		
2			4		