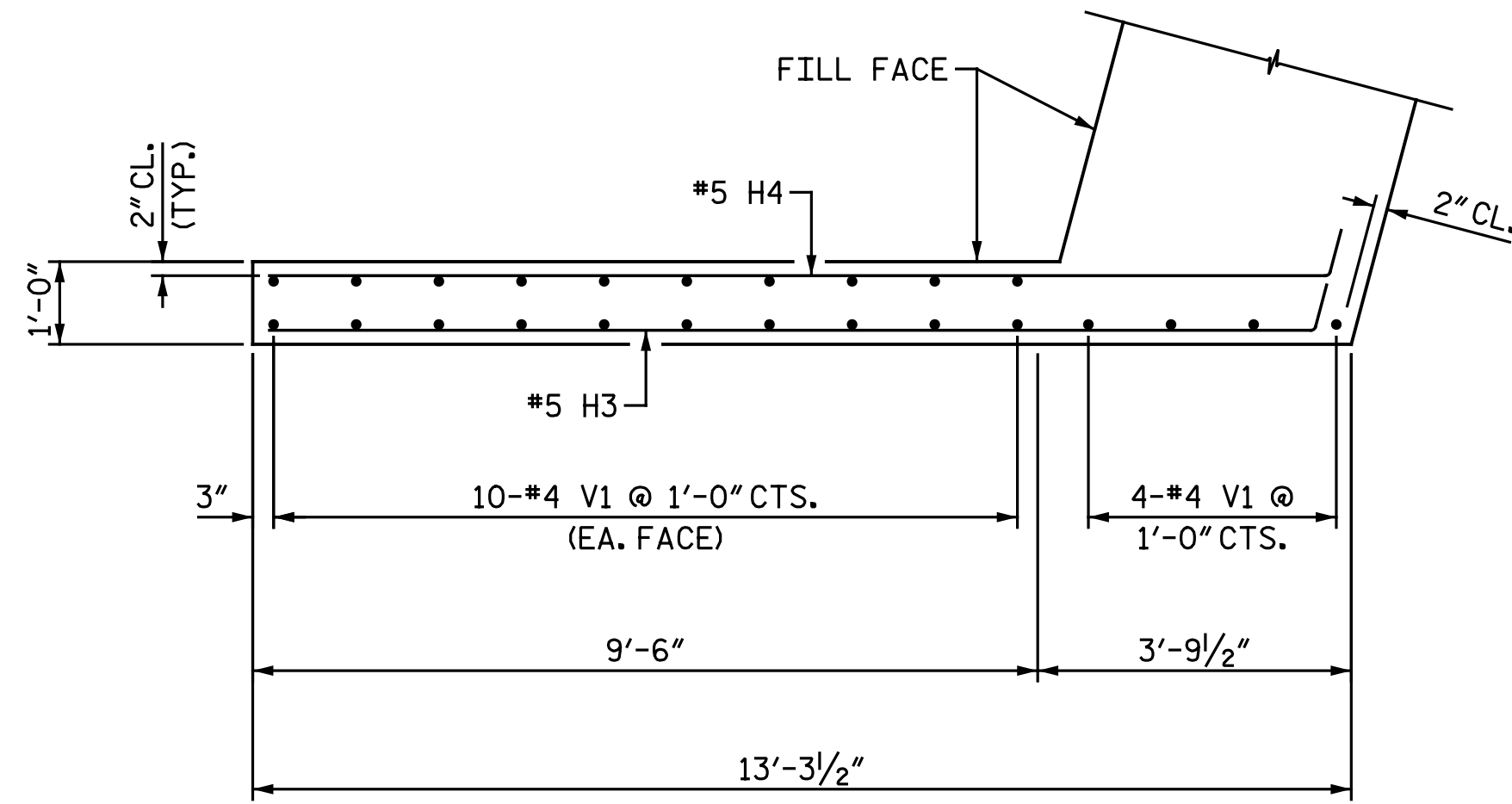
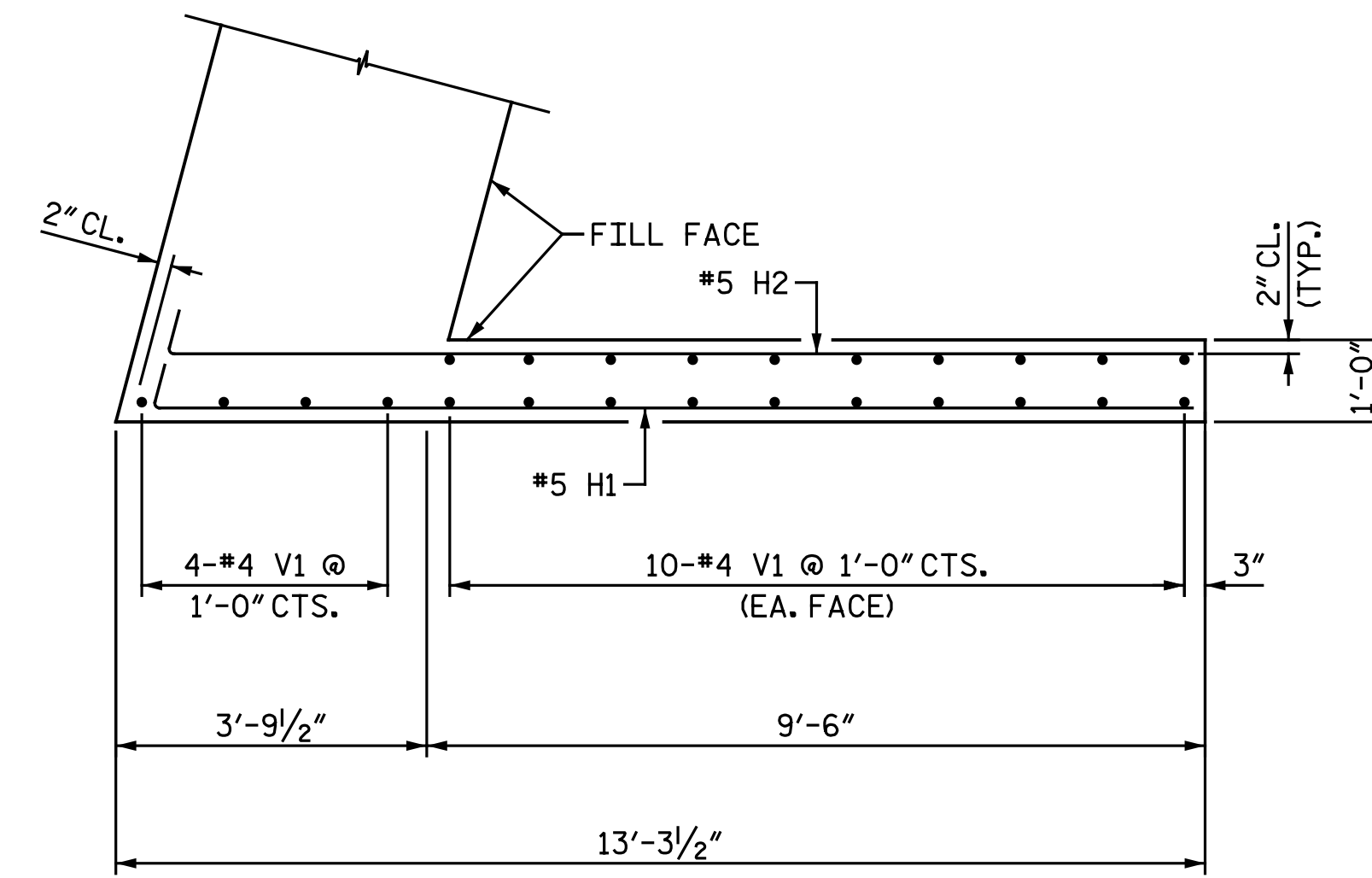


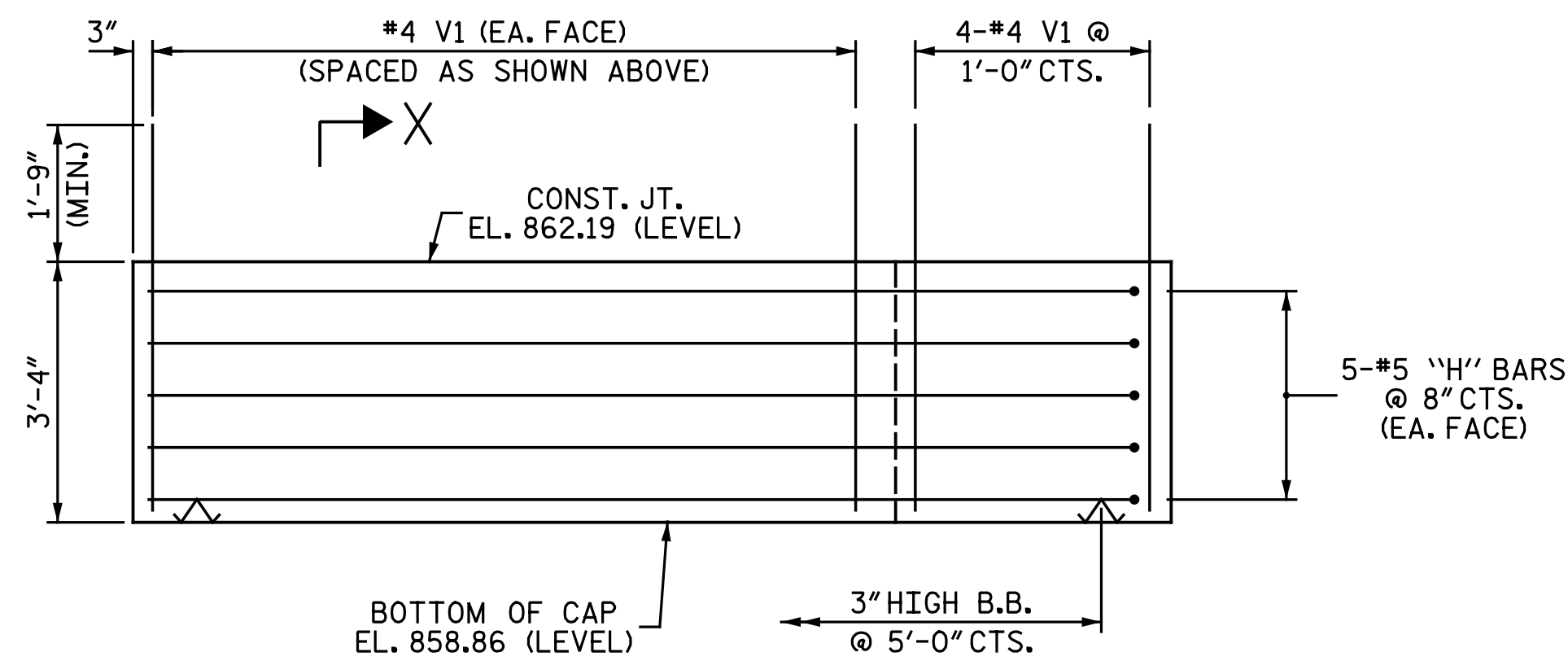
NOTE:
 THE UPPER PORTION OF THE WINGS SHALL BE POURED WITH THE SUPERSTRUCTURE. FOR DETAILS AND REINFORCING STEEL, SEE SUPERSTRUCTURE DETAILS.



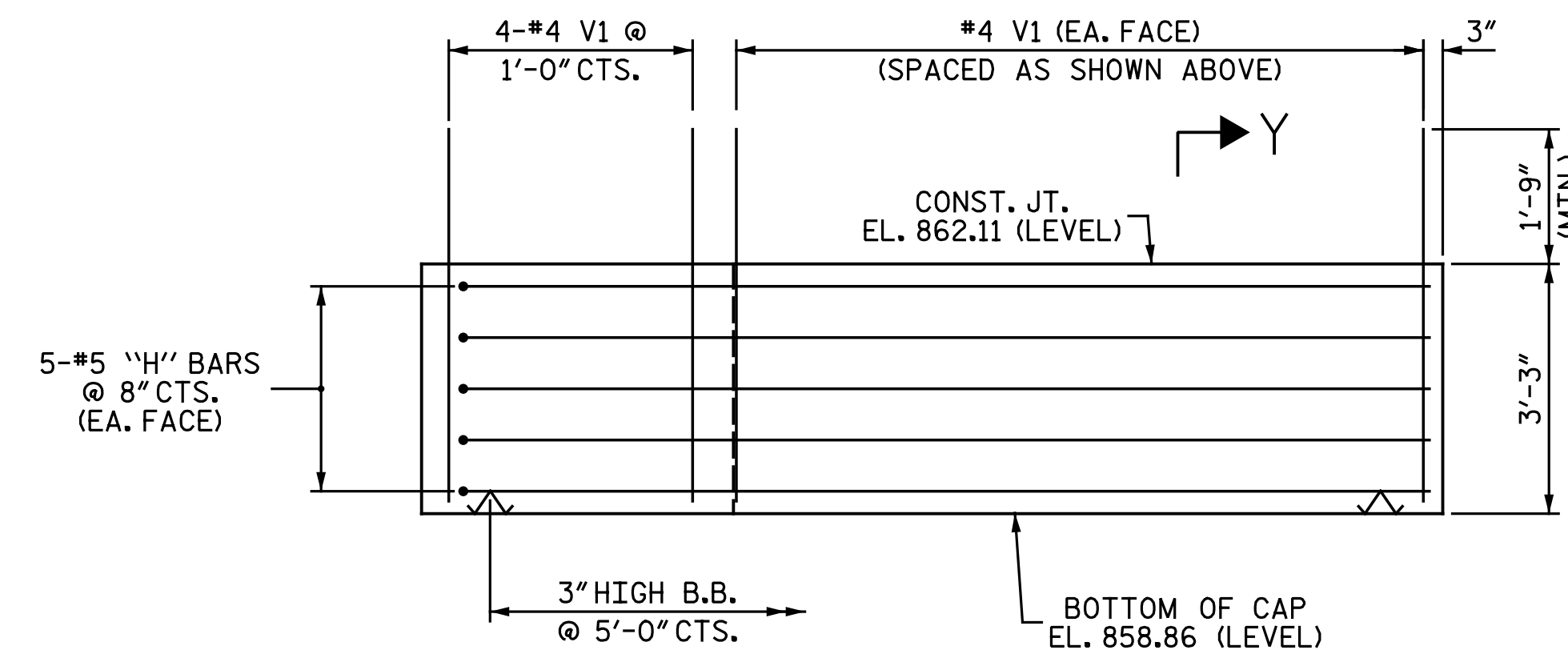
PLAN OF LEFT WING (W3)



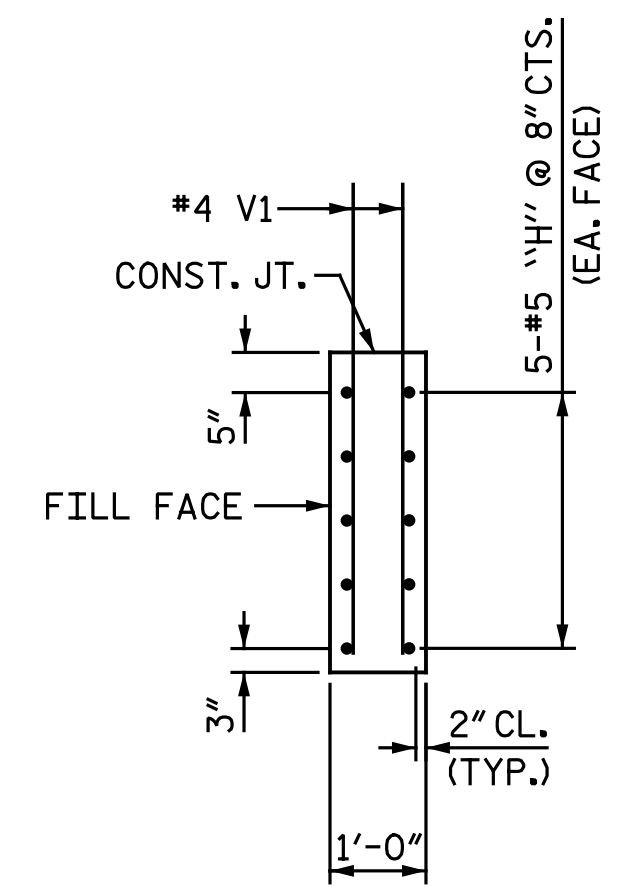
PLAN OF RIGHT WING (W4)



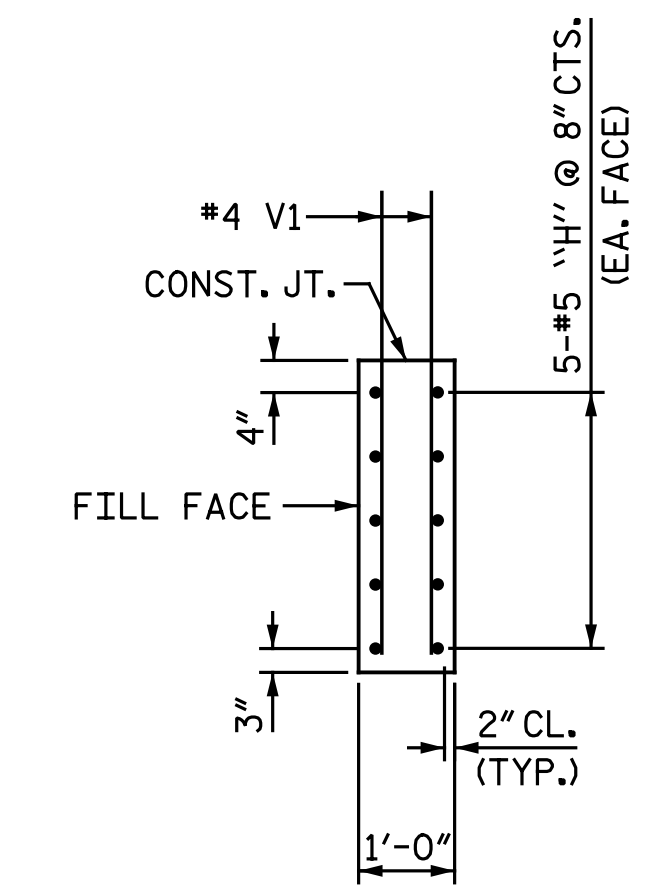
ELEVATION OF LEFT WING (W3)



ELEVATION OF RIGHT WING (W4)



SECTION X-X



SECTION Y-Y

PROJECT NO. U-2524D
GUILFORD COUNTY
 STATION: 13+62.84 -PED-
 SHEET 2 OF 2

DOCUMENT NOT CONSIDERED FINAL UNLESS ALL SIGNATURES COMPLETED	 DocuSigned by: Bradley J. Bell C41A3F8E3C3A34... 5/5/2016	STATE OF NORTH CAROLINA DEPARTMENT OF TRANSPORTATION RALEIGH SUBSTRUCTURE INTEGRAL END BENT 2		
		REVISIONS		SHEET NO. S2-31
		Michael Baker INTERNATIONAL	Michael Baker Engineering 8000 Regency Parkway, Suite 600 Cary, North Carolina 27518 NC License No.: F-1084	NO. BY: DATE: NO. BY: DATE:

DRAWN BY : J. N. AUSTIN DATE : 11-30-15
 CHECKED BY : A. M. HOUSTON DATE : 2-12-16

onayhew 5/5/2016 12:03:30 PM
 File name: Y:\Projects\NCDOT\U-2524D\Site\1.DWG\Final\402.032.U2524D_SML.E202.dgn