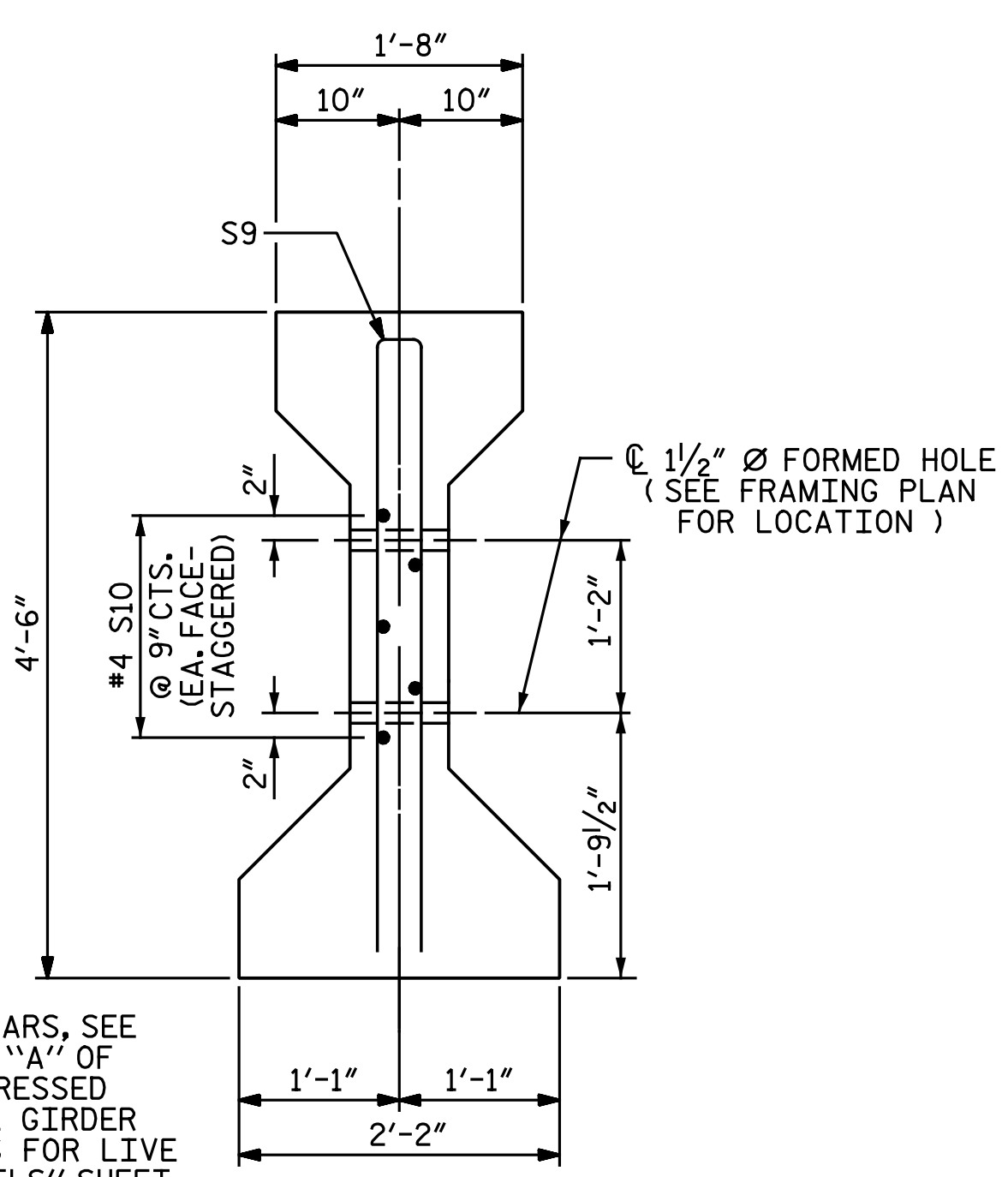
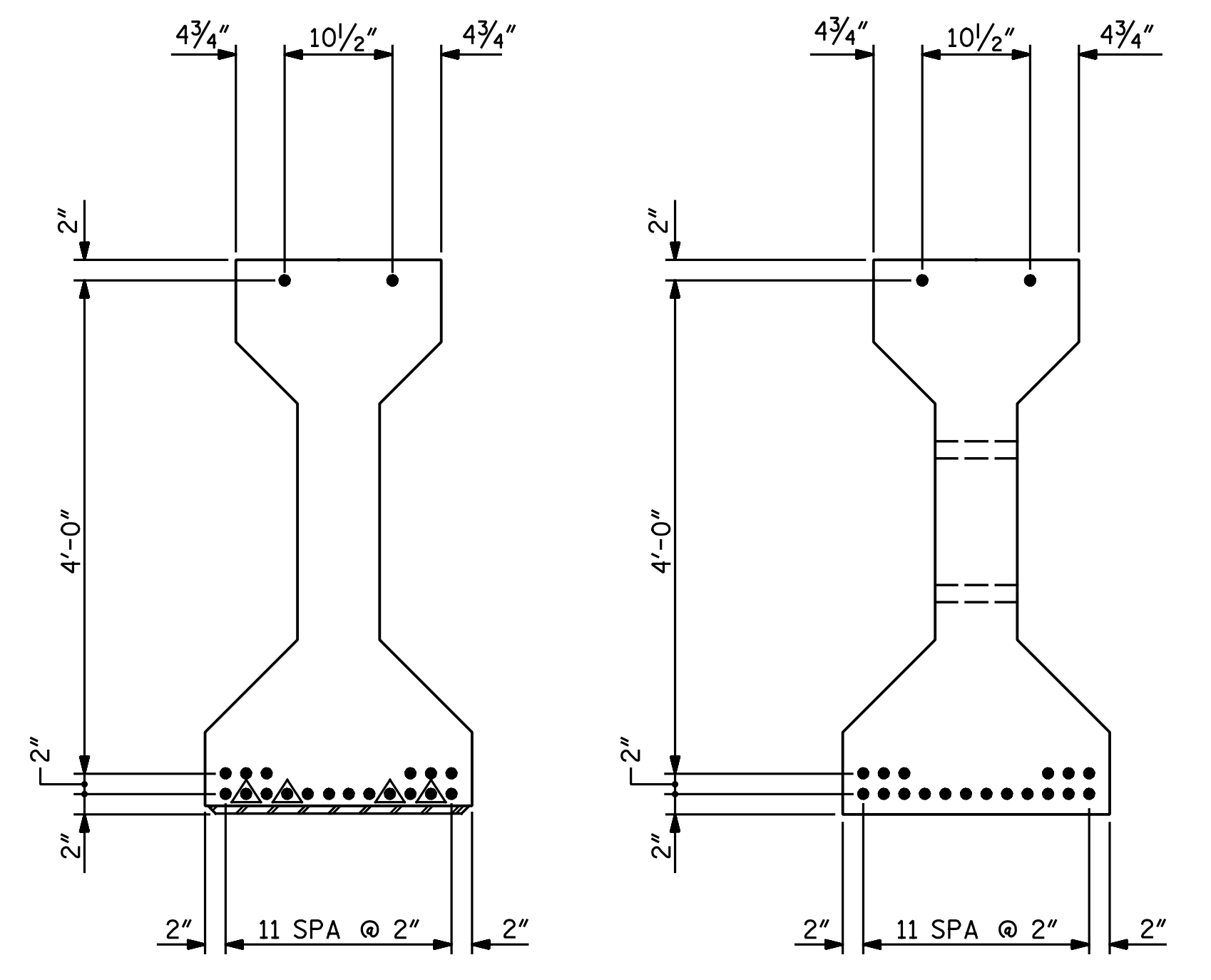


SECTION A-A

SECTION B-B

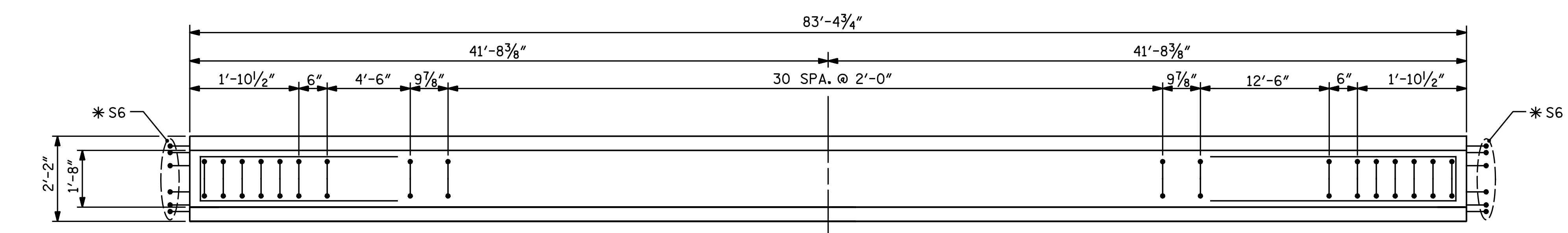


SECTION C-C
(S1 BARS NOT SHOWN)

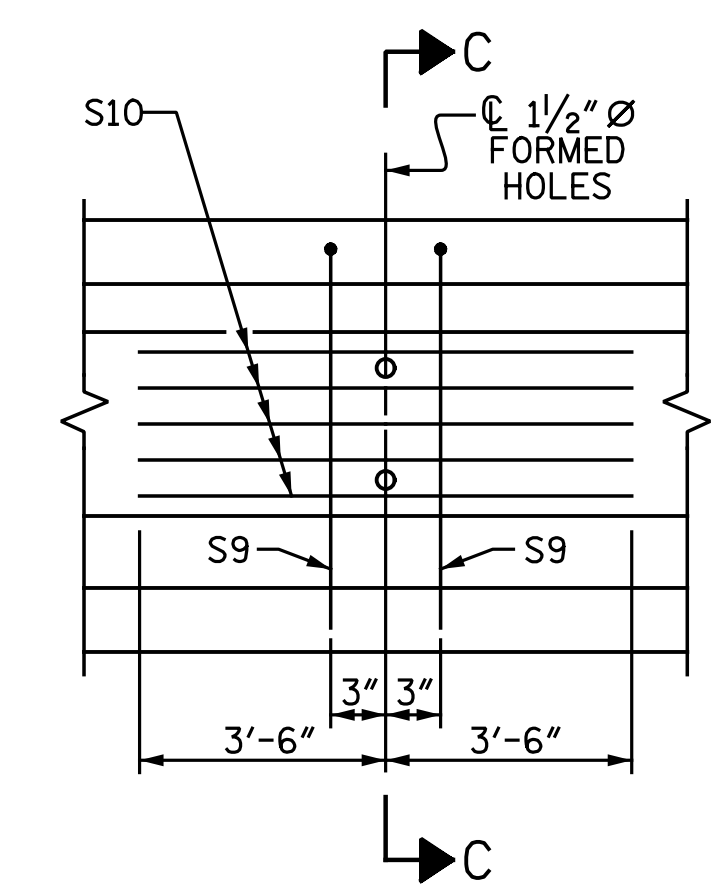


AT END OF GIRDER AT C OF GIRDER
0.6" Ø LOW RELAXATION STRAND LAYOUT

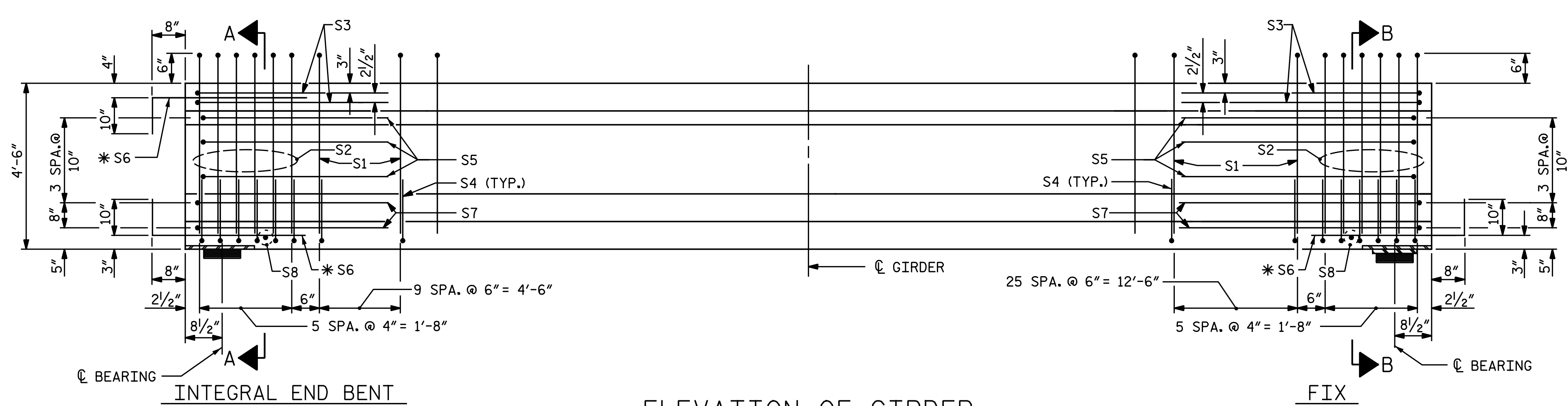
▲ STRANDS DEBONDED FOR 6'-0" FROM END OF GIRDER



PLAN OF GIRDER



PARTIAL ELEVATION
SHOWING INTERMEDIATE DIAPHRAGM
REINFORCING STEEL FOR BOTH GIRDERS



ELEVATION OF GIRDER
(SEE PARTIAL ELEVATION FOR ADDITIONAL "S" BARS)

0.6" Ø L. R. GRADE 270 STRANDS

AREA (SQUARE INCHES)	ULTIMATE STRENGTH (LBS. PER STRAND)	APPLIED PRESTRESS (LBS. PER STRAND)
0.217	58,600	43,950

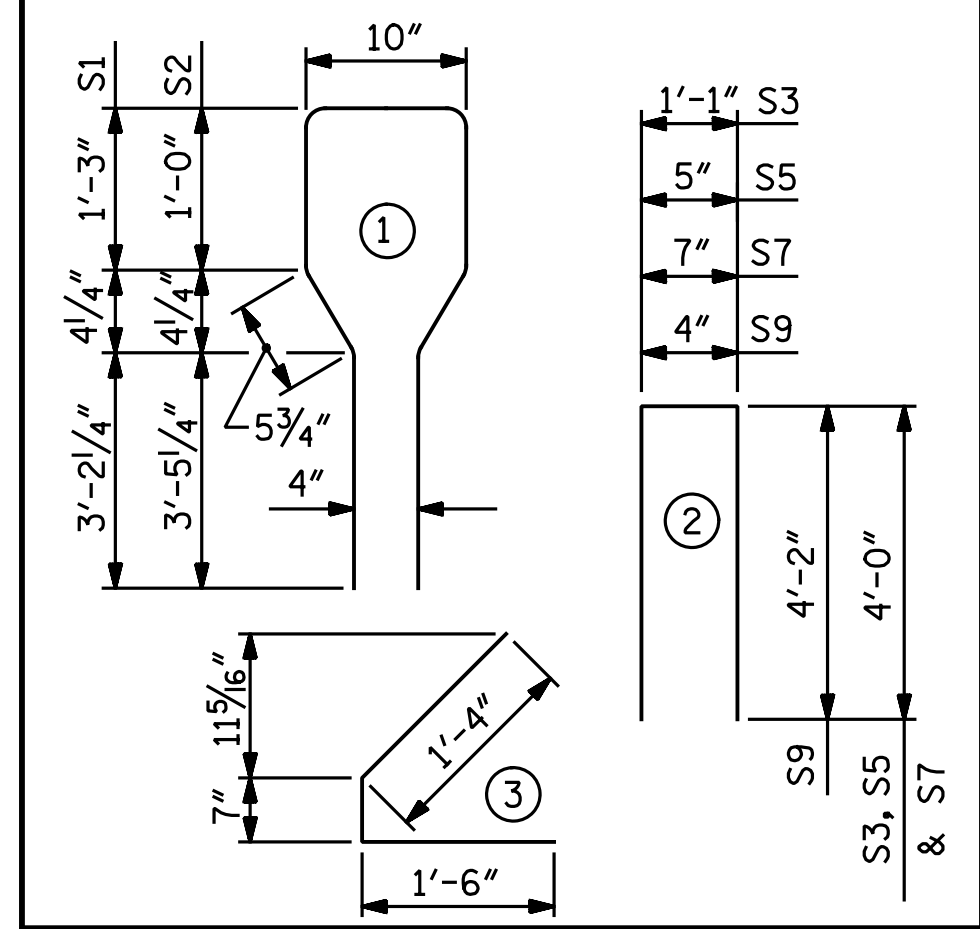
REINFORCING STEEL FOR ONE GIRDER

BAR	NUMBER	SIZE	TYPE	LENGTH	WEIGHT
S1	67	#4	1	10'-8"	477
S2	12	#6	1	10'-8"	192
S3	4	#4	2	9'-1"	24
S4	96	#4	3	3'-5"	219
S5	6	#4	2	8'-5"	34
*S6	18	#5	STR	3'-8"	69
S7	4	#4	2	8'-7"	23
S8	2	#3	STR	1'-10"	1
S9	2	#5	2	8'-8"	18
S10	5	#4	STR	7'-0"	23

* NOTE: S6 BARS SHALL BE BENT BEFORE SHIPMENT. HEAT BENDING SHALL NOT BE ALLOWED.

BAR TYPES

ALL BAR DIMENSIONS ARE OUT-TO-OUT



QUANTITIES FOR ONE GIRDER

	REINFORCING STEEL LB.	6,000 PSI CONCRETE C.Y.	0.6" Ø L. R. STRANDS No.
ALL	1,080	16.9	20

GIRDERS REQUIRED

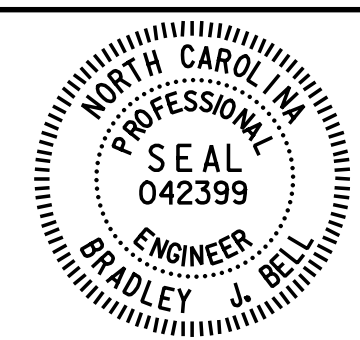
NUMBER	LENGTH	TOTAL LENGTH
2	83'-4 3/4"	166'-9 1/2"

PROJECT NO. U-2524D
GUILFORD COUNTY
STATION: 13+62.84 -PED-

cmayhew 12:03:19 PM 5/5/2016
 File Name: Y:\P\Projects\NCDOT\U-2524D\Site\1.DWG\Final\402_013_U2524D_SML_G01.dgn

DRAWN BY: N. B. SPEAKS DATE: 11-17-15
 CHECKED BY: A. M. HOUSTON DATE: 2-9-16

DOCUMENT NOT CONSIDERED FINAL UNLESS ALL SIGNATURES COMPLETED



DocuSigned by:
Bradley J. Bell
C41A5F8E3A30434
5/5/2016

Michael Baker
INTERNATIONAL

Michael Baker Engineering
8000 Regency Parkway, Suite 600
Cary, North Carolina 27518
NC License No.: F-1084

STATE OF NORTH CAROLINA
DEPARTMENT OF TRANSPORTATION
RALEIGH
SUPERSTRUCTURE
AASHTO TYPE IV
PRESTRESSED CONCRETE GIRDER
CONTINUOUS FOR LIVE LOAD

SPAN A					
REVISIONS			SHEET NO.		
NO.	BY:	DATE:	NO.	BY:	DATE:
1			3		
2			4		

TOTAL SHEETS: 33