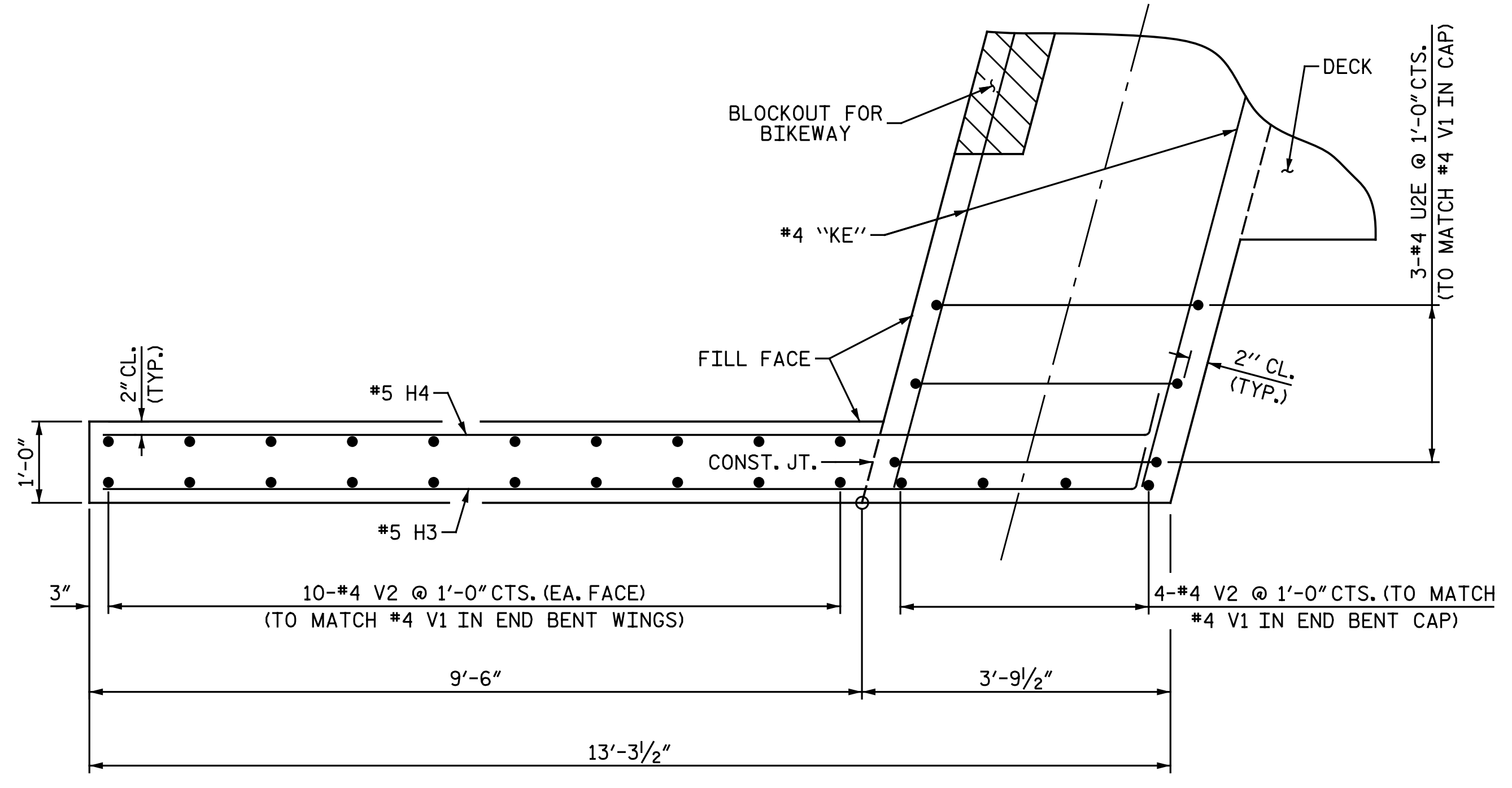
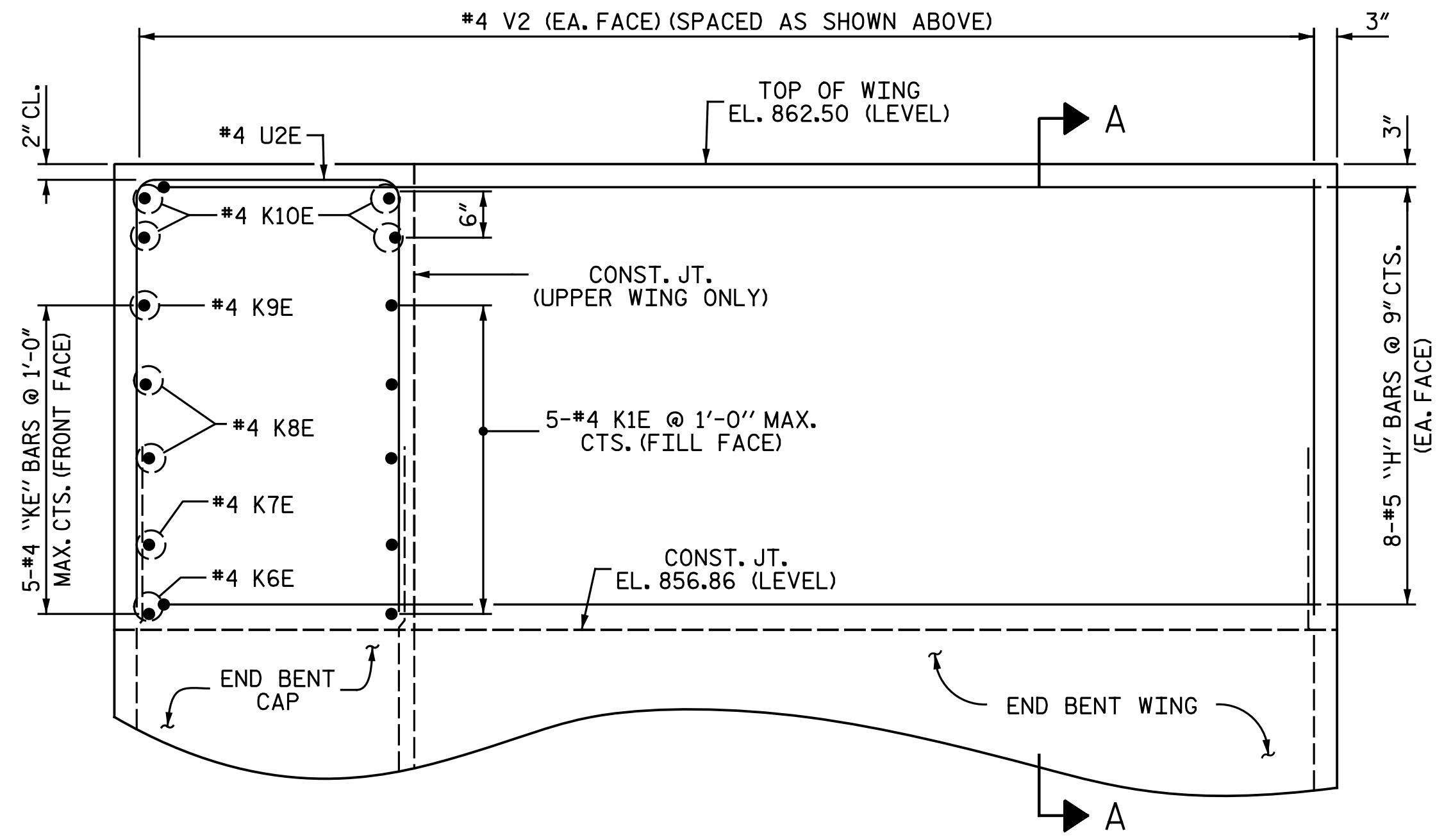


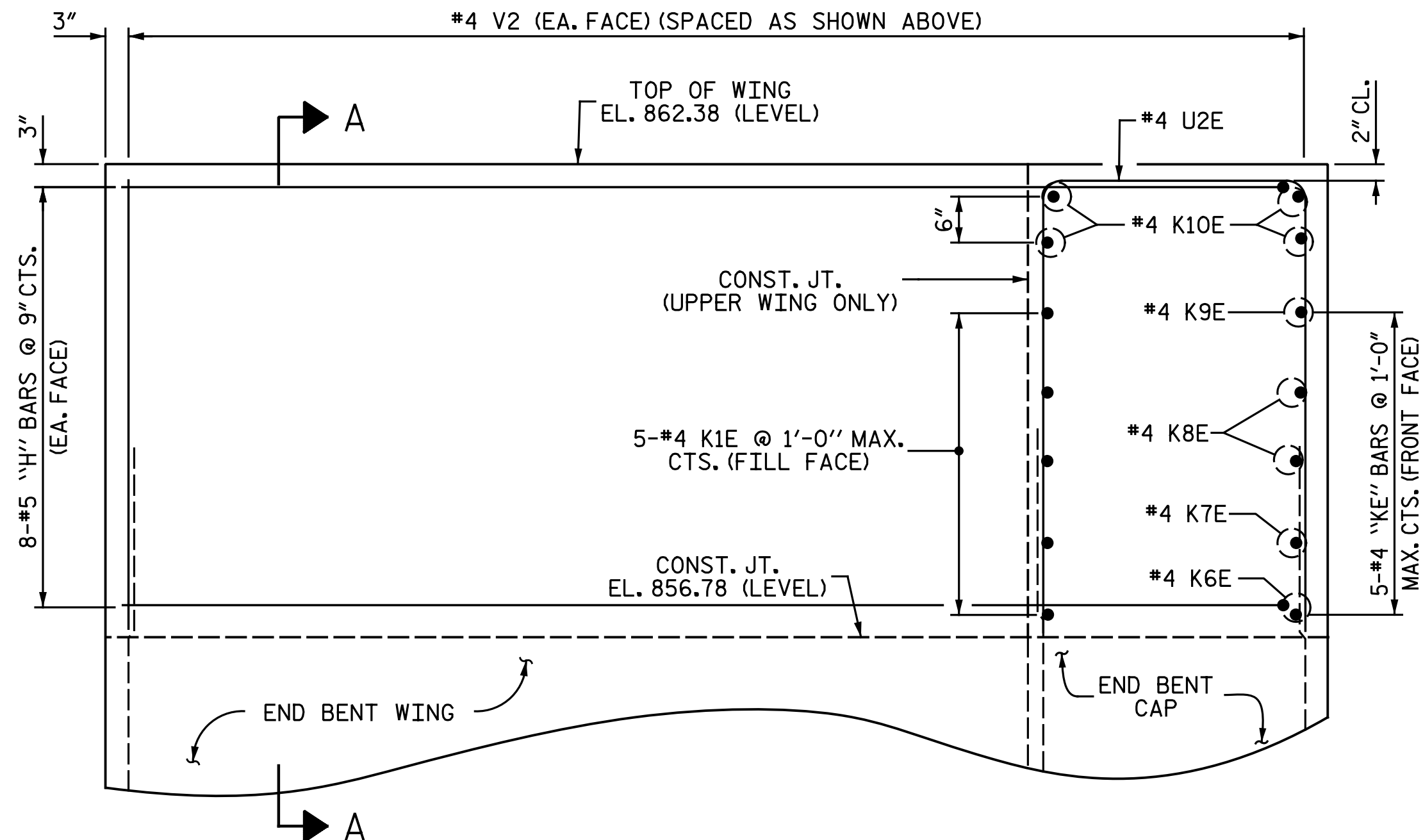
PLAN OF WING (W1)



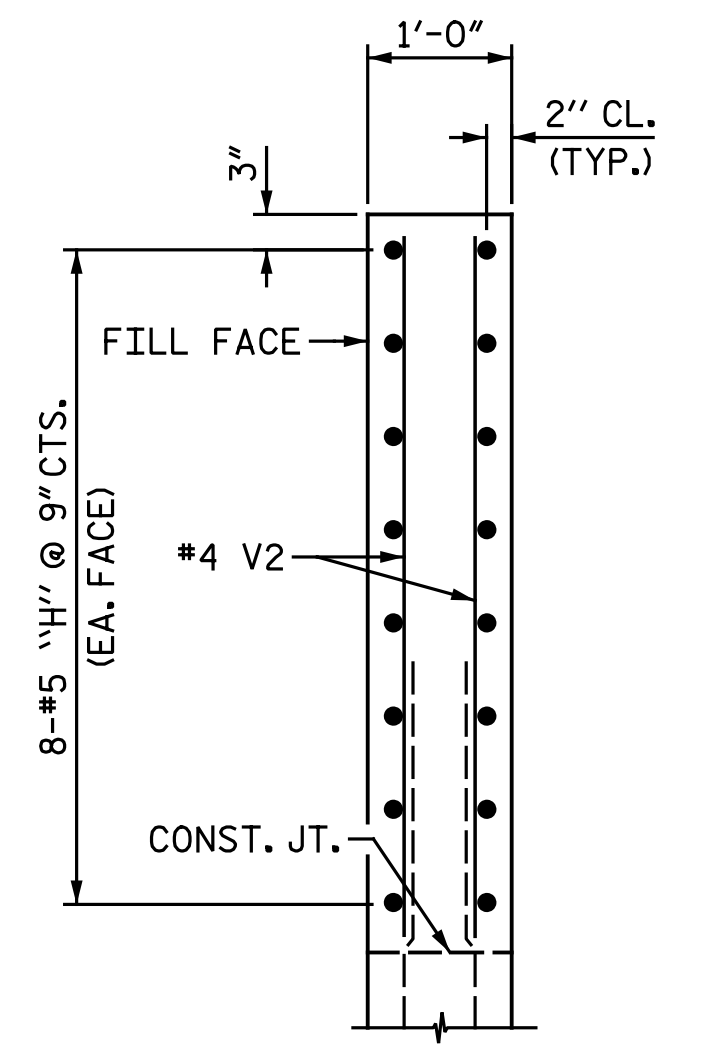
PLAN OF WING (W2)



ELEVATION OF WING (W1)
BLOCKOUT NOT SHOWN



ELEVATION OF WING (W2)
BLOCKOUT NOT SHOWN



SECTION A-A

PROJECT NO. U-2524D
 GUILFORD COUNTY
 STATION: 13+62.84 -PED-
 SHEET 2 OF 3

UPPER WINGS AT INTEGRAL END BENT 1
 FOR LOWER WING REINFORCING STEEL AND DETAILS, SEE "INTEGRAL END BENT 1 DETAILS" SHEETS.

cmayhew 5/5/2016 12:03:17 PM
 File Name: Y:\Projects\NCDDOT\U-2524D\Site\1.DWG\Final\402_010_U2524D_SML_S03.dgn

DRAWN BY : N. B. SPEAKS DATE : 12-17-15
 CHECKED BY : A. M. HOUSTON DATE : 2-8-16

DOCUMENT NOT CONSIDERED FINAL UNLESS ALL SIGNATURES COMPLETED		DEPARTMENT OF TRANSPORTATION RALEIGH SUPERSTRUCTURE PLAN OF SPAN DETAILS	
	DocuSigned by: Bradley J. Bell C41A3F8E3C3A34... 5/5/2016	Michael Baker Engineering 8000 Regency Parkway, Suite 600 Cary, North Carolina 27518 NC License No.: F-1084	
	Michael Baker INTERNATIONAL	REVISIONS	

NO.	BY:	DATE:	NO.	BY:	DATE:
1			3		
2			4		

SHEET NO. S2-9
TOTAL SHEETS 33