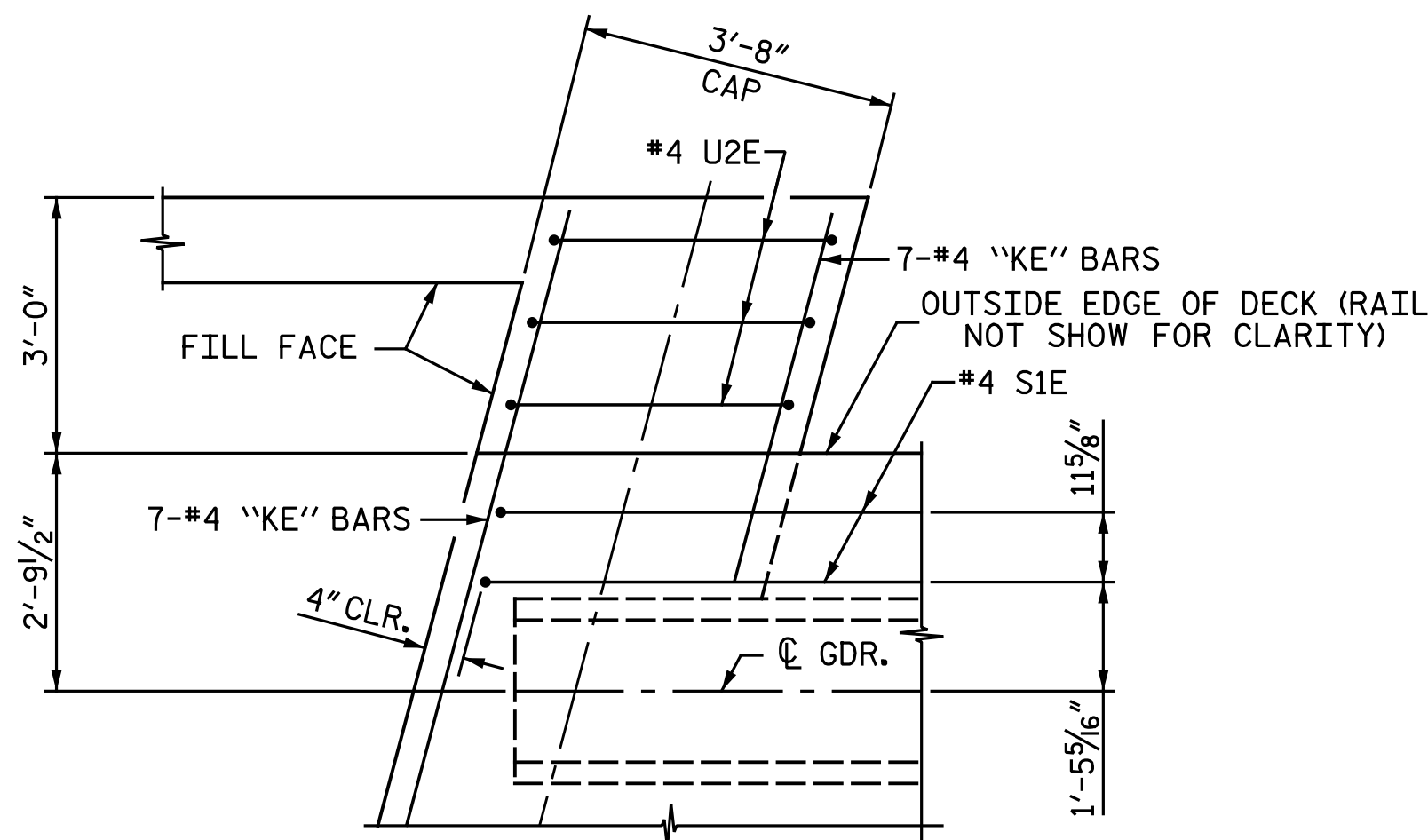


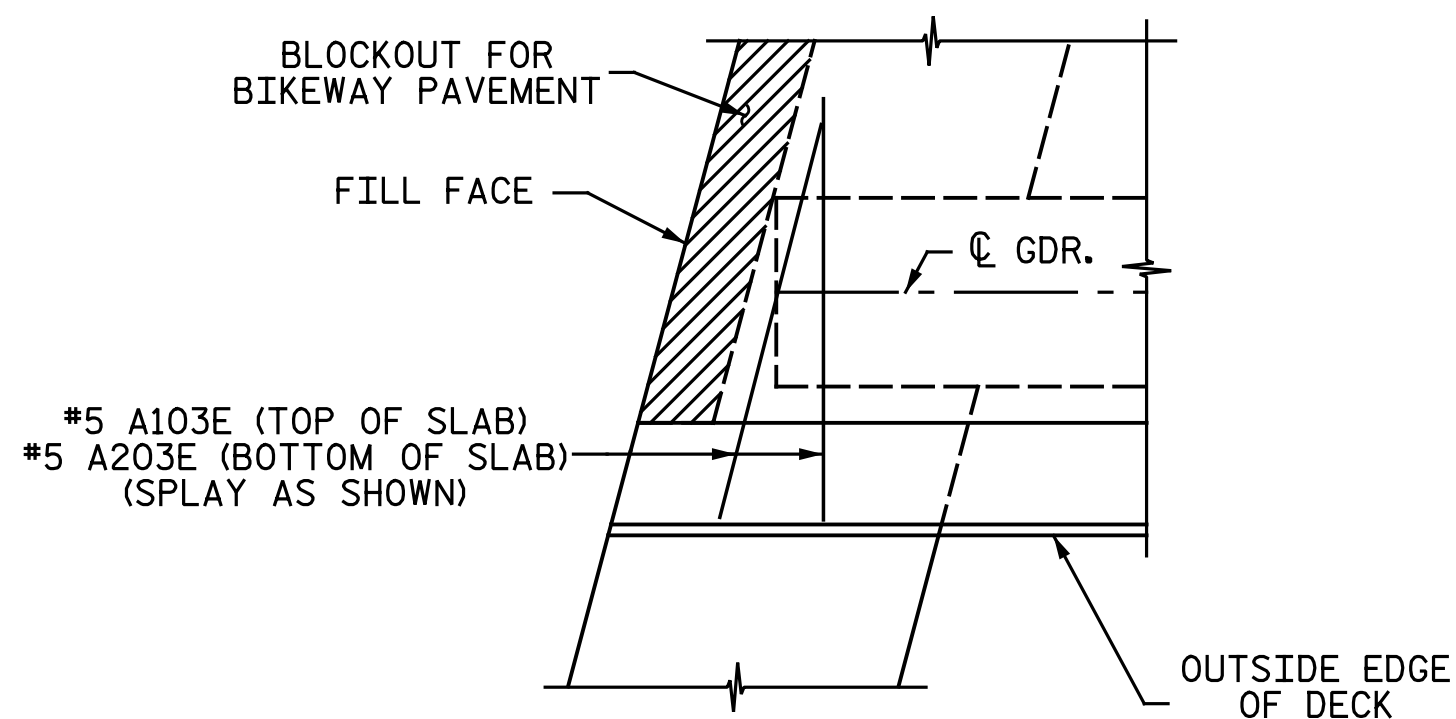
DETAIL "A"

LONGITUDINAL REINFORCEMENT IN TOP OF SLAB.
REINFORCING IS SYMMETRICAL ABOUT BRIDGE C.



DETAIL "B"

WING W1 SHOWN
(WINGS W2, W3, AND W4 SIMILAR)



DETAIL "C"

BEGIN BRIDGE SHOWN.
END BRIDGE SIMILAR BY ROTATION.

PROJECT NO. U-2524D
GUILFORD COUNTY
STATION: 13+62.84 -PED-
SHEET 1 OF 3

DOCUMENT NOT CONSIDERED FINAL UNLESS ALL SIGNATURES COMPLETED	<p>DocuSigned by: <i>Bradley J. Bell</i> C41A3F8E3C3A34... 5/5/2016</p>	STATE OF NORTH CAROLINA DEPARTMENT OF TRANSPORTATION RALEIGH SUPERSTRUCTURE PLAN OF SPAN DETAILS						
		REVISIONS						SHEET NO. S2-8
		NO.	BY:	DATE:	NO.	BY:	DATE:	TOTAL SHEETS 33

Michael Baker International
Michael Baker Engineering
8000 Regency Parkway, Suite 600
Cary, North Carolina 27518
NC License No.: F-1084

cmayhew 5/5/2016 12:03:16 PM
 Filename: Y:\Projects\NCDOT\U-2524D\Site\1.DWG\Final\402_009_U2524D_SML_S02.dgn

DRAWN BY : N. B. SPEAKS DATE : 2-9-16
CHECKED BY : A. M. HOUSTON DATE : 2-10-16