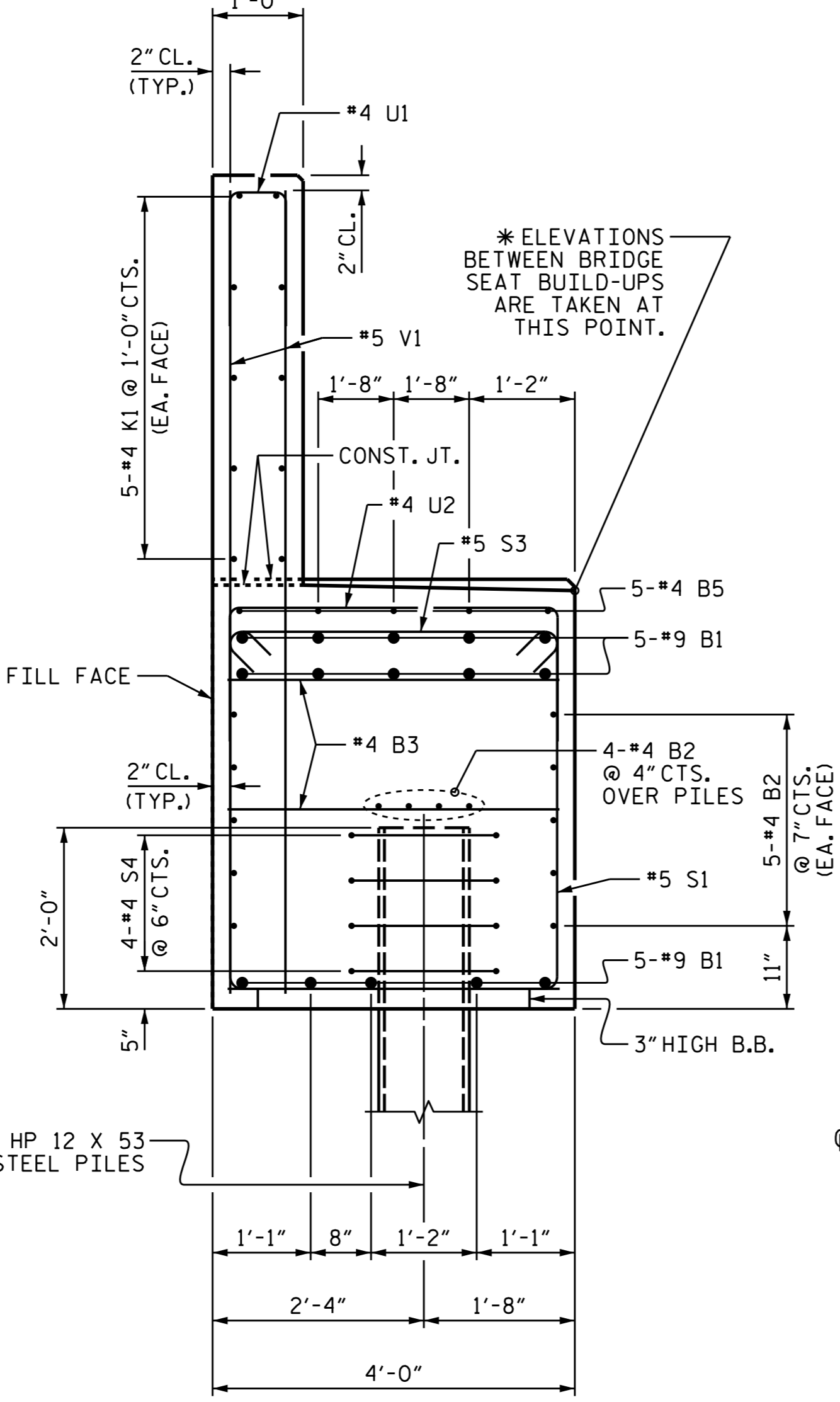
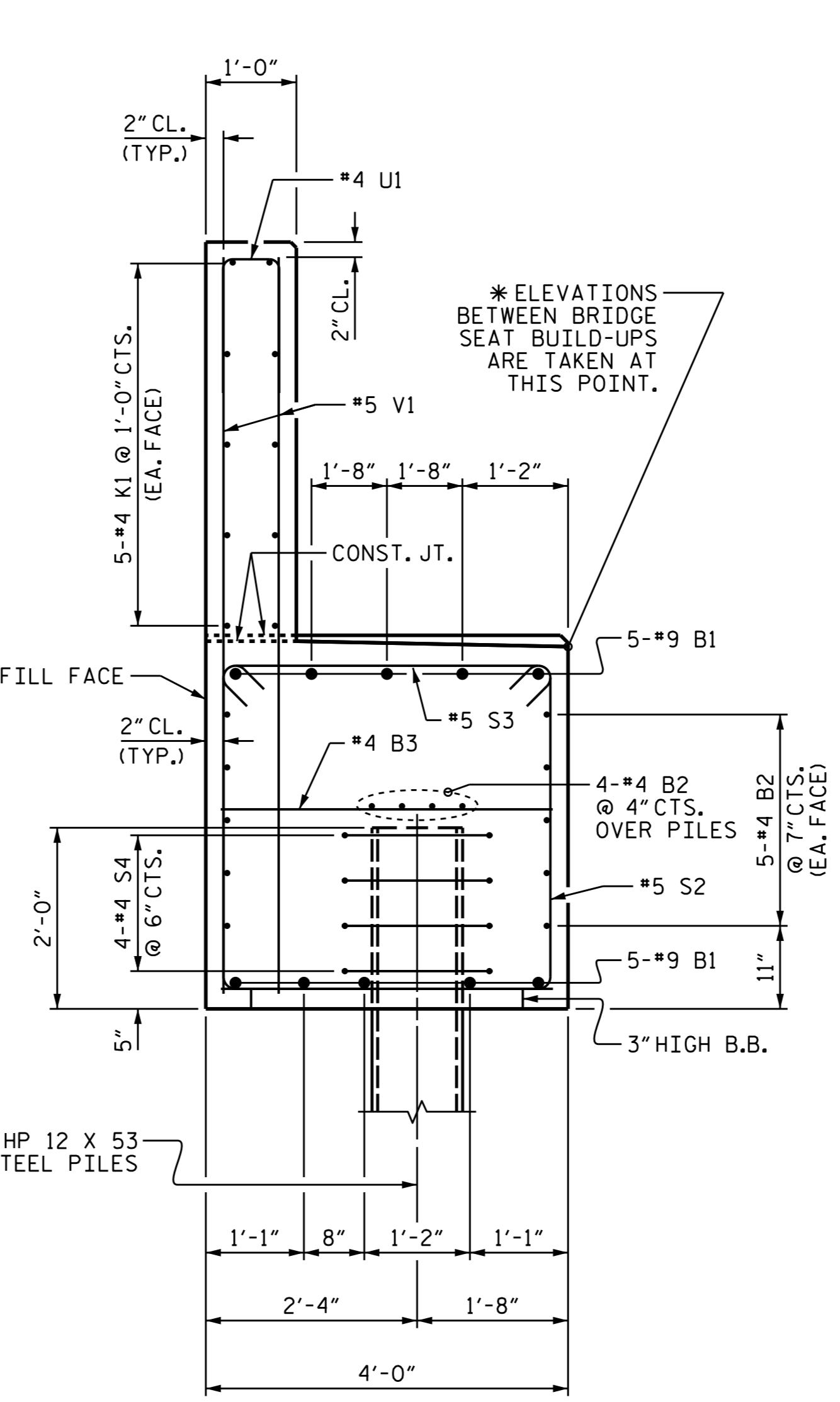


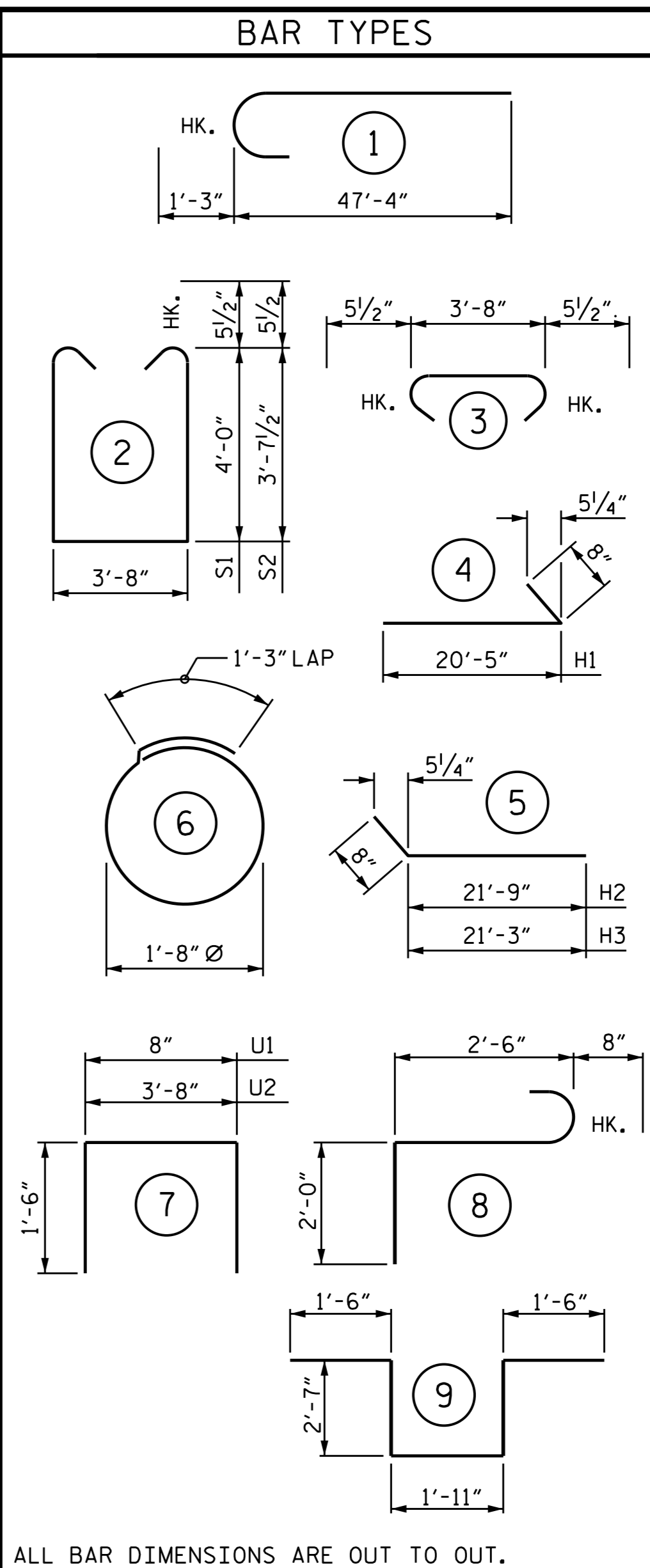
SECTION A-A



SECTION B-B

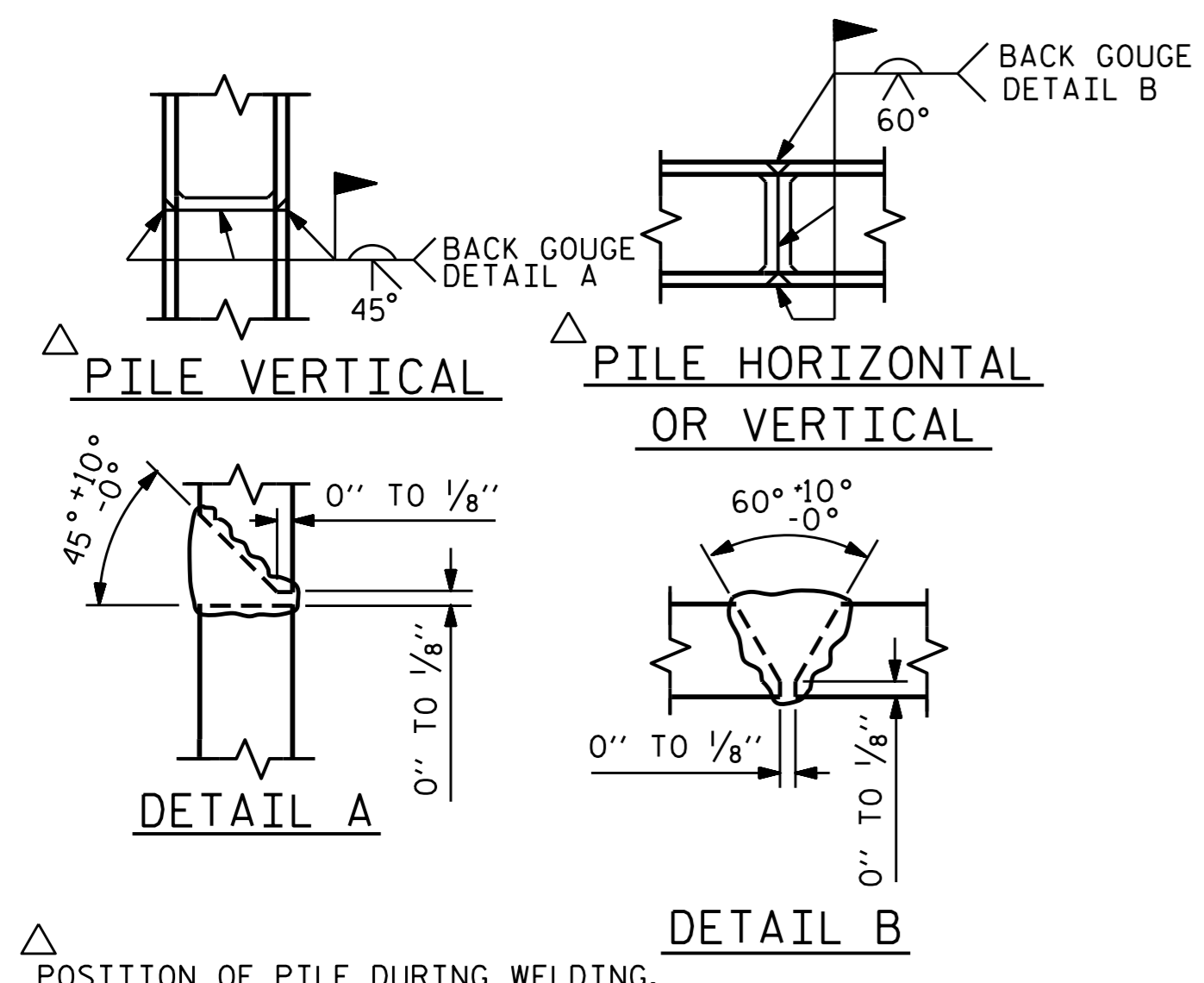


SECTION C-C

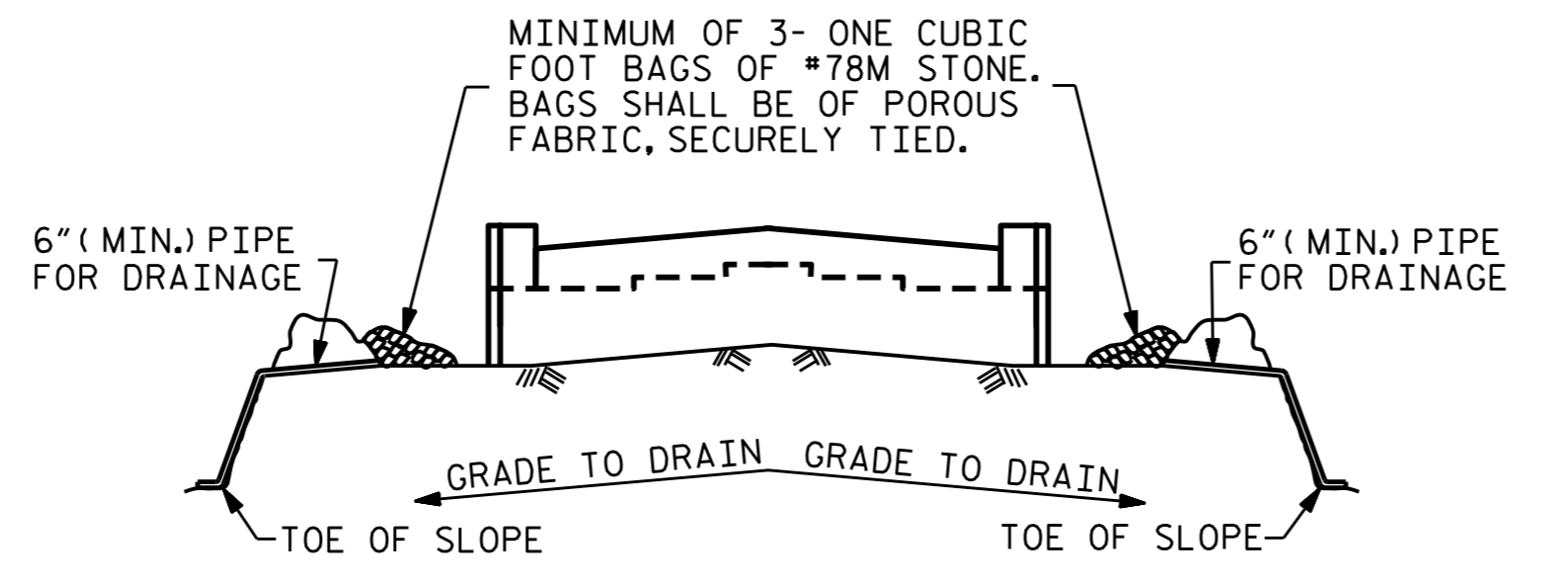


BILL OF MATERIAL					
END BENT 2					
BAR	NO.	SIZE	TYPE	LENGTH	WEIGHT
B1	20	#9	1	48'-7"	3304
B2	42	#4	STR	29'-7"	830
B3	25	#4	STR	3'-8"	61
B4	5	#4	STR	2'-8"	9
B5	9	#4	STR	22'-6"	135
B6	10	#4	STR	10'-0"	67
H1	24	#4	4	21'-1"	338
H2	11	#4	4	22'-5"	165
H3	11	#4	5	21'-11"	161
K1	30	#4	STR	29'-7"	593
K2	4	#4	STR	4'-1"	11
K3	6	#4	STR	5'-1"	20
S1	43	#5	2	12'-7"	564
S2	35	#5	2	11'-10"	432
S3	78	#5	3	4'-7"	373
S4	40	#4	6	6'-6"	174
S5	6	#6	8	5'-2"	47
S6	6	#6	9	10'-1"	91
U1	74	#4	7	3'-8"	181
U2	34	#4	7	6'-8"	151
V1	148	#5	STR	8'-1"	1248
V2	108	#5	STR	10'-2"	1145

REINFORCING STEEL			LBS.	10100
CLASS A CONCRETE				
POUR 1	(CAP. & LOWER WINGS)			61.6 C.Y.
POUR 2	(BACKWALL & UPPER WINGS)			23.6 C.Y.
TOTAL				85.2 C.Y.
HP 12 X 53 STEEL PILES				
NUMBER = 12				LIN. FT. = 480



PILE SPLICE DETAILS

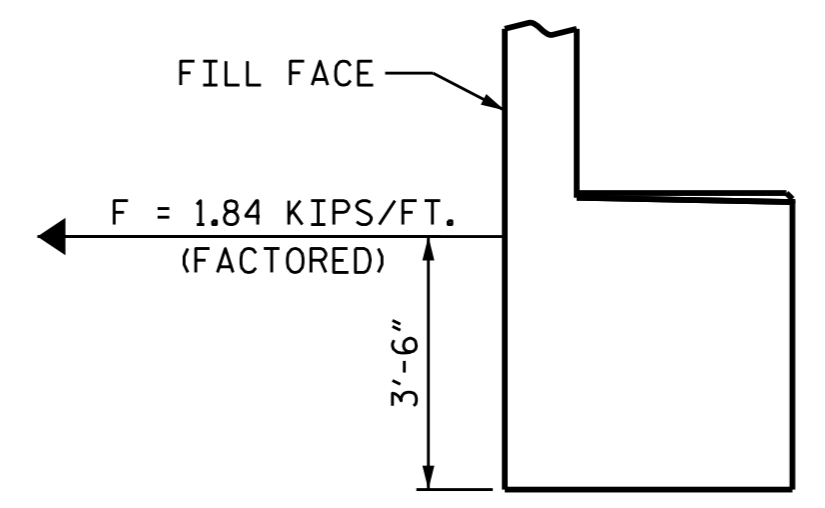


BAGGED STONE AND PIPE SHALL BE PLACED IMMEDIATELY AFTER COMPLETION OF END BENT EXCAVATION. PIPE MAY BE EITHER CONCRETE, CORRUGATED STEEL, CORRUGATED ALUMINUM ALLOY, OR CORRUGATED PLASTIC. PERFORATED PIPE WILL NOT BE ALLOWED.

BAGGED STONE SHALL REMAIN IN PLACE UNTIL THE ENGINEER DIRECTS THAT IT BE REMOVED. THE CONTRACTOR SHALL REMOVE AND DISPOSE OF SILT ACCUMULATIONS AT BAGGED STONE WHEN SO DIRECTED BY THE ENGINEER. BAGS SHALL BE REMOVED AND REPLACED WHENEVER THE ENGINEER DETERMINES THAT THEY HAVE DETERIORATED AND LOST THEIR EFFECTIVENESS.

NO SEPARATE PAYMENT WILL BE MADE FOR THIS WORK AND THE ENTIRE COST OF THIS WORK SHALL BE INCLUDED IN THE UNIT CONTRACT PRICE BID FOR THE SEVERAL PAY ITEMS.

TEMPORARY DRAINAGE AT END BENT



GALVANIZED REINF. STRAP LOAD DETAIL
GALVANIZED REINFORCING STRAPS SHALL BE ATTACHED TO THE END BENT. FOR DESIGN CRITERIA AND DETAILS, SEE SPECIAL PROVISIONS FOR "MECHANICALLY STABILIZED EARTH RETAINING WALLS".



PROJECT NO. U-2524D
GUILFORD COUNTY
STATION: 25+18.62 -Y6-

SHEET 3 OF 3

STATE OF NORTH CAROLINA					
DEPARTMENT OF TRANSPORTATION					
RALEIGH					
SUBSTRUCTURE					
END BENT 2					
REVISIONS					
NO.	BY:	DATE:	NO.	BY:	DATE:
1			3		
2			4		

SHEET NO.	
S1-29	TOTAL SHEETS
33	

DRAWN BY: P. K. NEWTON DATE: 4/18/16
CHECKED BY: T. H. FANG DATE: 5/3/16
DESIGN ENGINEER OF RECORD: P. K. NEWTON DATE: 5/12/16