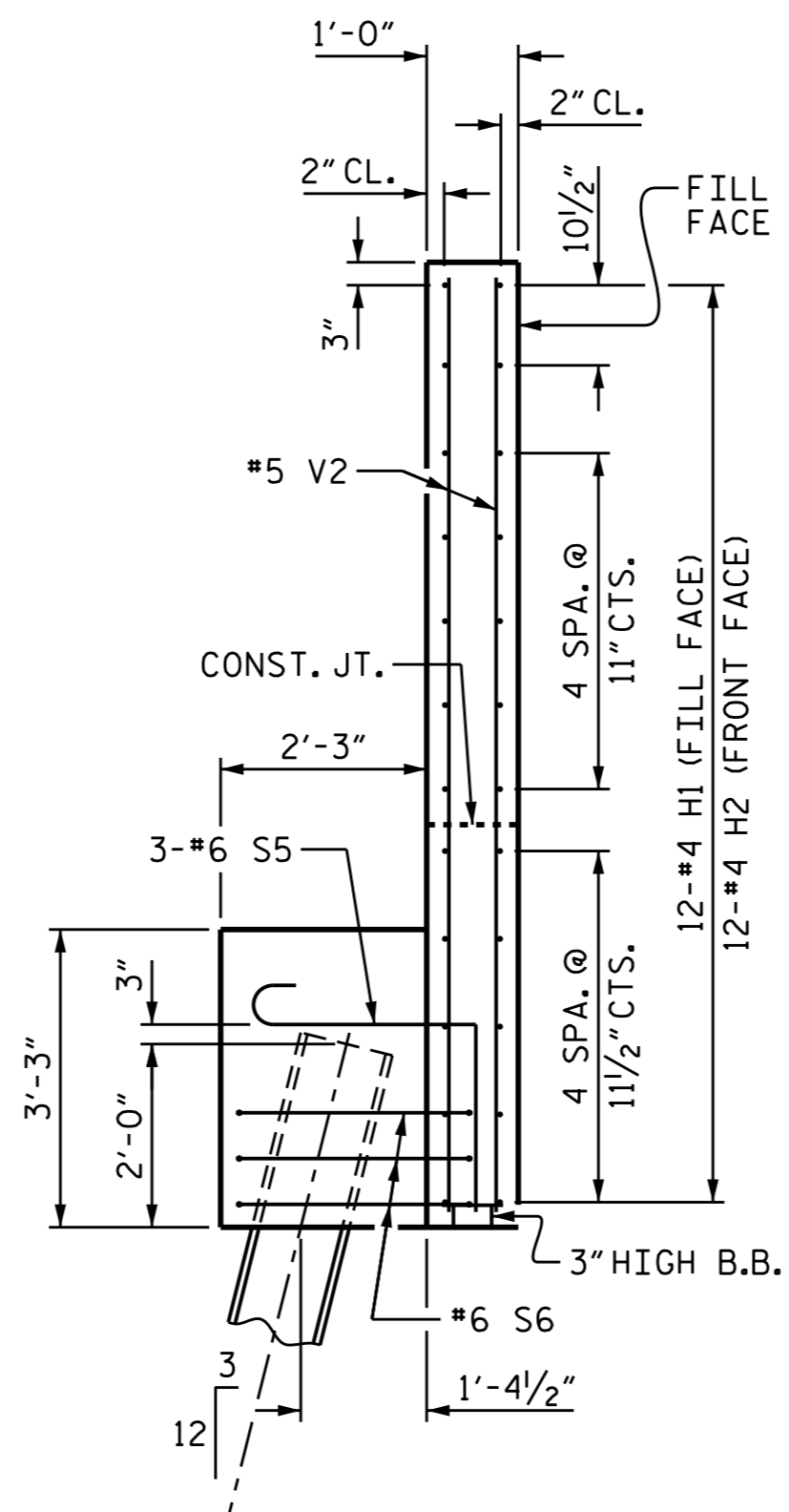
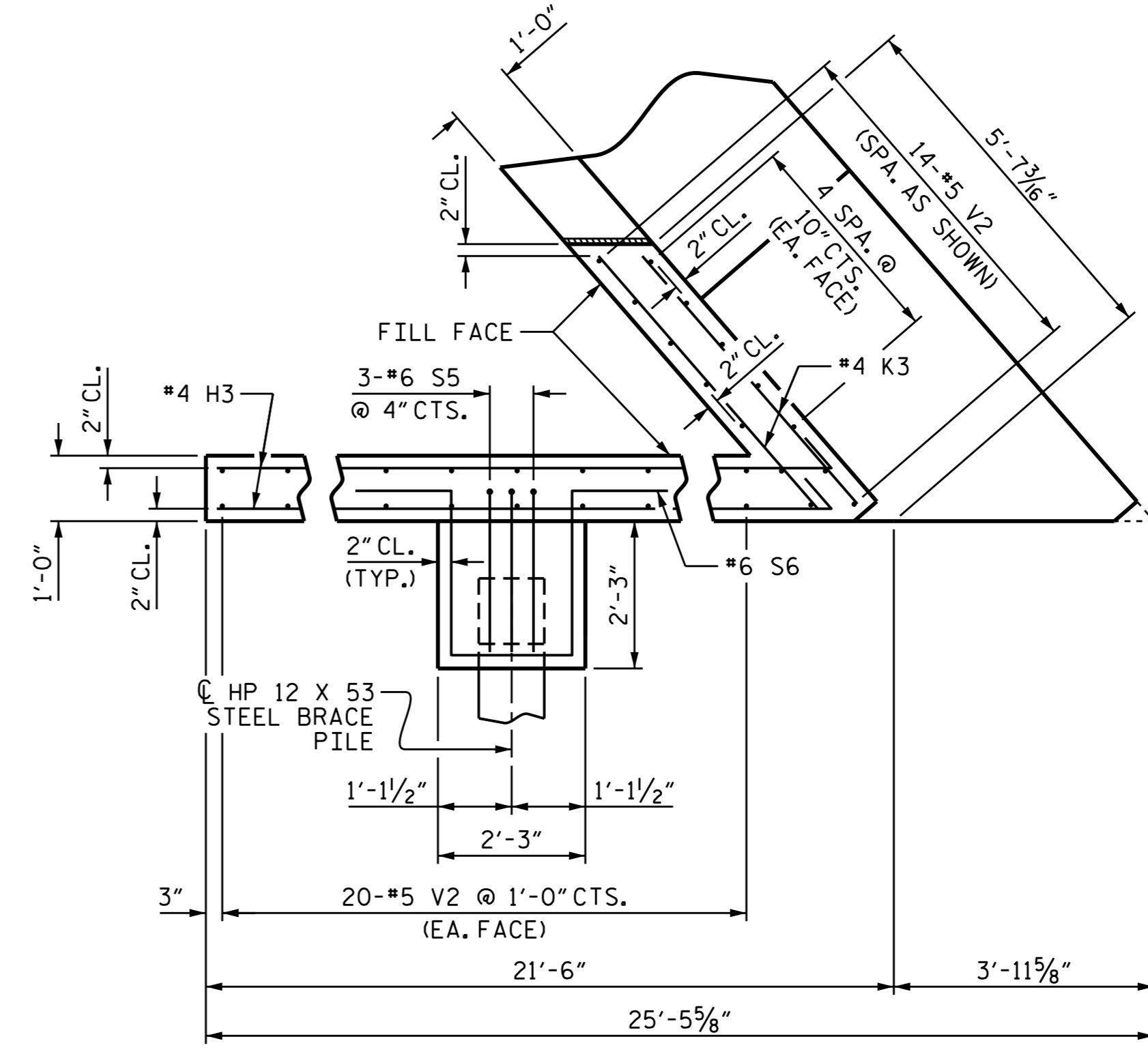


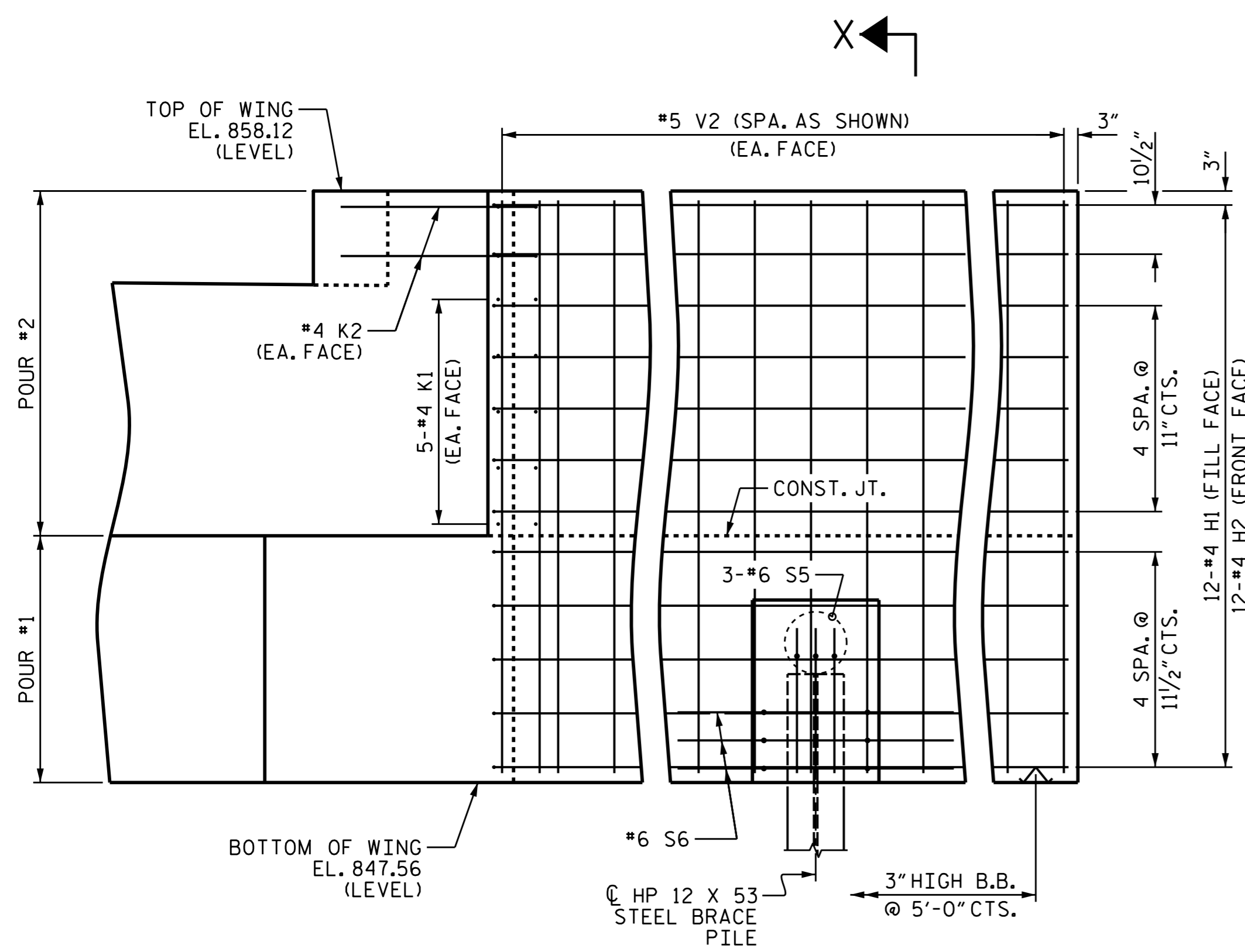
PLAN OF WING W1



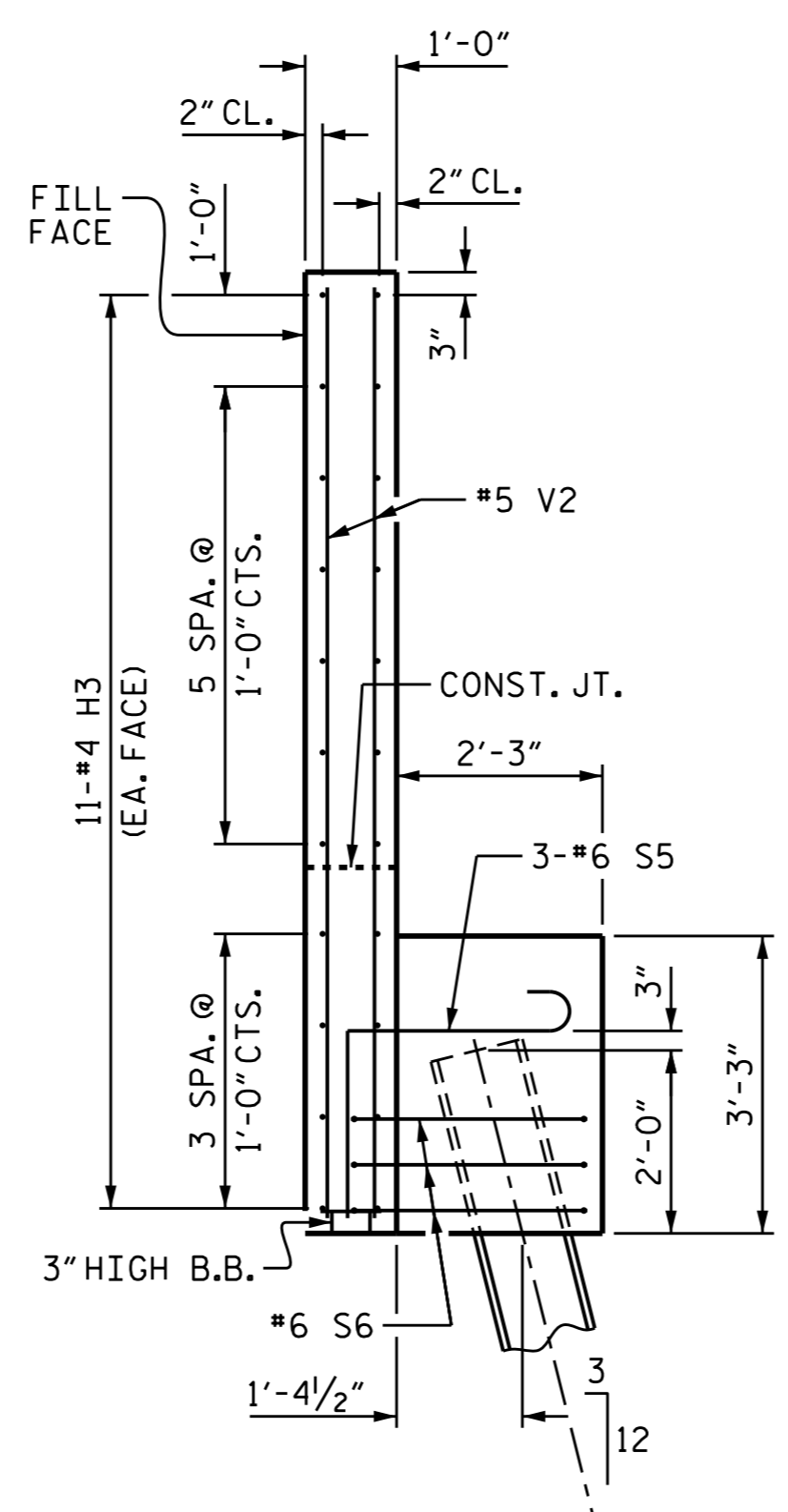
SECTION X-X



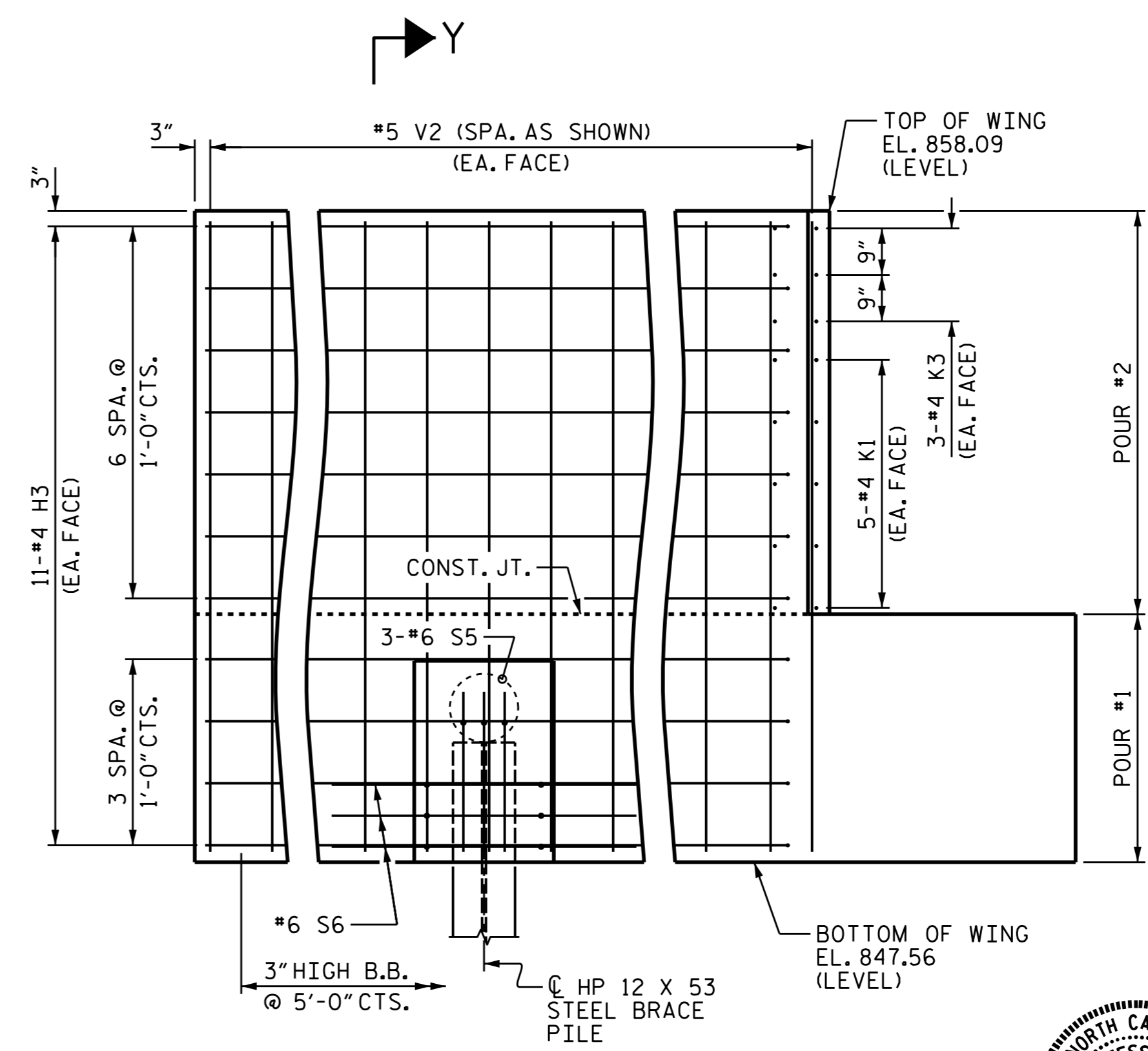
PLAN OF WING W2



ELEVATION OF WING W1



SECTION Y-Y



ELEVATION OF WING W2

PROJECT NO. U-2524D
GUILFORD COUNTY
 STATION: 25+18.62 -Y6-

SHEET 2 OF 3

STATE OF NORTH CAROLINA
 DEPARTMENT OF TRANSPORTATION
 RALEIGH
 SUBSTRUCTURE
 END BENT 1



DocuSigned by:
 Ting Fang
 E7208840097435... 7/1/2016

DRAWN BY: P. K. NEWTON DATE: 4/13/16
 CHECKED BY: T. H. FANG DATE: 5/3/16
 DESIGN ENGINEER OF RECORD: P. K. NEWTON DATE: 5/12/16

DOCUMENT NOT CONSIDERED
 FINAL UNLESS ALL
 SIGNATURES COMPLETED

REVISIONS						SHEET NO.
NO.	BY:	DATE:	NO.	BY:	DATE:	S1-23
1			3			TOTAL SHEETS
2			4			33

01-JUL-2016 13:10
 K:\TIP\Projects\U-2524D\Structures\Plans\bridge\str1\Final plans\U2524d.sd.ebt.dgn
 t.fang