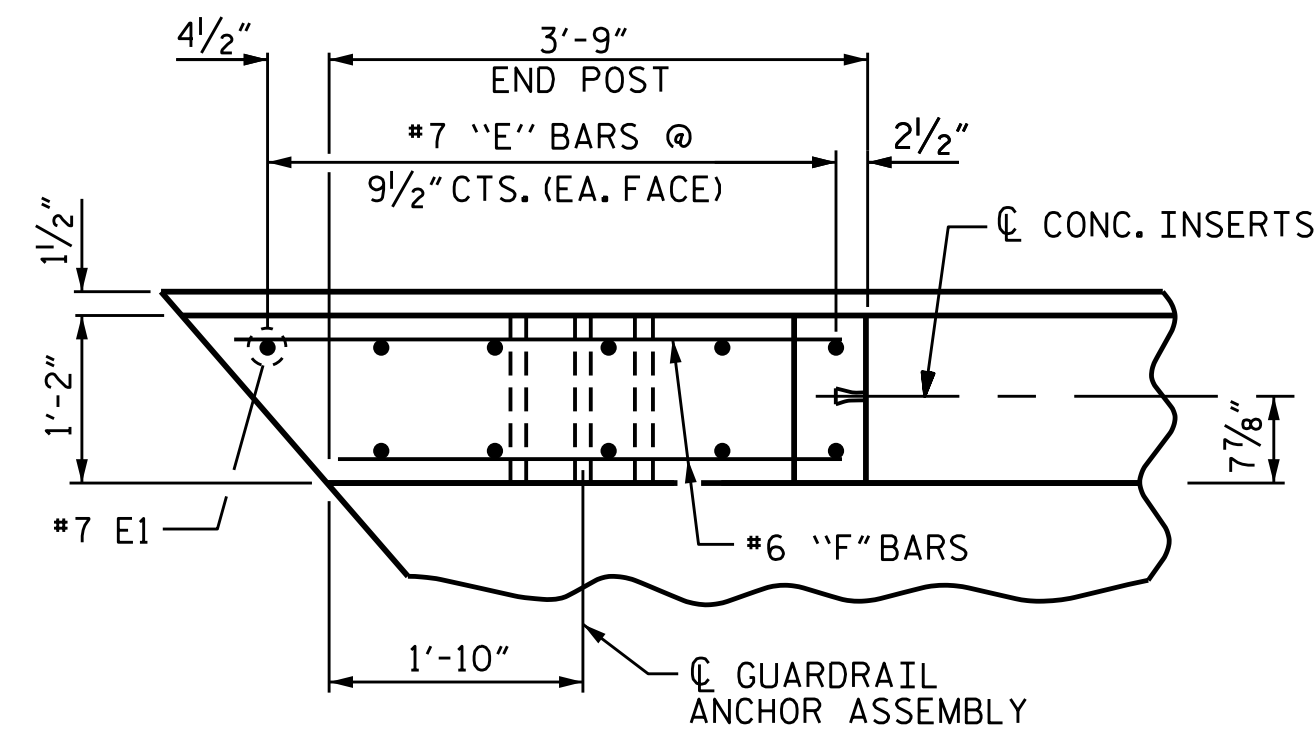
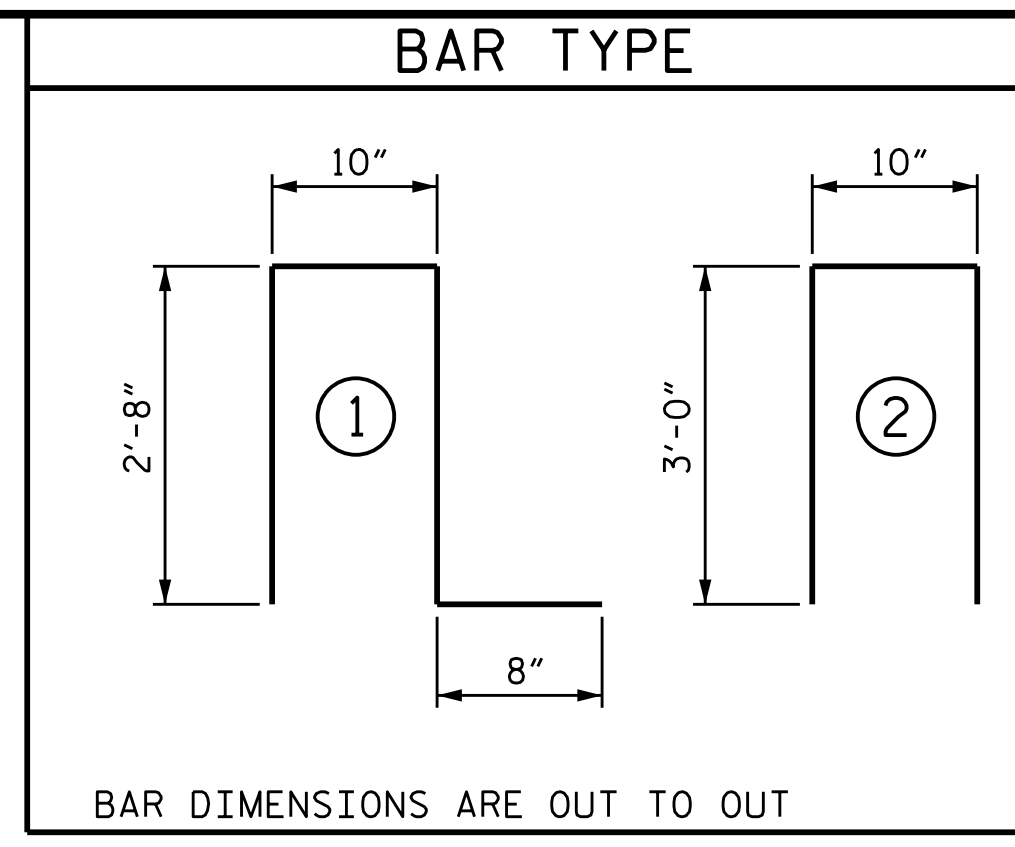


PLAN OF PARAPET

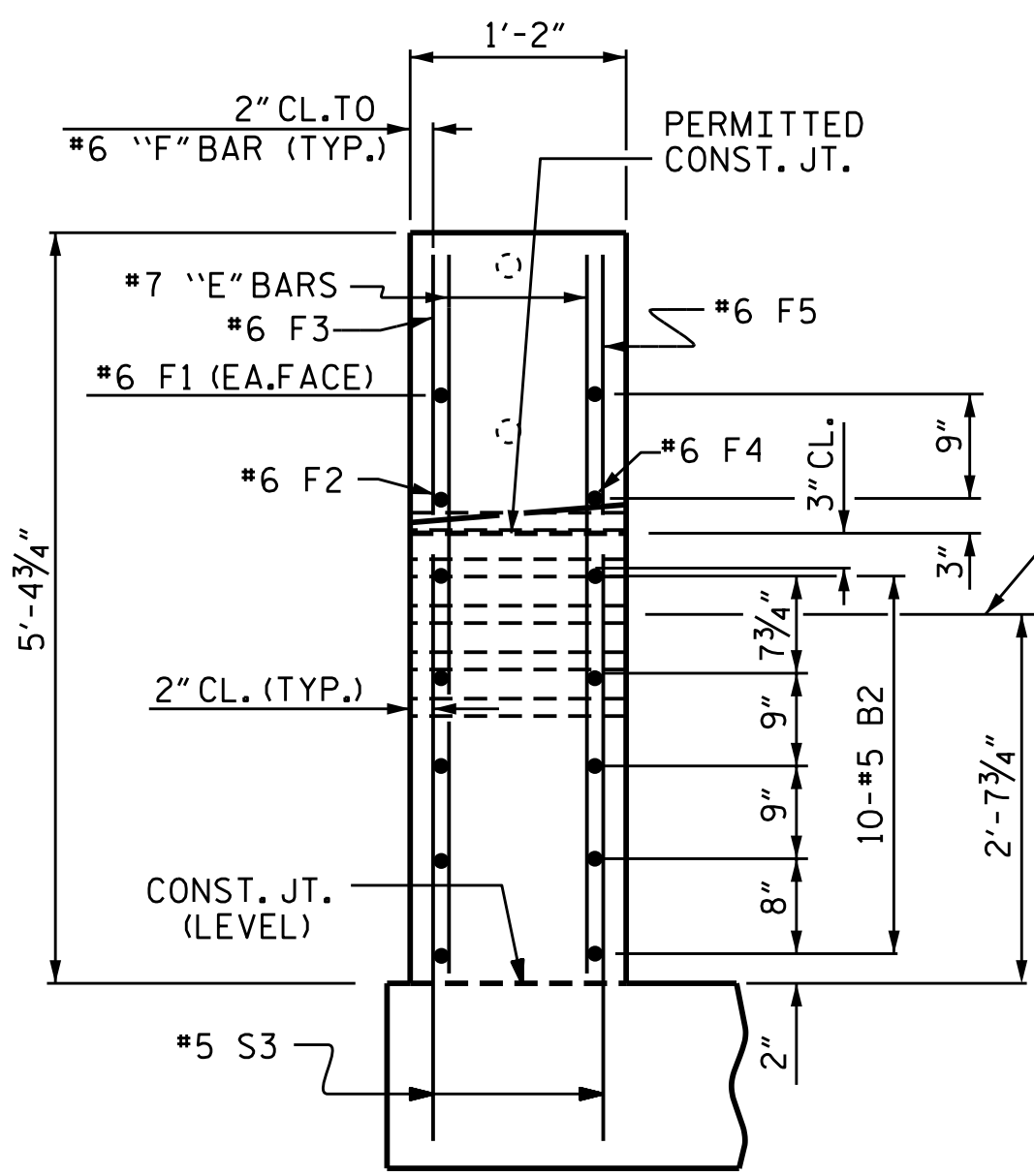


PLAN OF PARAPET

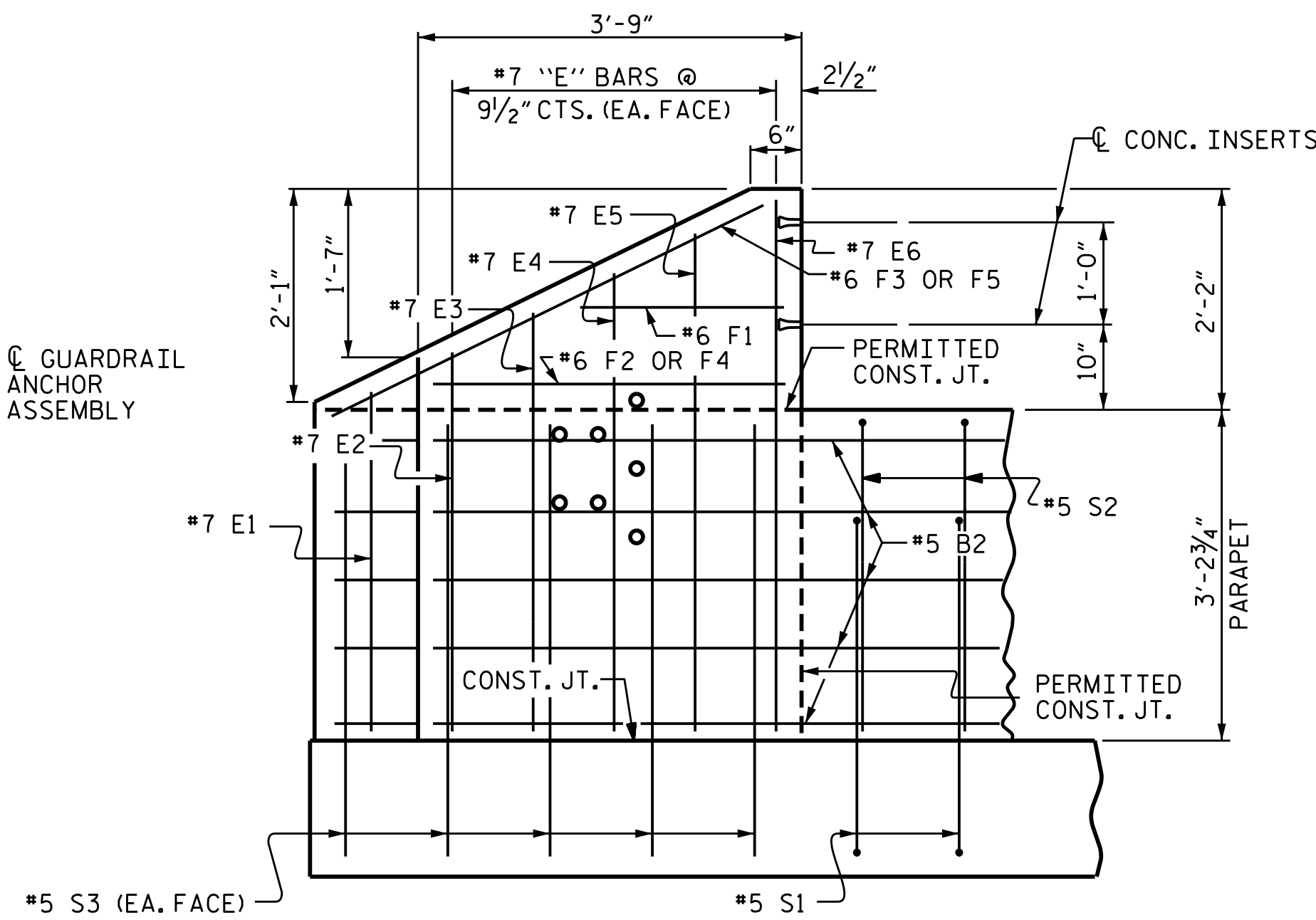


BAR DIMENSIONS ARE OUT TO OUT

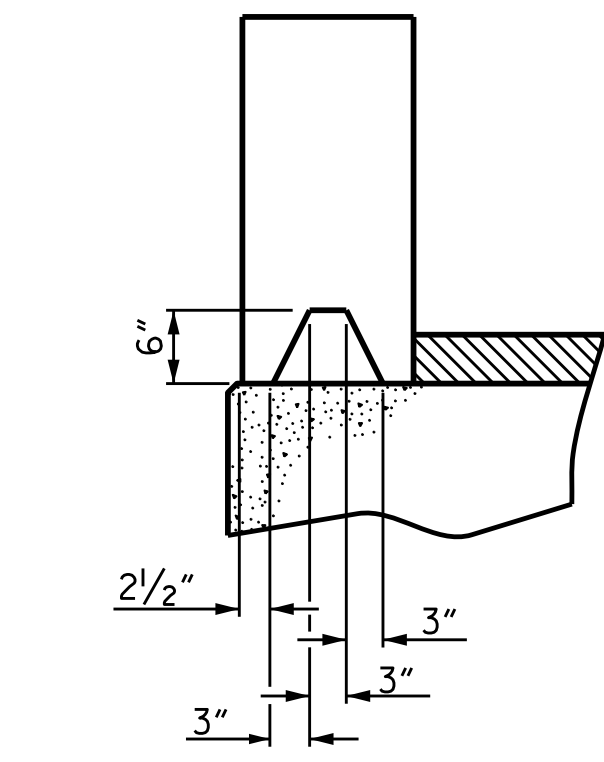
BILL OF MATERIAL						
FOR 2 PARAPETS AND 4 END POSTS						
BAR	NO.	SIZE	TYPE	LENGTH	WEIGHT	
*B1	120	#5	STR	26'-7"	3327	
*B2	80	#5	STR	16'-3"	1356	
*E1	4	#7	STR	2'-8"	22	
*E2	8	#7	STR	3'-3"	53	
*E3	8	#7	STR	3'-9"	61	
*E4	8	#7	STR	4'-3"	69	
*E5	8	#7	STR	4'-9"	78	
*E6	8	#7	STR	5'-2"	84	
*F1	8	#6	STR	1'-11"	23	
*F2	4	#6	STR	3'-11"	24	
*F3	4	#6	STR	5'-1"	31	
*F4	4	#6	STR	3'-5"	21	
*F5	4	#6	STR	4'-7"	28	
*S1	416	#5	1	6'-10"	2965	
*S2	416	#5	2	6'-10"	2965	
*S3	36	#5	STR	3'-8"	138	
* EPOXY COATED REINFORCING STEEL					11,243 LBS.	
CLASS AA CONCRETE				60.9	CU. YDS.	
1'-2" X 3'-2 3/4" CONCRETE PARAPET				433.24	LINEAL FT.	



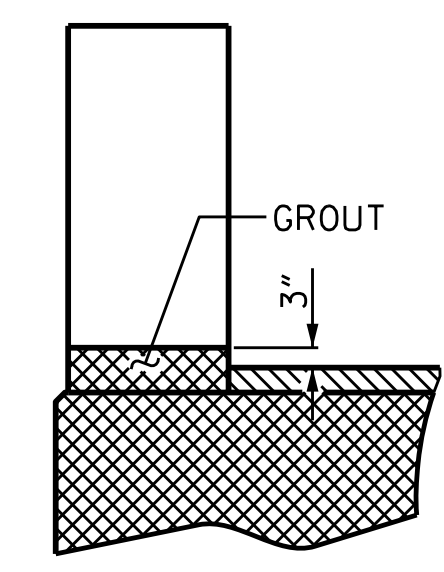
END VIEW



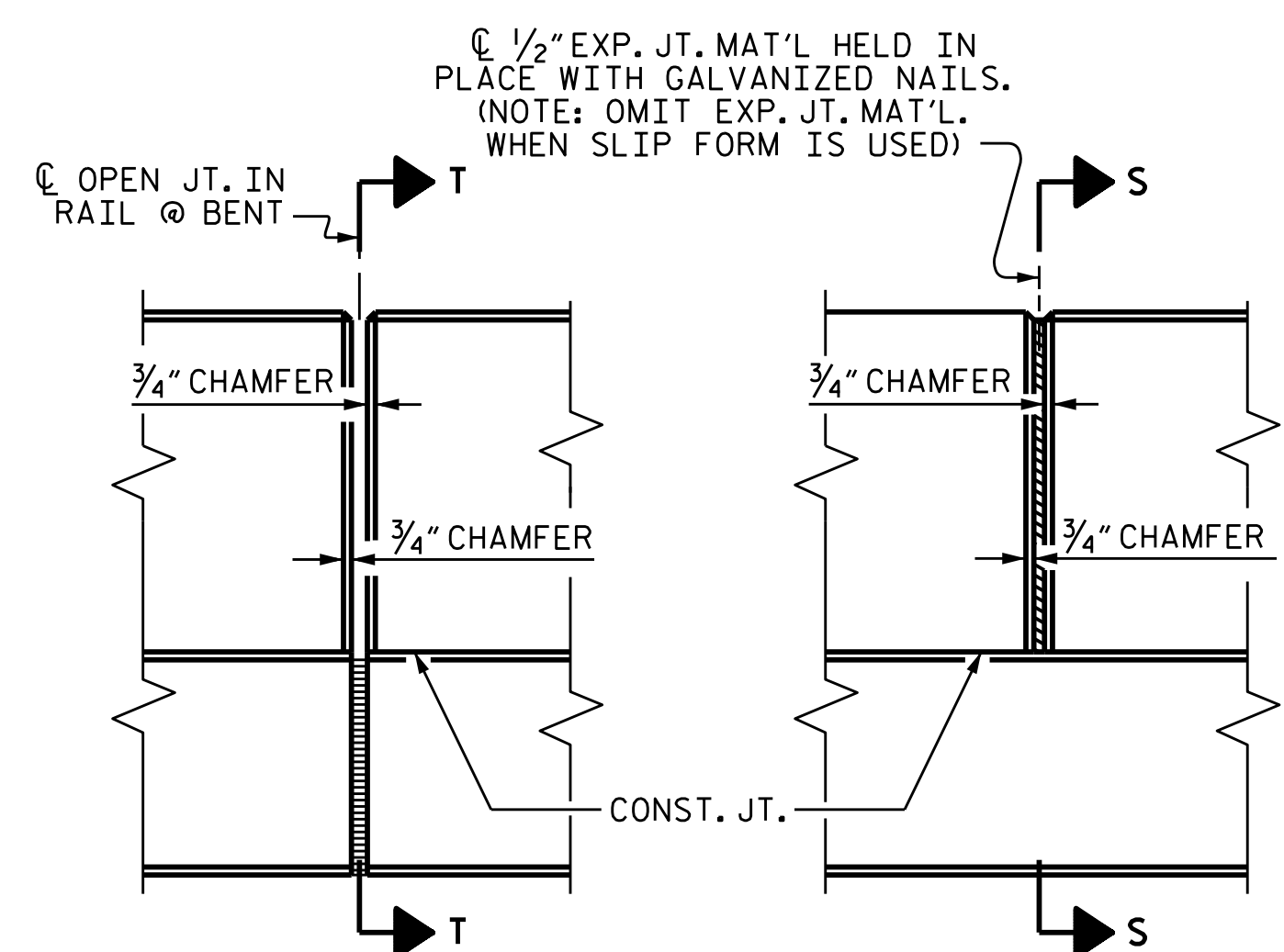
ELEVATION



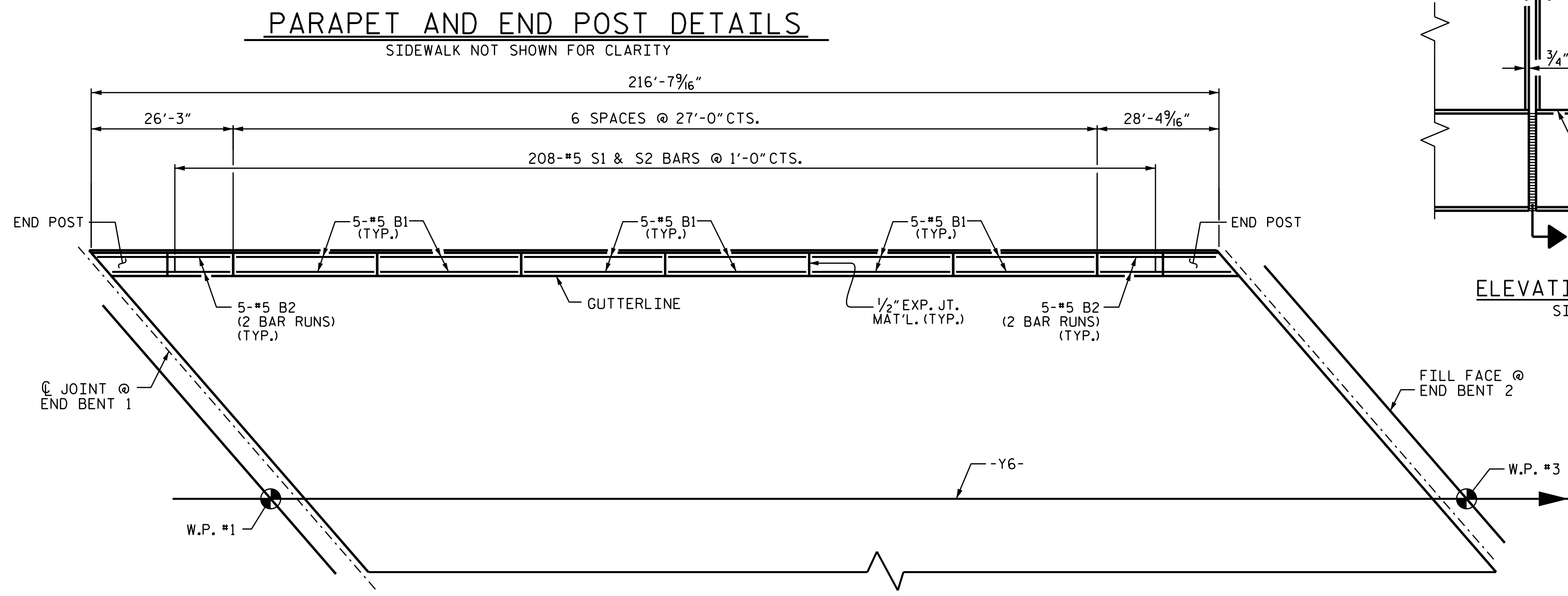
SECTION S-S  
AT DAM IN OPEN JOINT  
(THIS IS TO BE USED ONLY  
WHEN SLIP FORM IS USED)



SECTION T-T  
AT OPEN JOINT AT BENT  
(THIS IS TO BE USED WHERE  
FOAM JOINT IS NOT USED)



ELEVATION AT EXPANSION JOINTS  
SIDEWALK NOT SHOWN FOR CLARITY



PLAN OF PARAPET

LEFT SIDE SHOWN, RIGHT SIDE SIMILAR BY ROTATION AND WITH PROPOSED SIDEWALK.

**NOTES:**  
FOR DETAIL OF GUARDRAIL ANCHOR ASSEMBLY, SEE "GUARDRAIL ANCHORAGE DETAILS FOR METALS RAILS" SHEET.  
FOR DETAILS OF CONCRETE INSERT, SEE SHEET S1-18.  
NO ADDITIONAL PAYMENT SHALL BE MADE FOR THE CONCRETE END POSTS AS THIS IS CONSIDERED INCIDENTAL TO THE CONSTRUCTION OF THE 2 BAR METAL RAIL.  
THE #5 S3 BARS SHALL BE INSTALLED, USING AN ADHESIVE ANCHORING SYSTEM, AFTER SAWING THE JOINT. THE YIELD LOAD FOR THE #5 S3 BARS IS 18.6 KIPS. FIELD TESTING FOR THE ADHESIVE BONDING SYSTEM IS NOT REQUIRED.

PROJECT NO. U-2524D  
GUILFORD COUNTY  
STATION: 25+18.62 -Y6-



DocuSigned by:  
Ting Fang  
ET20840097435  
7/1/2016

STATE OF NORTH CAROLINA  
DEPARTMENT OF TRANSPORTATION  
RALEIGH  
SUPERSTRUCTURE  
PARAPET AND  
END POST DETAILS

DRAWN BY: C. YOKELEY  
CHECKED BY: T. H. FANG  
DESIGN ENGINEER OF RECORD: P. K. NEWTON  
DATE: 4/14  
DATE: 5/3/16  
DATE: 5/12/16

DOCUMENT NOT CONSIDERED FINAL UNLESS ALL SIGNATURES COMPLETED

REVISIONS						SHEET NO. S1-19 TOTAL SHEETS 33
NO.	BY:	DATE:	NO.	BY:	DATE:	
1			3			
2			4			