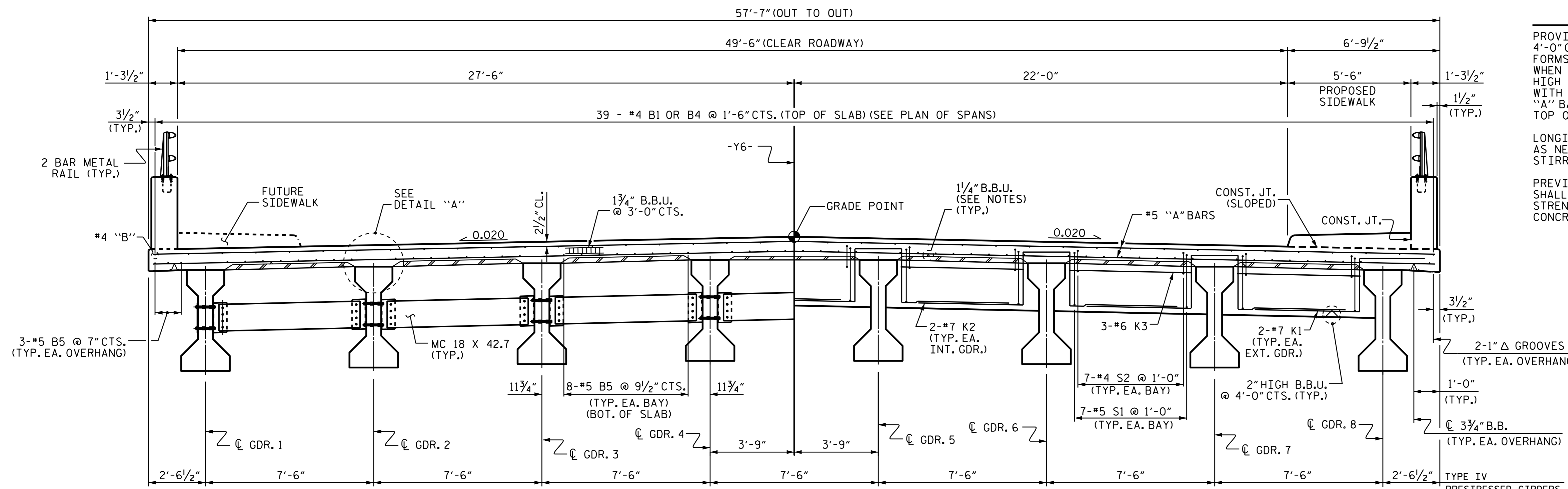


NOTES

PROVIDE 1/4" HIGH BEAM BOLSTERS UPPER AT 4'-0" CTS. ATOP THE METAL STAY-IN-PLACE FORMS TO SUPPORT THE BOTTOM MAT OF 'A' BARS. WHEN USING REMOVABLE FORMS, PROVIDE CONTINUOUS HIGH CHAIRS FOR METAL DECK (C.H.C.M.) @ 4'-0" CTS. WITH A HEIGHT TO SUPPORT THE BOTTOM MAT OF 'A' BARS A CLEAR DISTANCE OF 2 1/2" ABOVE THE TOP OF THE REMOVABLE FORMS.

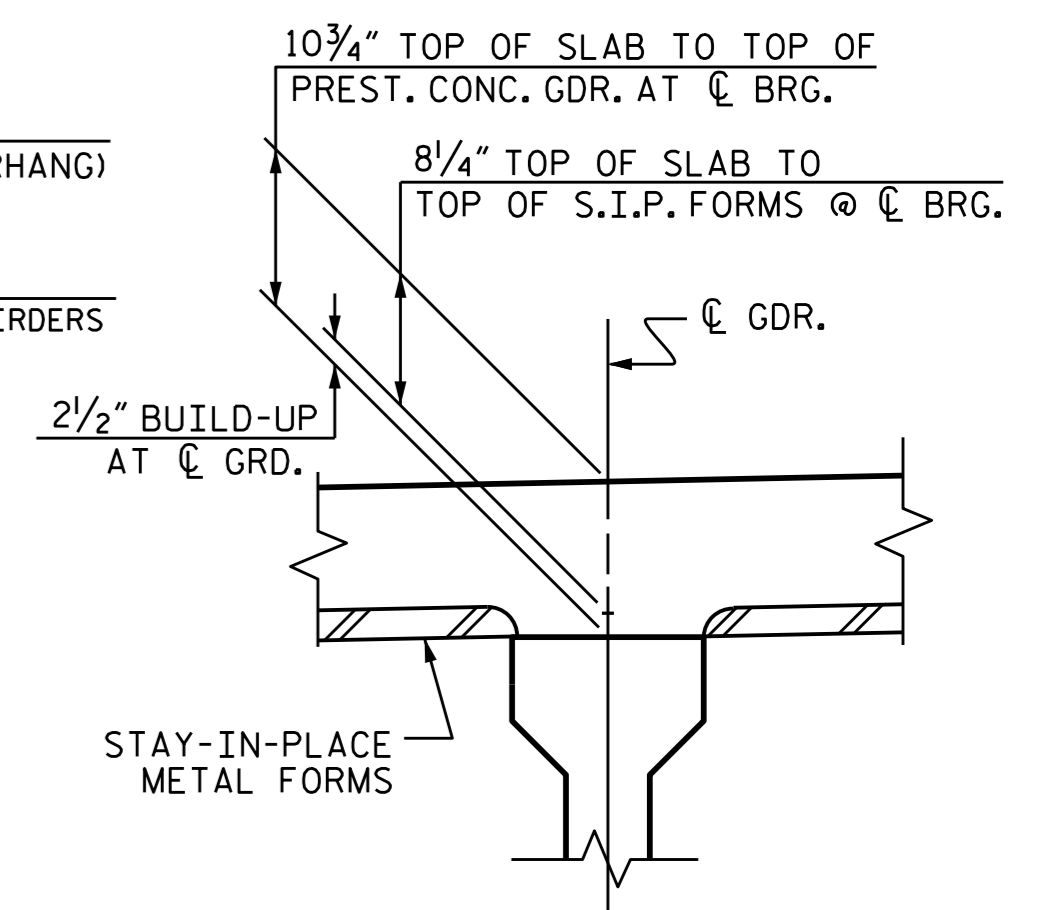
LONGITUDINAL STEEL MAY BE SHIFTED SLIGHTLY, AS NECESSARY, TO AVOID INTERFERENCE WITH STIRRUPS IN PRESTRESSED CONCRETE GIRDERS.

PREVIOUSLY CAST CONCRETE IN A CONTINUOUS UNIT SHALL HAVE ATTAINED A MINIMUM COMPRESSIVE STRENGTH OF 3,000 PSI BEFORE ADDITIONAL CONCRETE IS CAST IN THE UNIT.

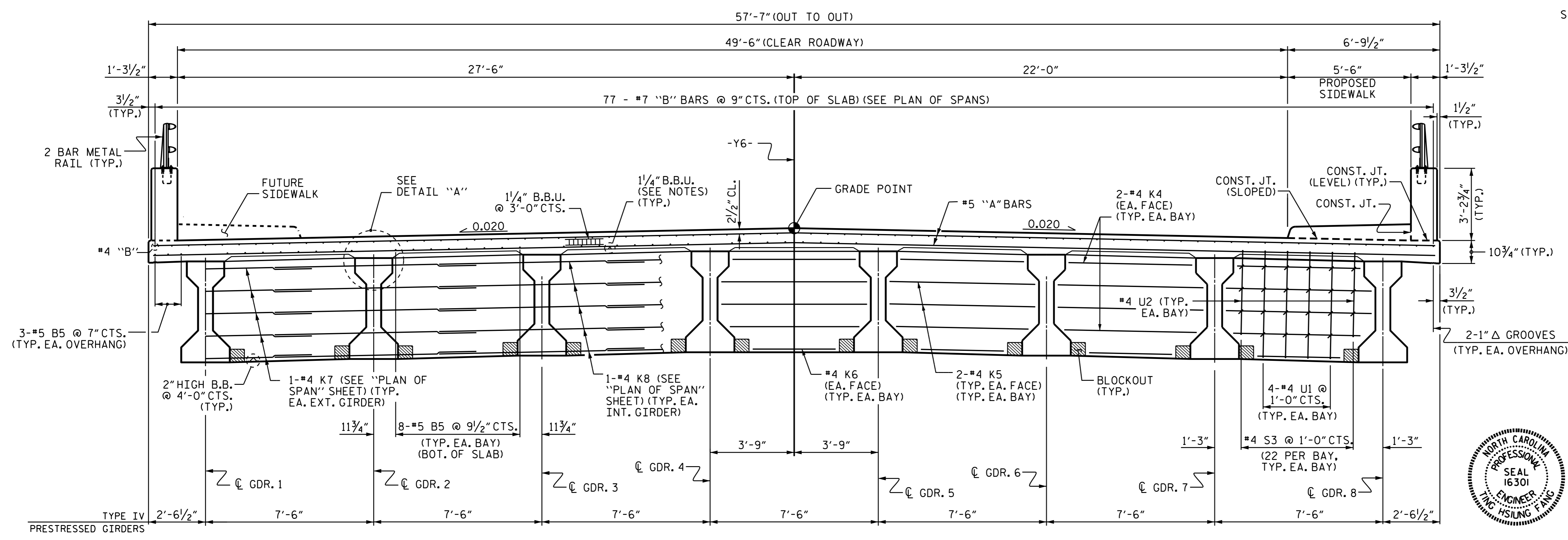


HALF TYPICAL SECTION
SHOWING INTERMEDIATE DIAPHRAGMS

HALF TYPICAL SECTION
SHOWING END BENT DIAPHRAGMS



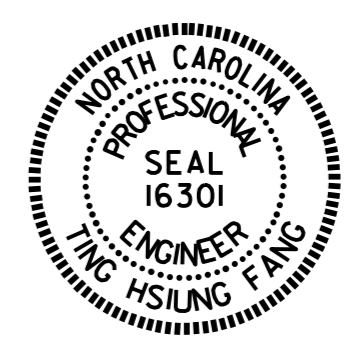
DETAIL "A"



TYPICAL SECTION
SHOWING BENT DIAPHRAGMS

PROJECT NO. U-2524D
GUILFORD COUNTY
STATION: 25+18.62 -Y6-

SHEET 1 OF 2



STATE OF NORTH CAROLINA
DEPARTMENT OF TRANSPORTATION
RALEIGH

SUPERSTRUCTURE
TYPICAL SECTION

DRAWN BY: P.N.HOLDER DATE: 3/16
CHECKED BY: T.H.FANG DATE: 5/3/16
DESIGN ENGINEER OF RECORD: P.K.NEWTON DATE: 5/12/16

DocuSigned by:
Ting Fang
E7208400977435

7/1/2016

DOCUMENT NOT CONSIDERED
FINAL UNLESS ALL
SIGNATURES COMPLETED

REVISIONS						SHEET NO. S1-5 TOTAL SHEETS 33
NO.	BY:	DATE:	NO.	BY:	DATE:	
1			3			
2			4			