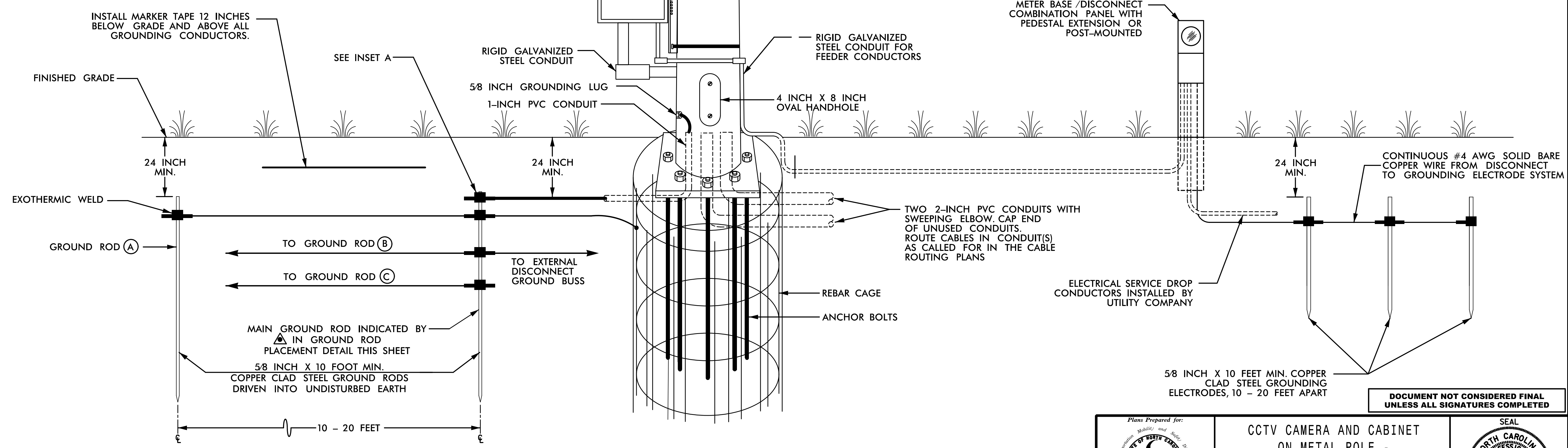
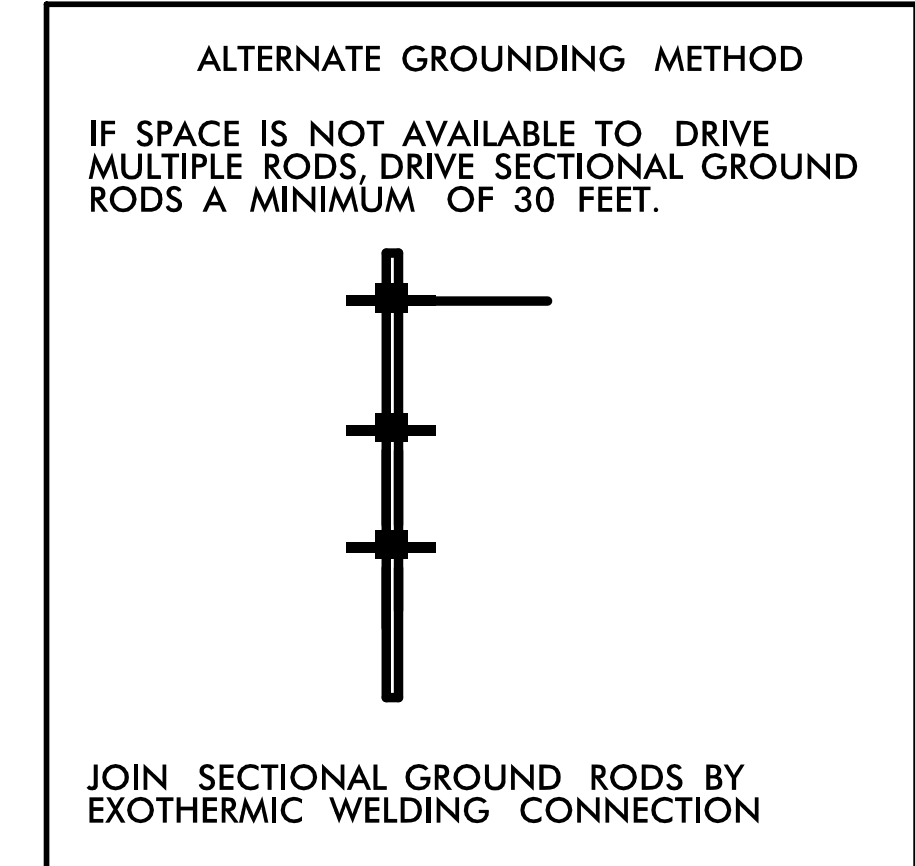


- NOTES**
1. BOND 0.5 INCH DIAMETER, 28 STRAND (MINIMUM) CLASS II COPPER CONDUCTOR TO THE MAIN GROUND ROD BY AN EXOTHERMIC WELD METHOD.
 2. EXOTHERMICALLY WELD ALL CONNECTIONS TO GROUND RODS.
 3. BOND #4 AWG SOLID BARE COPPER WIRE TO REBAR CAGE AND THE MAIN GROUND ROD BY AN EXOTHERMIC WELD METHOD.
 4. ENSURE CAMERA HOUSING, CAMERA, AND PAN -TILT UNIT ARE BONDED TO POLE.
 5. REMOVE BONDING JUMPER BETWEEN EQUIPMENT CABINET GROUND BUSS AND NEUTRAL BUSS.
 6. THE CONTRACTOR MAY, UPON APPROVAL OF THE ENGINEER, INSTALL A 30-FOOT SECTIONAL GROUND ROD WHEN CONDITIONS WILL NOT ALLOW FOR THE INSTALLATION OF THE 3 - RADIAL GROUND RODS.
 7. INSTALL MARKER TAPE DIRECTLY ABOVE ALL GROUNDING ELECTRODES AND CONDUCTORS AT A DEPTH OF 12 INCHES.



DOCUMENT NOT CONSIDERED FINAL UNLESS ALL SIGNATURES COMPLETED

HNTB HNTB NORTH CAROLINA, P.C.
343 E. Six Forks Road, Suite 200
Raleigh, North Carolina 27609
NC License No: C-1554

	CCTV CAMERA AND CABINET ON METAL POLE - TYPICAL UNDERGROUND SERVICE		
	DIVISION 7 PLAN DATE: APRIL 2016 PREPARED BY: T.R. TERRELL	GUILFORD CO. REVIEWED BY: A.D. KLINKSIEK REVIEWED BY: H.L. WINSTEAD	
SCALE: NONE	REVISIONS:	INITI.:	DATE:

DocuSigned By: H.L. Winstead, Jr. 4/25/2016
ESS182981472474
CADD File Name: U2524D ITS-06.dgn