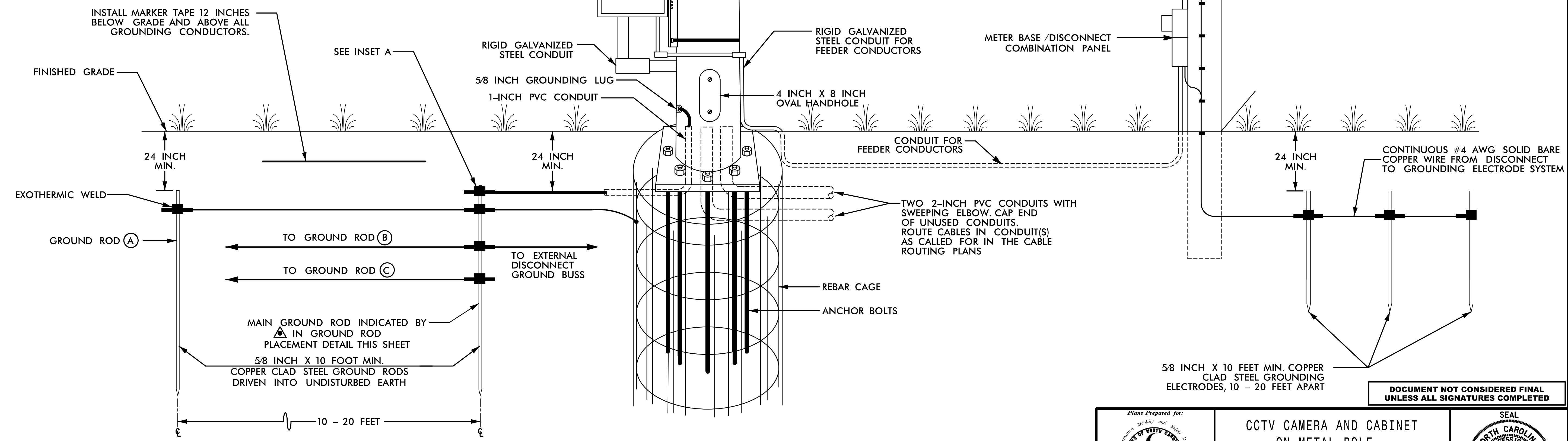
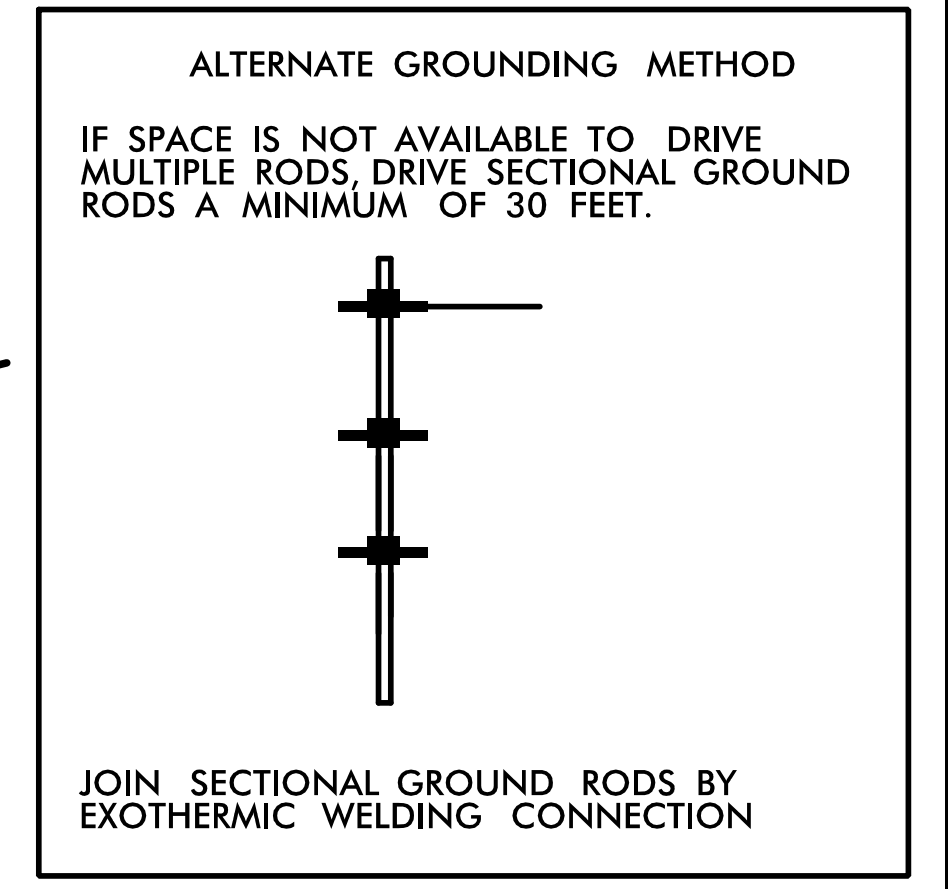


- NOTES**
1. BOND 0.5 INCH DIAMETER, 28 STRAND (MINIMUM) CLASS II COPPER CONDUCTOR TO THE MAIN GROUND ROD BY AN EXOTHERMIC WELD METHOD.
  2. EXOTHERMICALLY WELD ALL CONNECTIONS TO GROUND RODS.
  3. BOND #4 AWG SOLID BARE COPPER WIRE TO REBAR CAGE AND THE MAIN GROUND ROD BY AN EXOTHERMIC WELD METHOD.
  4. ENSURE CAMERA HOUSING, CAMERA, AND PAN-TILT UNIT ARE BONDED TO POLE.
  5. REMOVE BONDING JUMPER, IF PRESENT, BETWEEN EQUIPMENT CABINET GROUND BUSS AND NEUTRAL BUSS.
  6. THE CONTRACTOR MAY, UPON APPROVAL OF THE ENGINEER, INSTALL A 30-FOOT SECTIONAL GROUND ROD WHEN CONDITIONS WILL NOT ALLOW FOR THE INSTALLATION OF THE 3 RADIAL GROUND RODS.
  7. INSTALL MARKER TAPE DIRECTLY ABOVE ALL GROUNDING ELECTRODES AND CONDUCTORS AT A DEPTH OF 12 INCHES.



DOCUMENT NOT CONSIDERED FINAL UNLESS ALL SIGNATURES COMPLETED

**HNTB** HNTB NORTH CAROLINA, P.C.  
343 E. Six Forks Road, Suite 200  
Raleigh, North Carolina 27609  
NC License No: C-1554

	<b>CCTV CAMERA AND CABINET ON METAL POLE - TYPICAL OVERHEAD SERVICE</b>		
	DIVISION 7 GUILFORD CO. GREENSBORO PLAN DATE: APRIL 2016 REVIEWED BY: A.D. KLINKSIEK PREPARED BY: T.R. TERRELL REVIEWED BY: H.L. WINSTEAD, JR.		
SCALE	REVISIONS	INIT.	DATE
NONE			

DocuSigned by: H.L. Winstead, Jr. 4/25/2016  
ES182061472474  
SIGNATURE DATE  
CADD File name: U2524D ITS-05.dgn