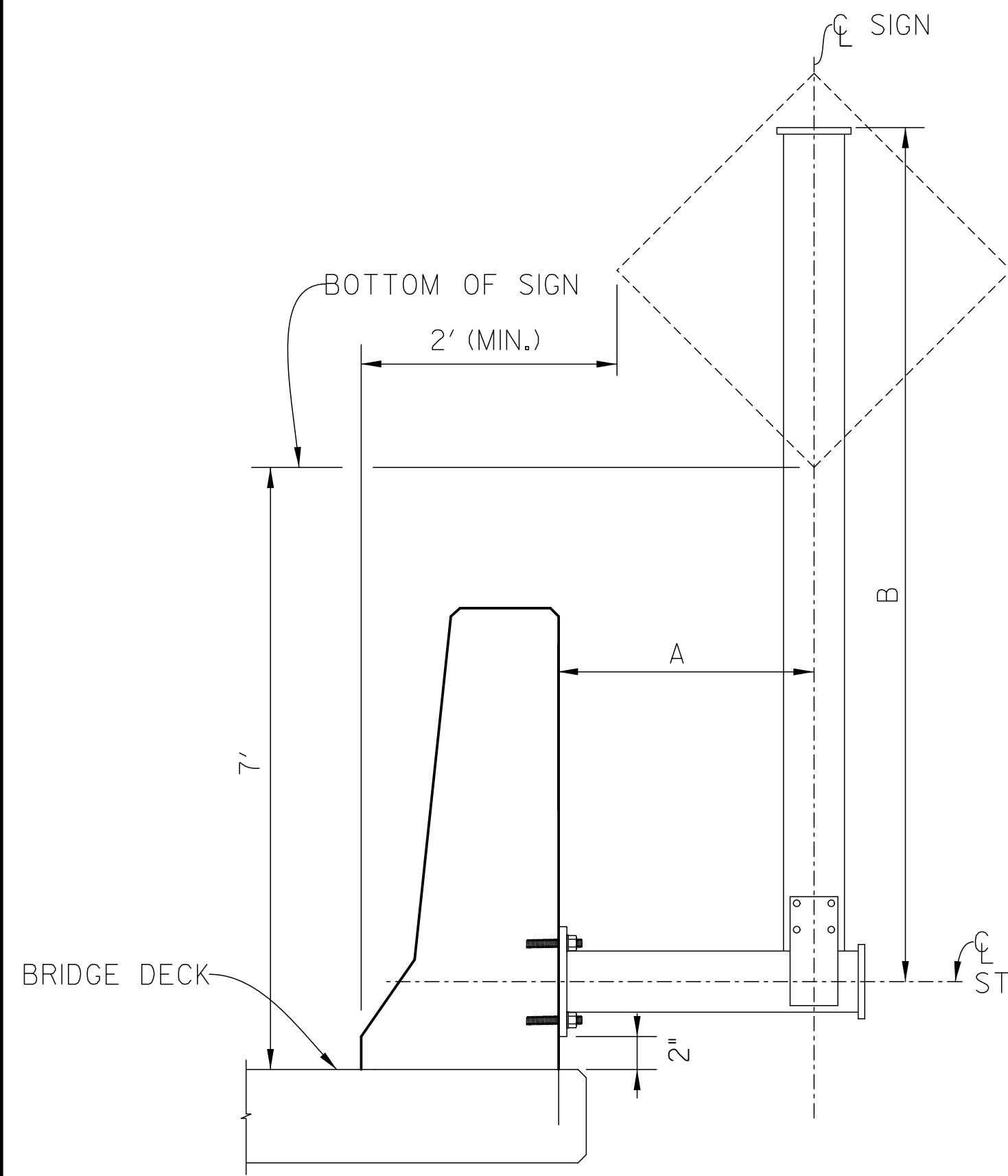


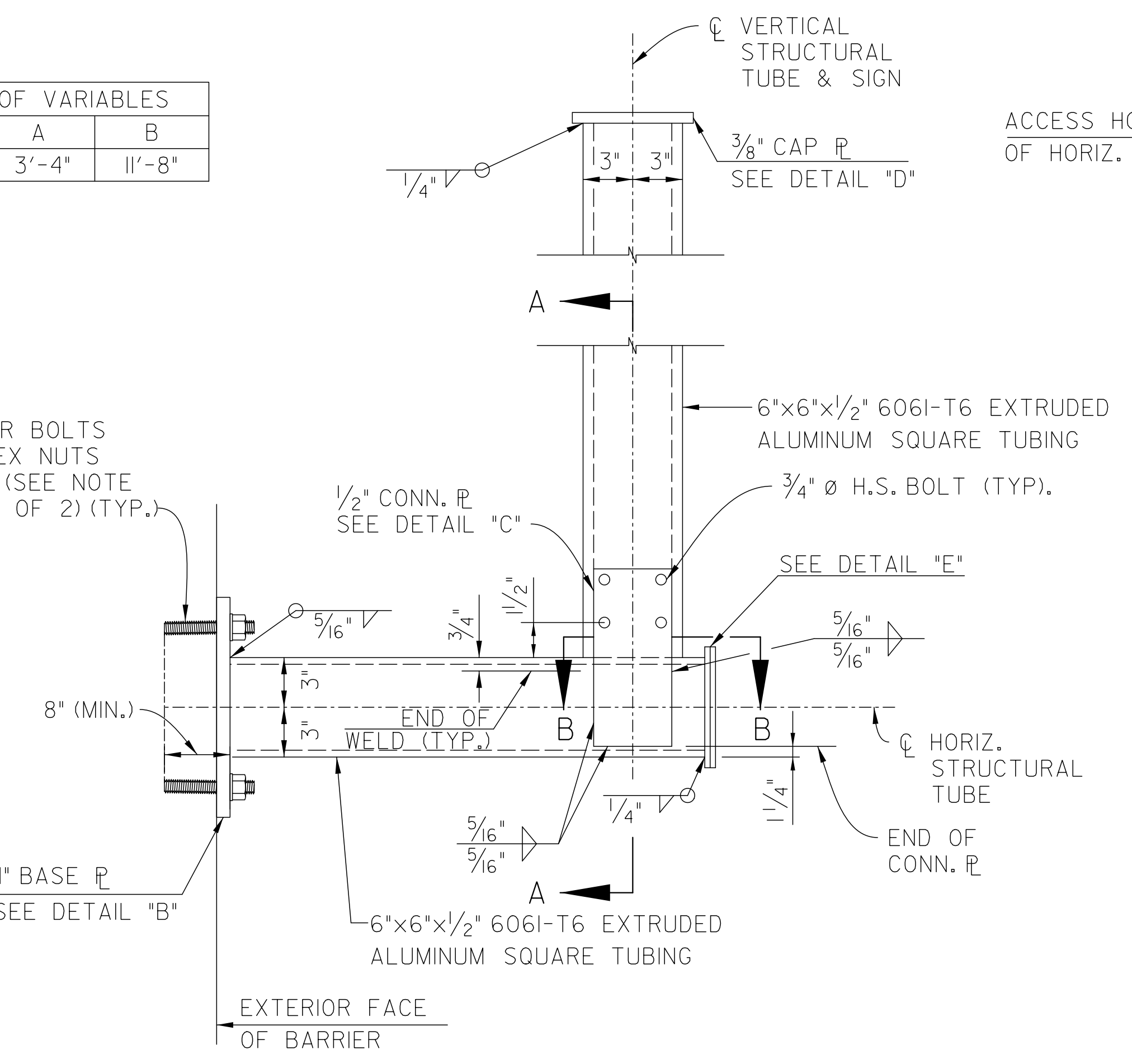
TIP NO. U-2524D	SHEET NO. SIGN-2D
APPROVED: <i>David W. Hawkins</i> 6/15/2016	
DATE: 6/15/2016	
SEAL	
DOCUMENT NOT CONSIDERED FINAL UNLESS ALL SIGNATURES COMPLETED	



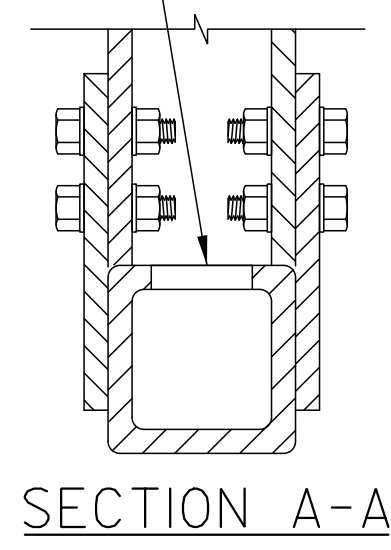
SIGN SUPPORT BRACKET

SIGN NO.	A	B
401	3'-4"	11'-8"

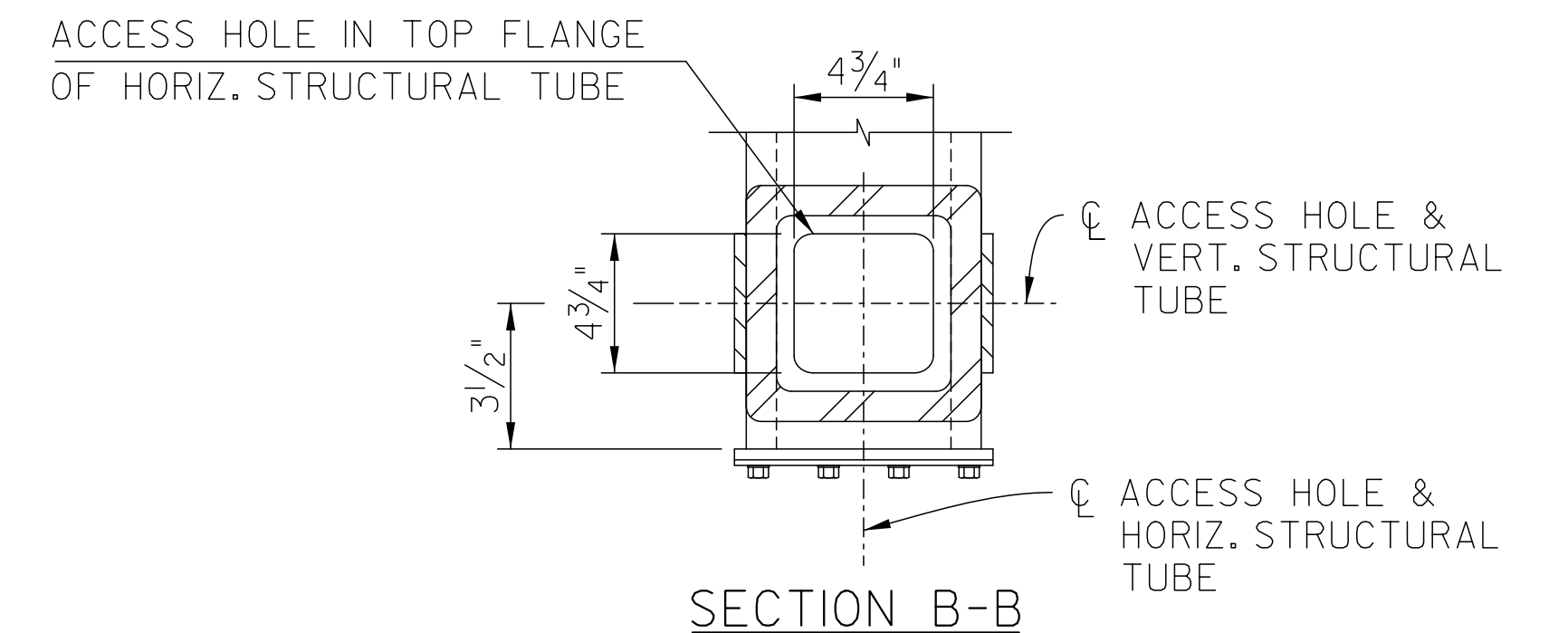
1" \varnothing H.S. ANCHOR BOLTS WITH HEAVY HEX NUTS AND WASHERS (SEE NOTE 8 ON SHEET 2 OF 2) (TYP.)



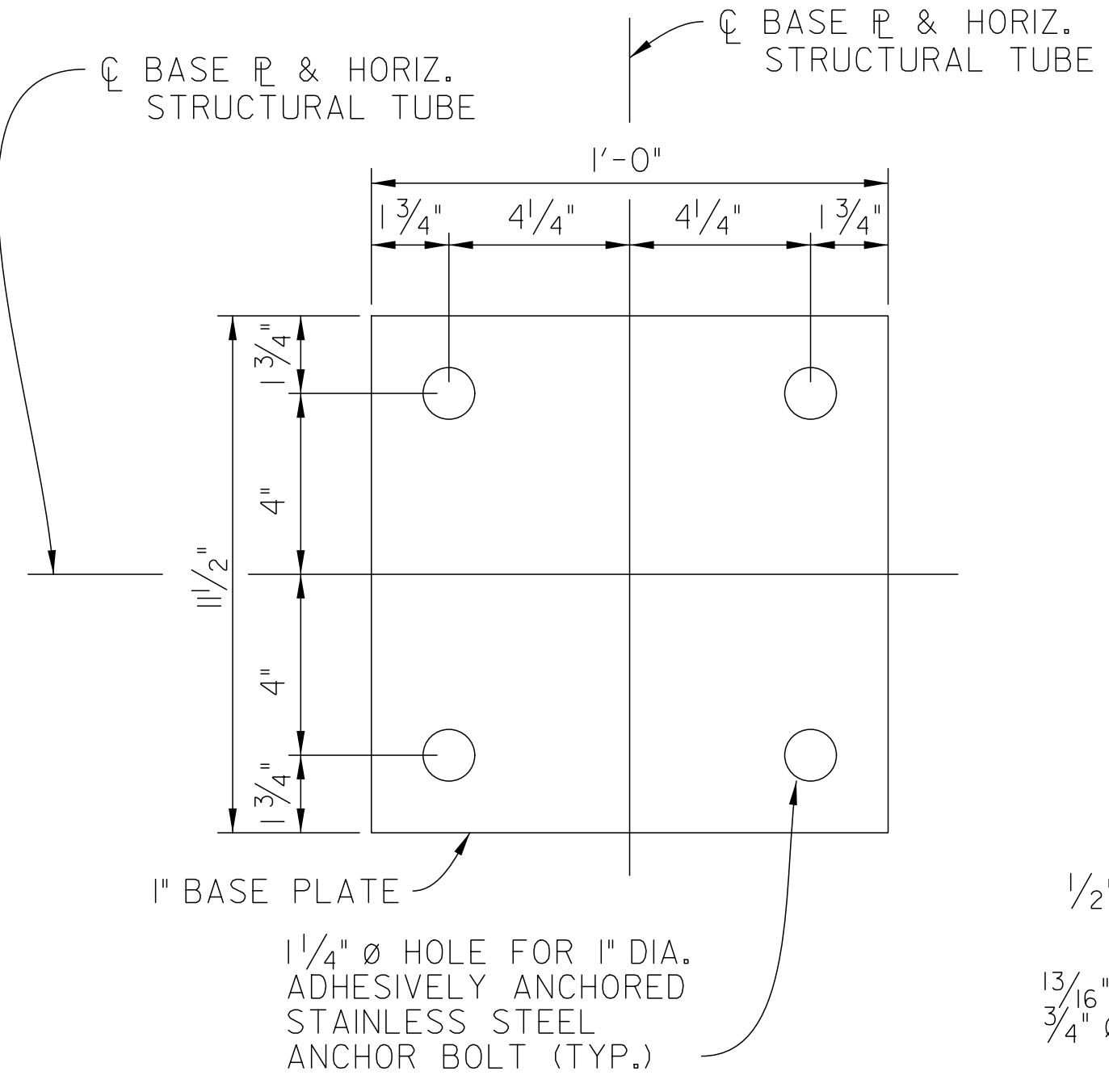
DETAIL "A"



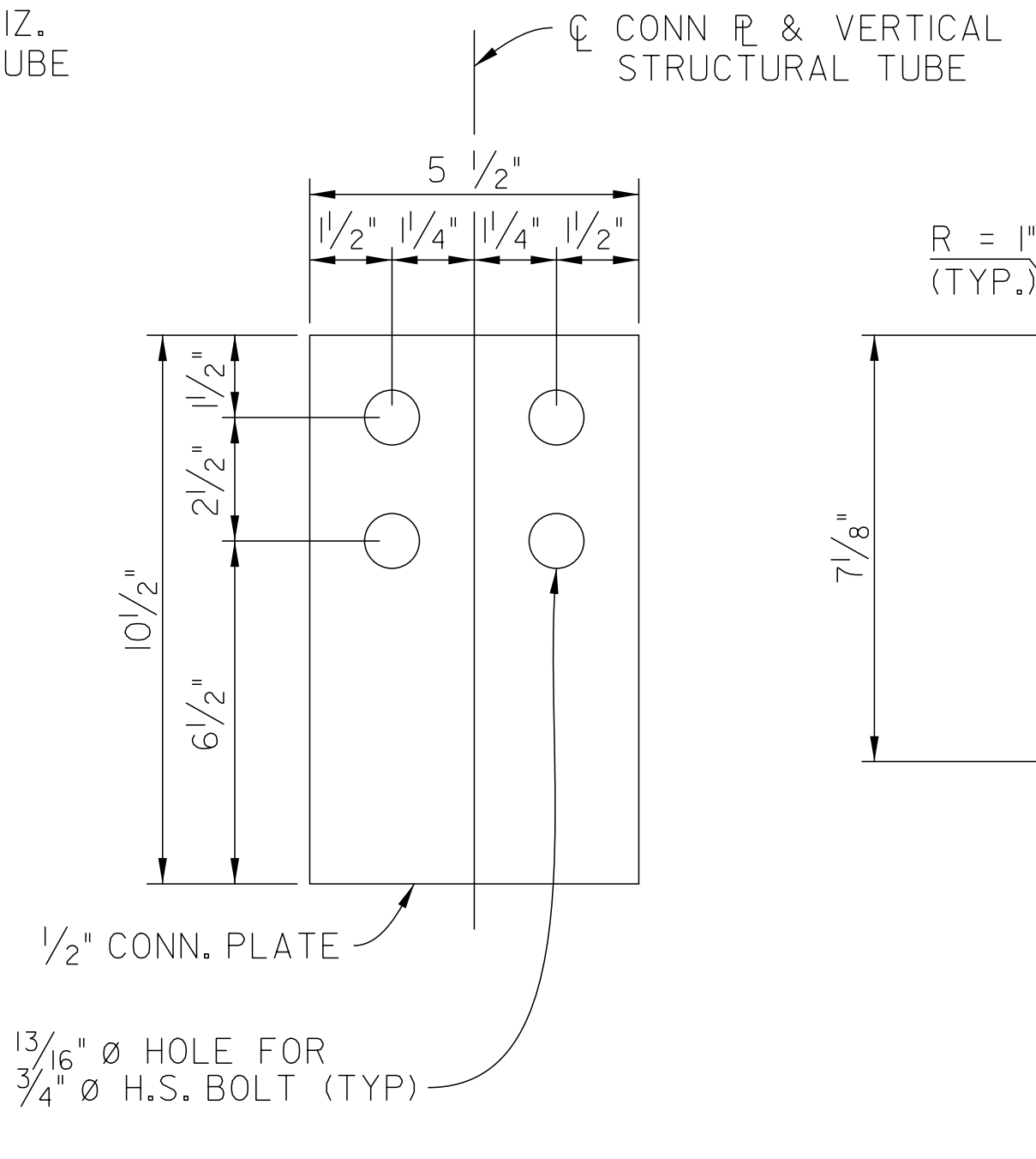
SECTION A-A



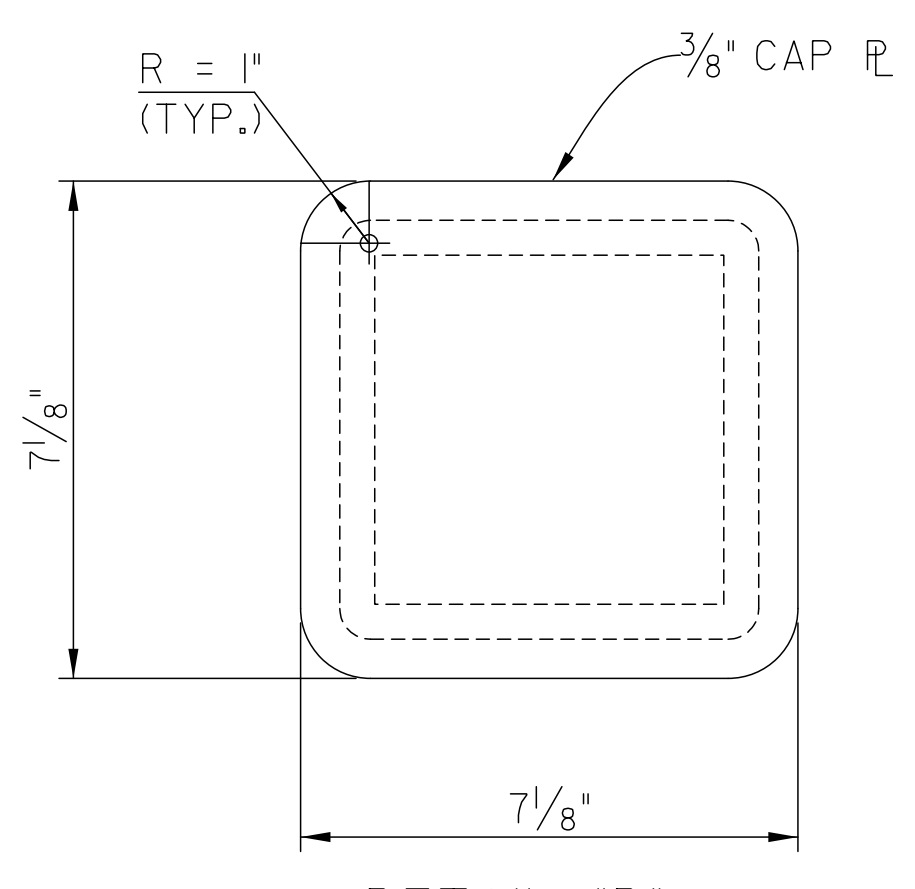
SECTION B-B



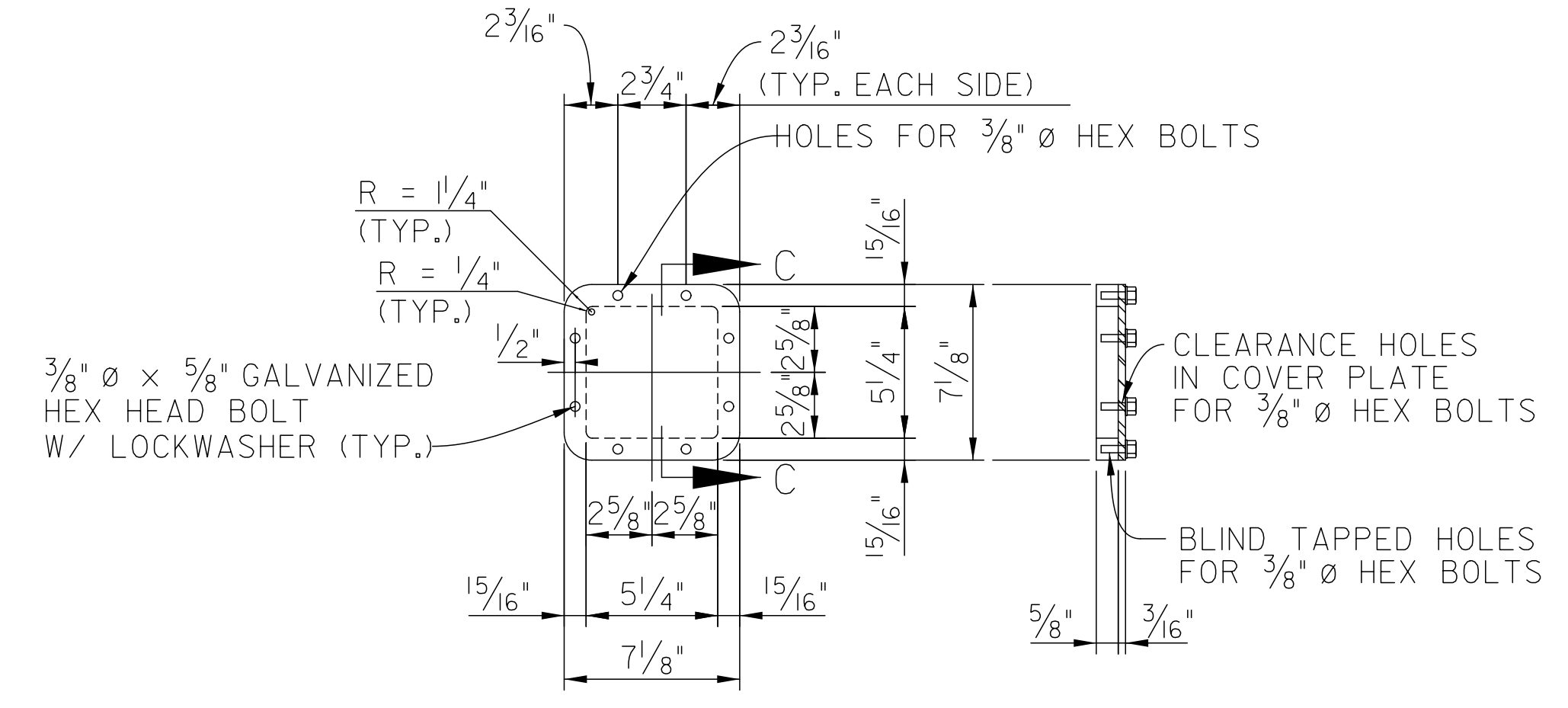
DETAIL "B"



DETAIL "C"



DETAIL "D"



DETAIL "E"

SECTION C-C

NOTE:
SEE NOTES ON SHEET 2 OF 2