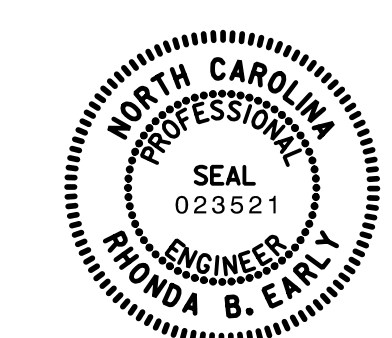


TIP NO. U-2524D	SHEET NO. PMP-1A
Approved by: <i>Rhonda B. Early</i> F34CAFAC6BF48A...	
DATE: 5/4/2016	
SEAL 	
DOCUMENT NOT CONSIDERED FINAL UNLESS ALL SIGNATURES COMPLETED	

FINAL PAVEMENT MARKING SCHEDULE

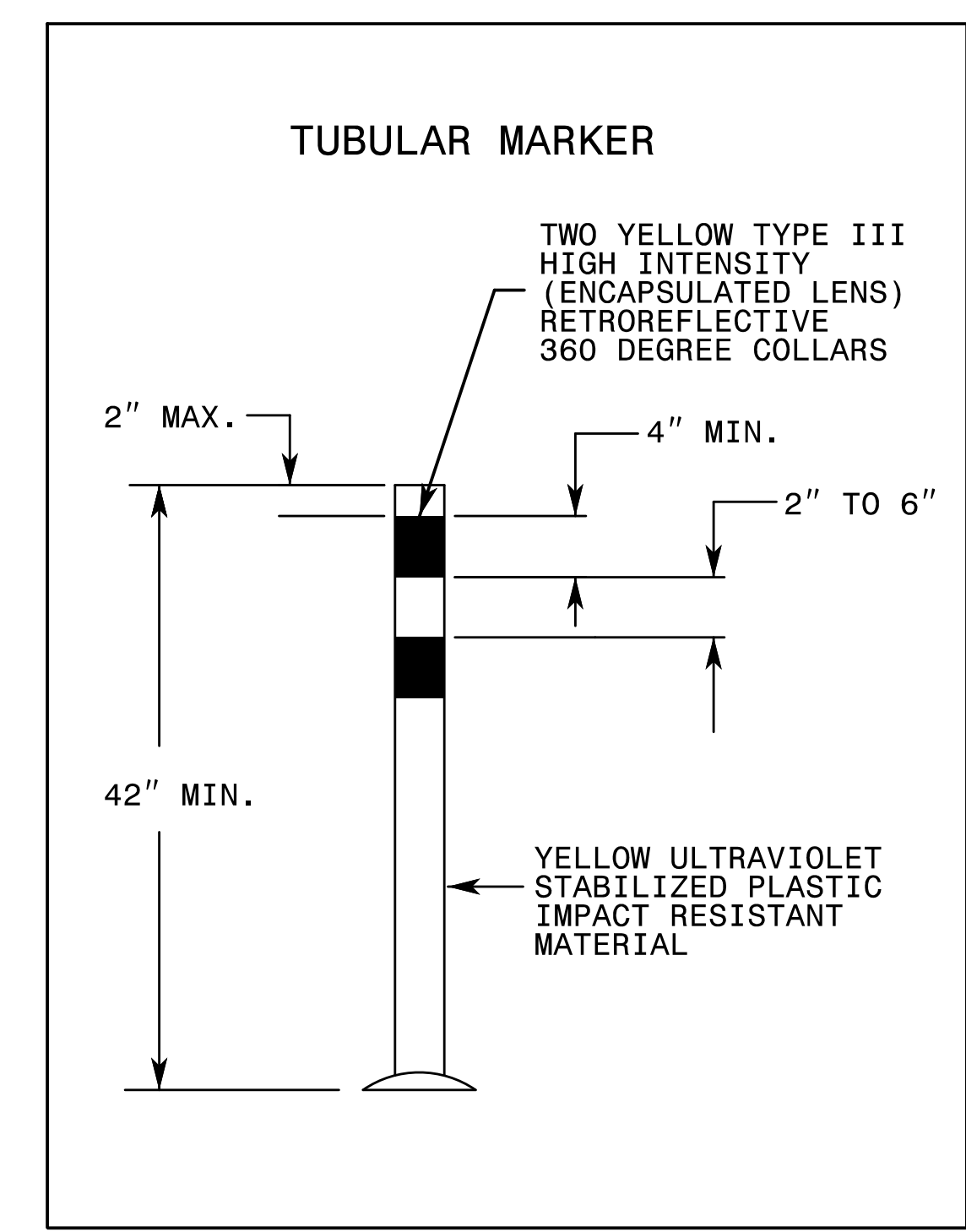
MATERIAL	SYMBOL	DESCRIPTION
PAVEMENT MARKING		
<u>POLYUREA (4") HIGHLY REFLECTIVE ELEMENTS</u>		
	V8	2'-6' WHITE MINISKIP
	VA	WHITE EDGELINE
	VB	YELLOW EDGELINE
	VC	10' WHITE SKIP
	VD	3'-9' WHITE MINI KIP
	VE	WHITE SOLID LANE LINE
	VF	10' YELLOW SKIP
	VH	YELLOW SINGLE CENTER
	VI	YELLOW DOUBLE CENTER
<u>POLYUREA (6") HIGHLY REFLECTIVE ELEMENTS</u>		
	V6	WHITE EDGELINE
	V7	YELLOW EDGELINE
	V11	2'-6' WHITE MINISKIP
	VJ	10' WHITE SKIP
	VK	3'-9' WHITE MINISKIP
	VL	WHITE LANE LINE
<u>POLYUREA (8") HIGHLY REFLECTIVE ELEMENTS</u>		
	VN	WHITE GORELINE
<u>POLYUREA (12") HIGHLY REFLECTIVE ELEMENTS</u>		
	VS	WHITE GORELINE
	VT	WHITE SOLID LANE LINE

MATERIAL	SYMBOL	DESCRIPTION
PAVEMENT MARKING		
<u>THERMOPLASTIC (8", 90 MILS)</u>		
	TP	YELLOW DIAGONAL
<u>THERMOPLASTIC (8", 120 MILS)</u>		
	TQ	WHITE CROSSWALK LINE
<u>THERMOPLASTIC (24", 120 MILS)</u>		
	T2	WHITE STOP BAR
	T3	WHITE CROSSWALK LINE
<u>THERMOPLASTIC SYMBOL (90 MILS)</u>		
	UA	LEFT TURN ARROW
	UB	RIGHT TURN ARROW
	UC	STRAIGHT ARROW
	UN	24" YIELD LINE
	UP	MERGE ARROW
	UQ	RAMP ARROW
<u>PERMANENT RAISED PAVEMENT MARKERS</u>		
	MA	YELLOW & YELLOW CRYSTAL & RED
	MB	CRYSTAL & RED
<u>SNOWPLOWABLE PAVEMENT MARKERS</u>		
	ME	YELLOW & YELLOW CRYSTAL & RED
	MF	CRYSTAL & RED

LEGEND

- GENERAL**
- DIRECTION OF TRAFFIC FLOW
 - NORTH ARROW
 - PROPOSED PVMT. EXIST. PVMT.

- PAVEMENT MARKINGS**
- PAVEMENT MARKING SYMBOLS



2:44:52 PM
 \\PMP\U2524D_PMP_PMP01A.dgn
 \$\$\$USERNAME\$\$\$



FINAL PAVEMENT MARKING SCHEDULE