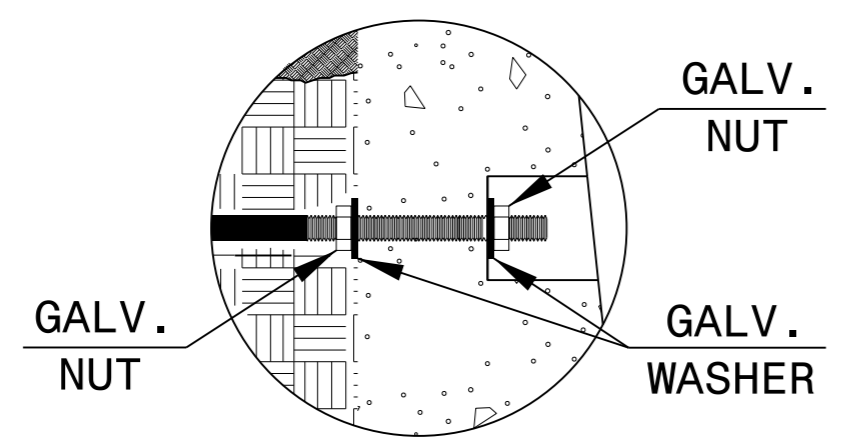


REFER TO STANDARD NO.862.01  
SHEET 1 OF 11

REFER TO STANDARD NO.862.01  
SHEET 1 OF 11

SINGLE FACED PRECAST CONCRETE  
BARRIER SEE STD. DWG. 857.01

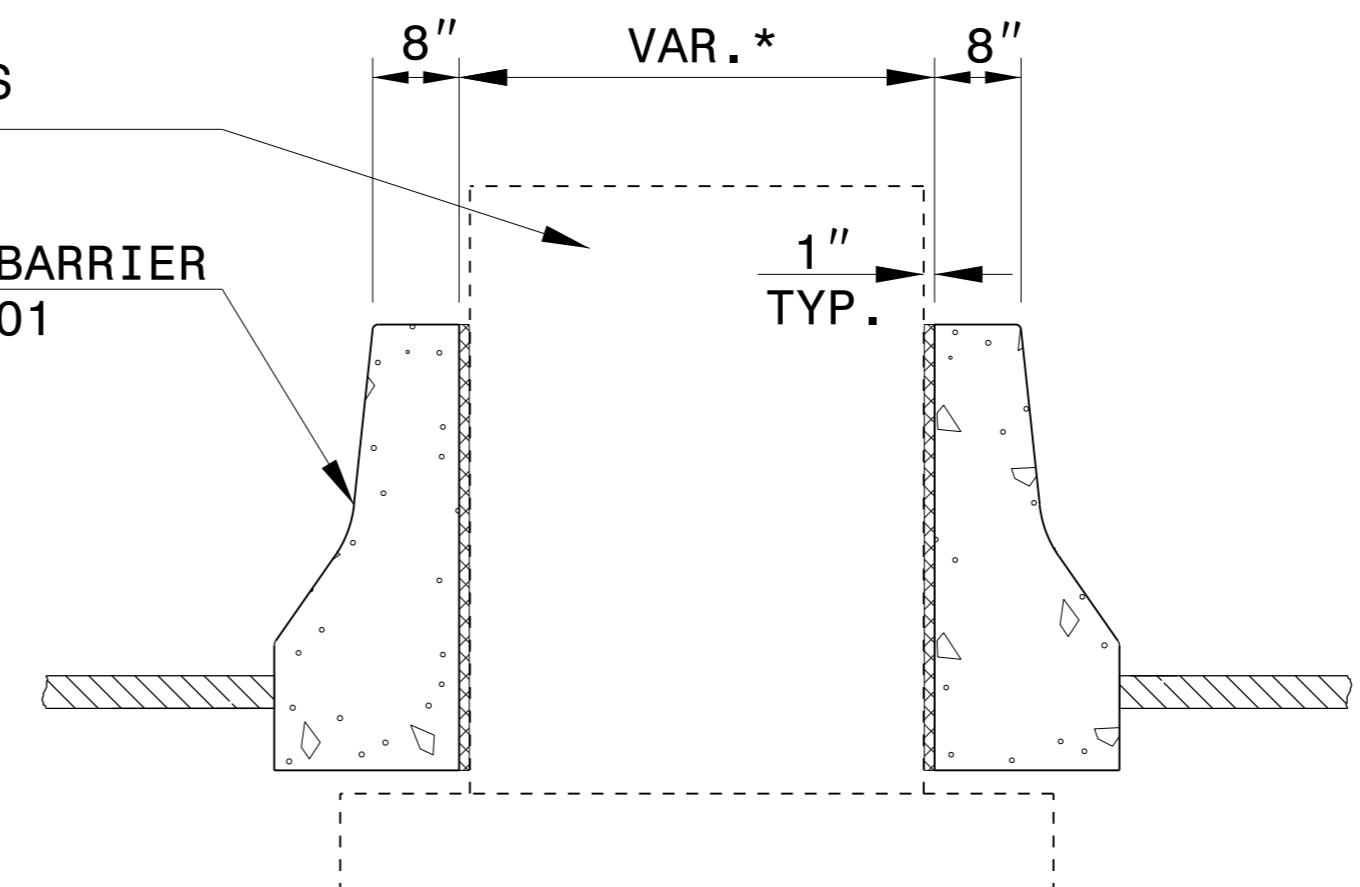
3" CONCRETE COVER



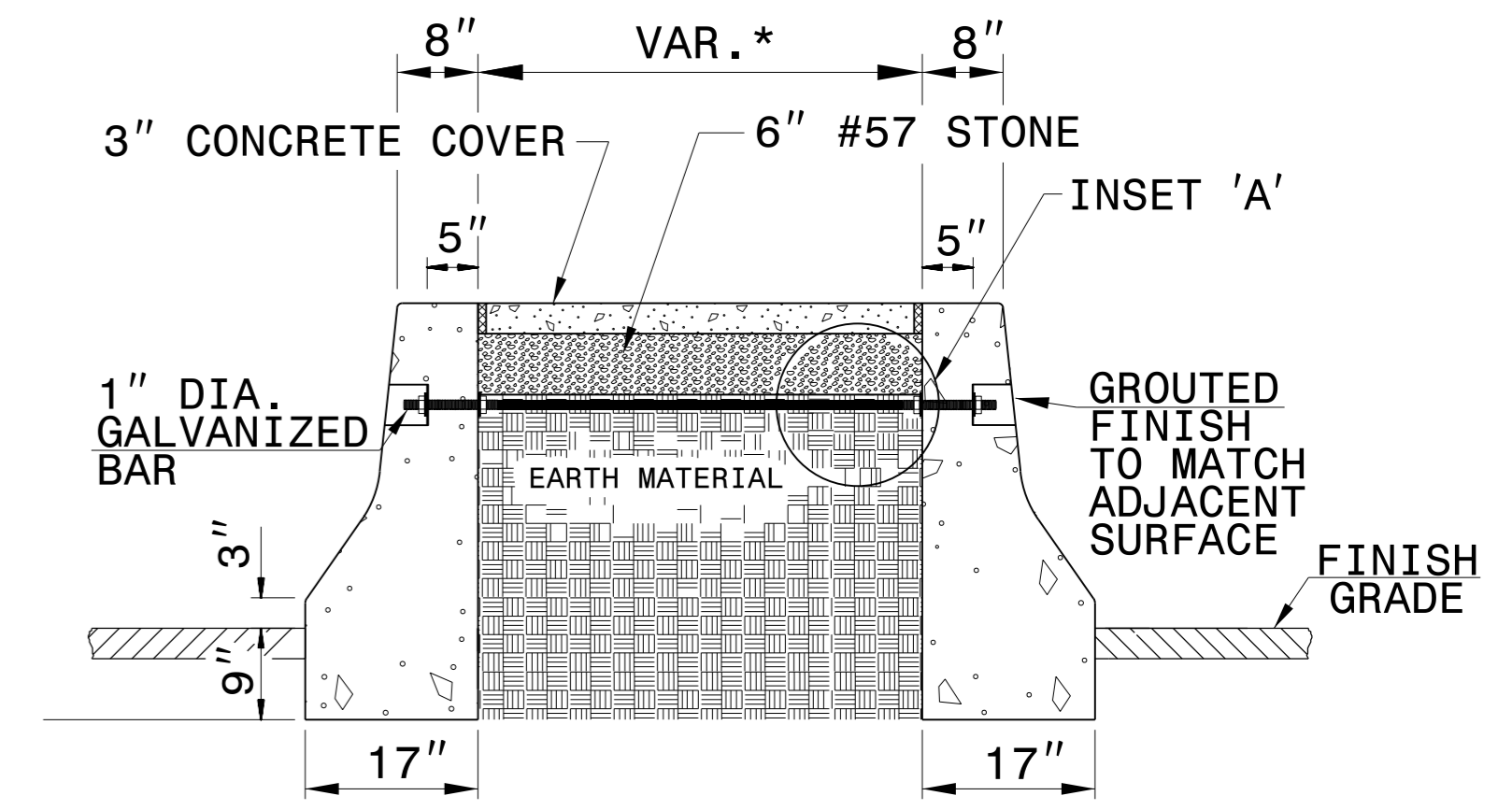
**INSET 'A'**

BRIDGE PIERS

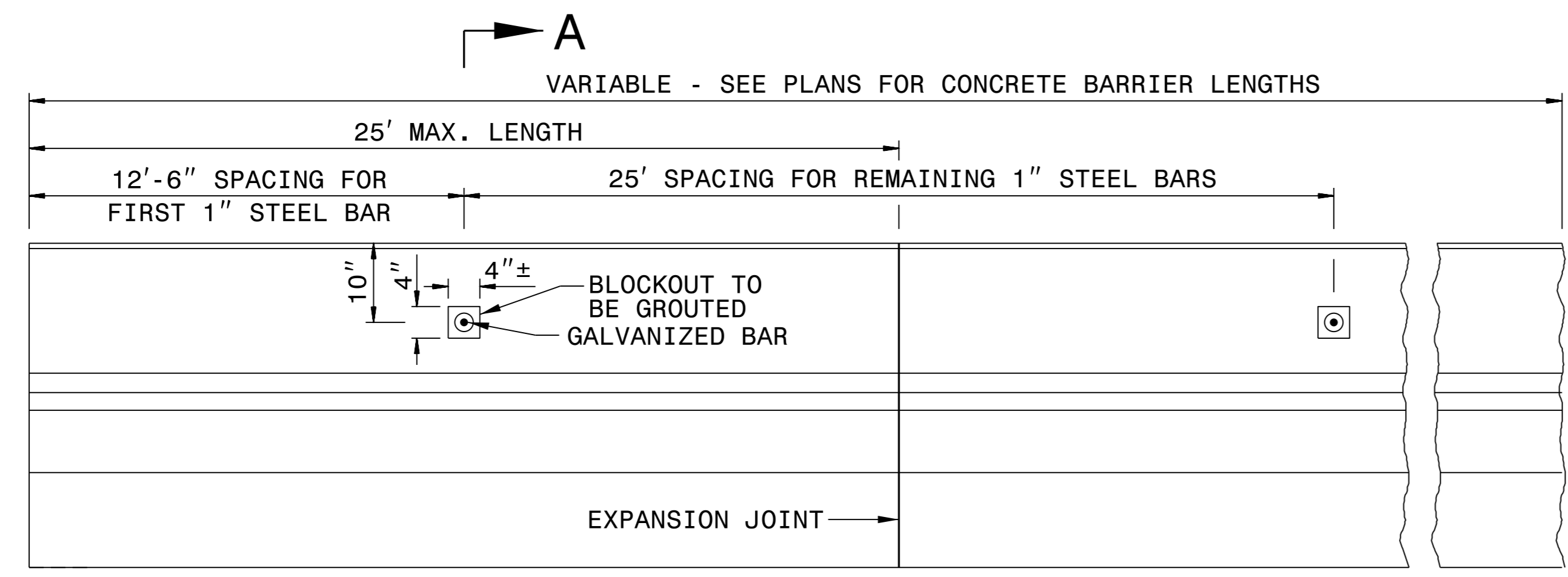
PRECAST CONCRETE BARRIER  
SEE STANDARD 857.01



**SECTION A-A**



**SECTION B-B**

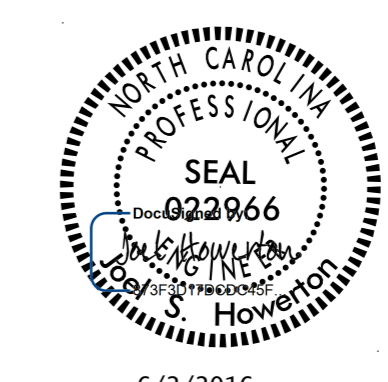


**ELEVATION**

**GENERAL NOTES:**

- \*THIS DIMENSION MAY VARY DEPENDING ON THE WIDTH OF THE PIER.
- INSET FIRST 1" DIA. GALVANIZED BAR 12'-6" AND SPACE THE REMAINING 1" BARS AT 25'-0".
- USE AN APPROVED BONDING SYSTEM IN ACCORDANCE WITH SECTION 1081-1, TYPE 3A OF THE STANDARD SPECIFICATIONS.
- USE CLASS B CONCRETE FOR THE CONCRETE COVER
- SEAL ALL EXPANSION JOINTS WITH JOINT FILLER (SEE SECTION 1028 OF THE SPECIFICATIONS).
- PLACE A 1" BAR BETWEEN EACH SET OF PIERS

TIME \$\$\$\$  
 CHECKED BY \$\$\$\$  
 DATE \$\$\$\$  
 DRAWN BY \$\$\$\$  
 DATE \$\$\$\$  
 PROJECT \$\$\$\$  
 SHEET \$\$\$\$  
 TOTAL \$\$\$\$



6/2/2016

DOCUMENT NOT CONSIDERED FINAL  
UNLESS ALL SIGNATURES COMPLETED

**CONTRACT STANDARDS  
AND DEVELOPMENT UNIT**  
Office 919-707-6950 FAX 919-250-4119

**DETAIL OF MEDIAN  
HAZARD PROTECTION**

ORIGINAL BY: T.S. Spell	DATE: 2-4-10
MODIFIED BY:	DATE:
CHECKED BY:	DATE:
FILE SPEC.: ;howerton\Barrier Cover for Median Hazard Protection	