

- 1 INSTALL 3-WIRE COPPER SERVICE ENTRANCE CONDUCTORS
- 2 INSTALL 3-WIRE COPPER FEEDER CONDUCTORS
- 3 INSTALL 4-WIRE COPPER FEEDER CONDUCTORS
- 4 INSTALL SMFO CABLE
- 5 INSTALL MMFO CABLE
- 6 INSTALL FIBER OPTIC DROP CABLE
- 7 INSTALL TRACER WIRE
- 8 TRENCH OR PLOW
- 9 INSTALL PVC CONDUIT
- 10 INSTALL RIGID, GALVANIZED STEEL CONDUIT
- 11 INSTALL RIGID, GALVANIZED STEEL RISER WITH WEATHERHEAD
- 12 INSTALL RIGID, GALVANIZED STEEL RISER WITH FIBER OPTIC CABLE SEAL
- 13 INSTALL OUTER-DUCT POLYETHYLENE CONDUIT
- 14 INSTALL POLYETHYLENE CONDUIT
- 15 DIRECTIONAL DRILL CONDUIT
- 16 BORE AND JACK CONDUIT
- 17 INSTALL CABLE(S) IN EXISTING CONDUIT
- 18 INSTALL CABLE(S) IN NEW CONDUIT
- 19 INSTALL CABLE(S) IN EXISTING RISER
- 20 INSTALL CABLE(S) IN NEW RISER
- 21 INSTALL CABLE(S) IN EXISTING CONDUIT STUB-OUTS
- 22 INSTALL NEW CONDUIT INTO EXISTING CABINET BASE (USE EXISTING CONDUIT STUB-OUTS WHEN AVAILABLE)
- 23 INSTALL NEW RISER INTO EXISTING CABINET BASE (USE EXISTING CONDUIT STUB-OUTS WHEN AVAILABLE)
- 24 INSTALL NEW CONDUIT INTO EXISTING POLE MOUNTED CABINET
- 25 INSTALL NEW RISER INTO EXISTING POLE MOUNTED CABINET
- 26 TERMINATE COMMUNICATIONS CABLE ON EXISTING TELEMETRY INTERFACE PANEL IN TRAFFIC SIGNAL CONTROLLER CABINET
- 27 INSTALL NEW TELEMETRY INTERFACE PANEL IN TRAFFIC SIGNAL CONTROLLER CABINET
- 28 INSTALL INTERCONNECT CENTER, PATCH PANEL, JUMPERS AND FUSION SPLICE CABLE IN CABINET
- 29 INSTALL UNDERGROUND SPLICE ENCLOSURE
- 30 INSTALL AERIAL SPLICE ENCLOSURE
- 31 INSTALL POLE MOUNTED SPLICE CABINET
- 32 INSTALL BASE MOUNTED SPLICE CABINET
- 33 REMOVE EXISTING SPLICE CABINET

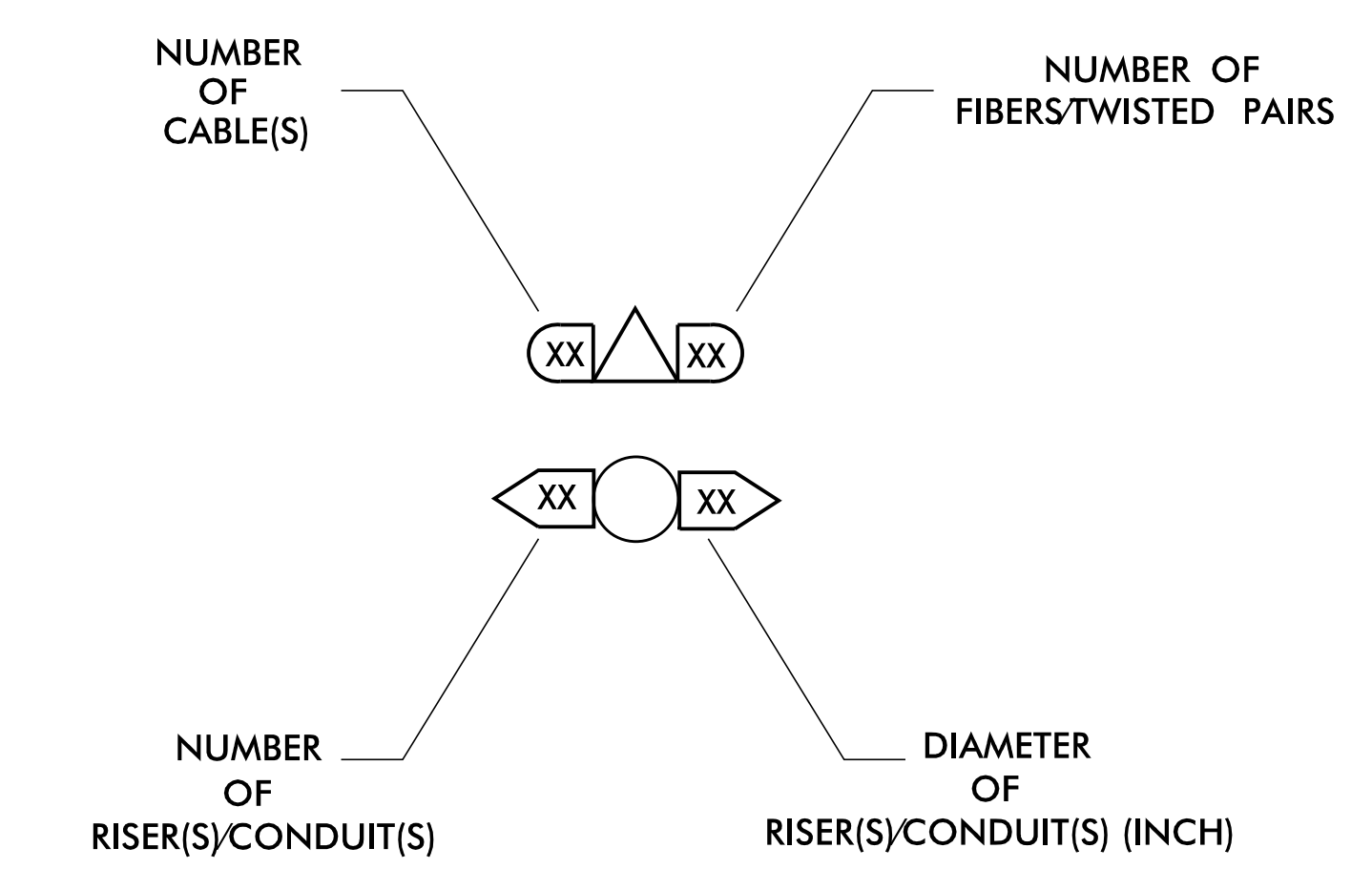
- 34 INSTALL CABINET FOUNDATION
- 35 REMOVE EXISTING CABINET FOUNDATION
- 36 INSTALL CCTV CAMERA ASSEMBLY
- 37 INSTALL CCTV CAMERA WOOD POLE
- 38 INSTALL CCTV CAMERA METAL POLE AND FOUNDATION
- 39 INSTALL JUNCTION BOX
- 40 INSTALL OVERSIZED JUNCTION BOX
- 41 REMOVE EXISTING JUNCTION BOX
- 42 INSTALL WOOD POLE
- 43 INSTALL 6"X6" WOOD PEDESTAL
- 44 INSTALL AERIAL GUY ASSEMBLY
- 45 INSTALL STANDARD GUY ASSEMBLY
- 46 INSTALL SIDEWALK GUY ASSEMBLY
- 47 INSTALL MESSENGER CABLE
- 48 INSTALL DIRECTIONAL (YAGI) ANTENNA FOR WIRELESS SYSTEM
- 49 INSTALL OMNIDIRECTIONAL ANTENNA FOR WIRELESS SYSTEM
- 50 INSTALL WIRELESS RADIO TRANSCEIVER
- 51 INSTALL CABLE STORAGE RACKS (SNOW SHOES) AND STORE 100 FEET OF CABLE
- 52 INSTALL DELINEATOR MARKER
- 53 STORE 20 FEET OF COMMUNICATIONS CABLE
- 54 LASH CABLE(S) TO EXISTING SIGNAL/COMMUNICATIONS CABLE
- 55 LASH CABLE(S) TO EXISTING MESSENGER CABLE
- 56 LASH CABLE(S) TO NEW MESSENGER CABLE
- 57 MODIFY EXISTING ELECTRICAL SERVICE
- 58 INSTALL NEW ELECTRICAL SERVICE
- 59 INSTALL NEW POLE MOUNTED EQUIPMENT CABINET
- 60 INSTALL NEW EQUIPMENT CABINET DISCONNECT
- 61 INSTALL DMS ASSEMBLY
- 62 INSTALL DMS PEDESTAL AND FOUNDATION
- 63 INSTALL SOLAR POWER ASSEMBLY
- 64 INSTALL FIELD ETHERNET SWITCH
- 65 INSTALL CCTV CAMERA VISOR

LEGEND

- FO ——— FO — NEW FIBER OPTIC COMMUNICATIONS CABLE
- TWIST PR ——— TWIST PR — NEW TWISTED PAIR COMMUNICATIONS CABLE
- EX1 ——— EX1 — EXISTING COMMUNICATIONS CABLE
- REM ——— REM — EXISTING COMMUNICATIONS CABLE TO BE REMOVED
- NEW AERIAL GUY ASSEMBLY
- NEW CONDUIT
- EXISTING CONDUIT
- DD ——— DD — NEW DIRECTIONAL DRILLED CONDUIT
- B&J ——— B&J — NEW BORED AND JACKED CONDUIT
- NEW JUNCTION BOX
- EXISTING JUNCTION BOX
- NEW WOOD POLE
- EXISTING WOOD POLE
- ⊙ S AERIAL SPLICE ENCLOSURE
- ⊙ NEW METAL POLE
- ⊙ EXISTING METAL POLE
- ▶ NEW CCTV ASSEMBLY
- NEW PEDESTAL-MOUNTED DMS ASSEMBLY
- ⊠ NEW BASE-MOUNTED EQUIPMENT CABINET
- ⊠ NEW POLE-MOUNTED EQUIPMENT CABINET
- ▽ NEW ELECTRICAL SERVICE
- ▼ EXISTING ELECTRICAL SERVICE
- ⊙ NEW WIRELESS RADIO ANTENNA
- ⊙ XX-XXXX ITS DEVICE INVENTORY NUMBER

CONSTRUCTION NOTE SYMBOLOGY KEY

- ⊙ XX INDICATES NUMBER OF CABLES, LOOPS, ETC.
- ⊙ XX INDICATES NUMBER OF FIBERS PER CABLE, TWISTED PAIRS PER CABLE, ETC.
- ⊙ XX INDICATES NUMBER OF RISER(S)/CONDUIT(S)
- ⊙ XX INDICATES DIAMETER OF RISER(S)/CONDUIT(S) (INCH)



<p>Planned Prepared For: <small>Transportation Mobility and Safety Division</small> STATE OF NORTH CAROLINA <small>Department of Transportation</small> <small>5000 S. Salisbury Street</small></p>	NC-295 FAYETTEVILLE OUTER LOOP ITS CONSTRUCTION NOTES & LEGEND		SEAL 								
	DIVISION 06 CUMBERLAND COUNTY PLAN DATE: JUNE 2016 REVIEWED BY: PREPARED BY: J. CROSS REVIEWED BY: K. SMITH										
NC License #F-0102 P.O. Box 33068 Raleigh, NC 27636 Tel: (919) 677-2000 Fax: (919) 677-2050	SCALE 	REVISIONS <table border="1"> <tr> <th>NO.</th> <th>DESCRIPTION</th> <th>INIT.</th> <th>DATE</th> </tr> <tr> <td> </td> <td> </td> <td> </td> <td> </td> </tr> </table>	NO.	DESCRIPTION	INIT.	DATE					DocuSigned by: 6/30/2016 SIGNATURE DATE CADD File name:
NO.	DESCRIPTION	INIT.	DATE								