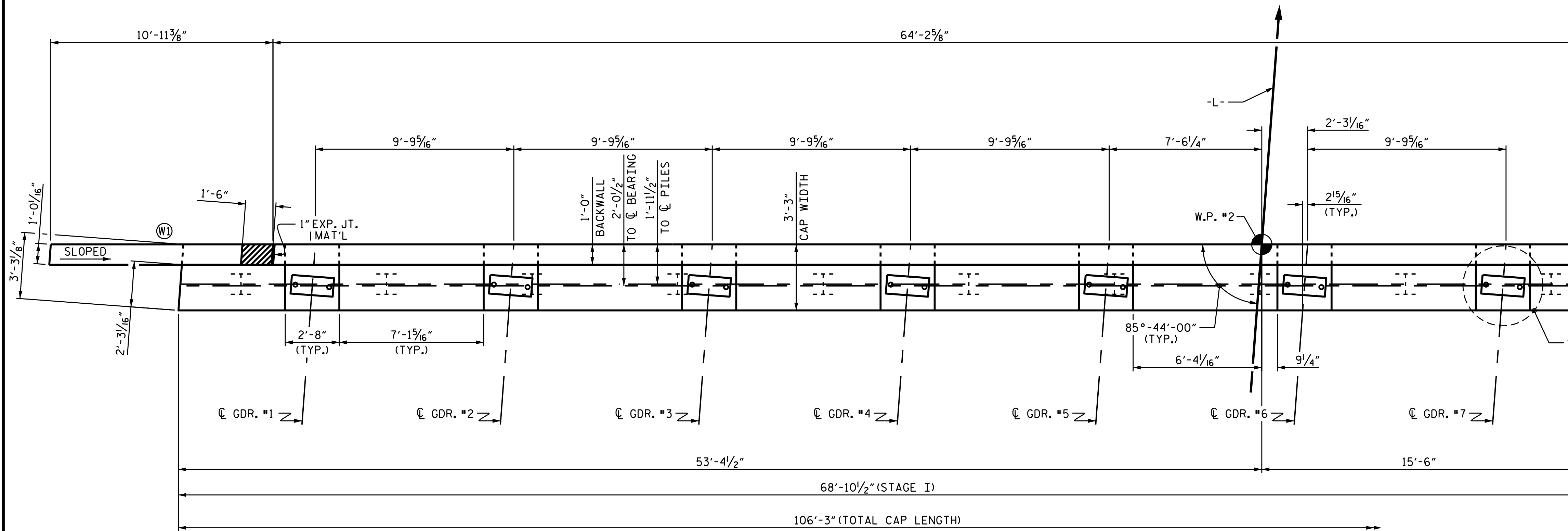
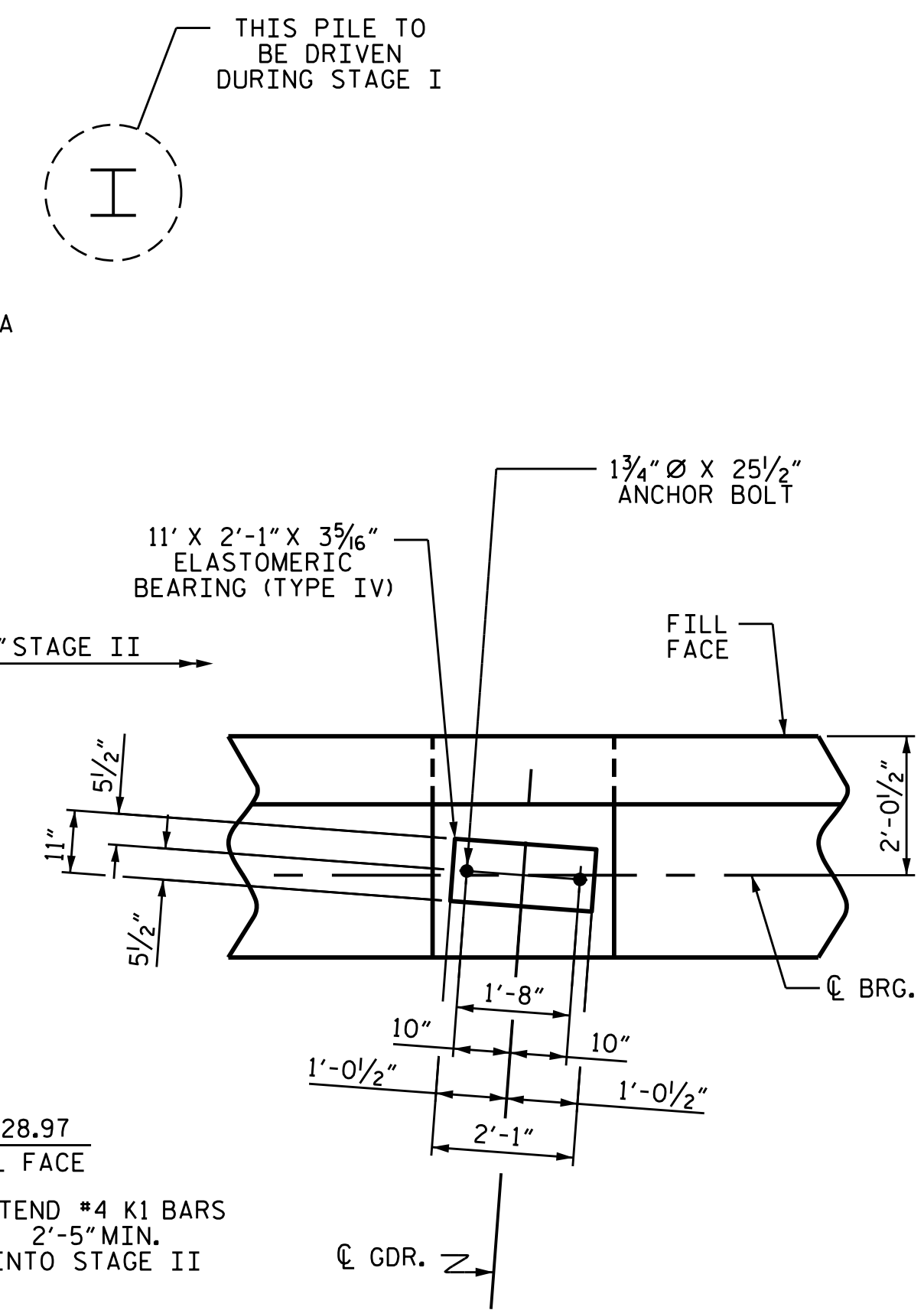


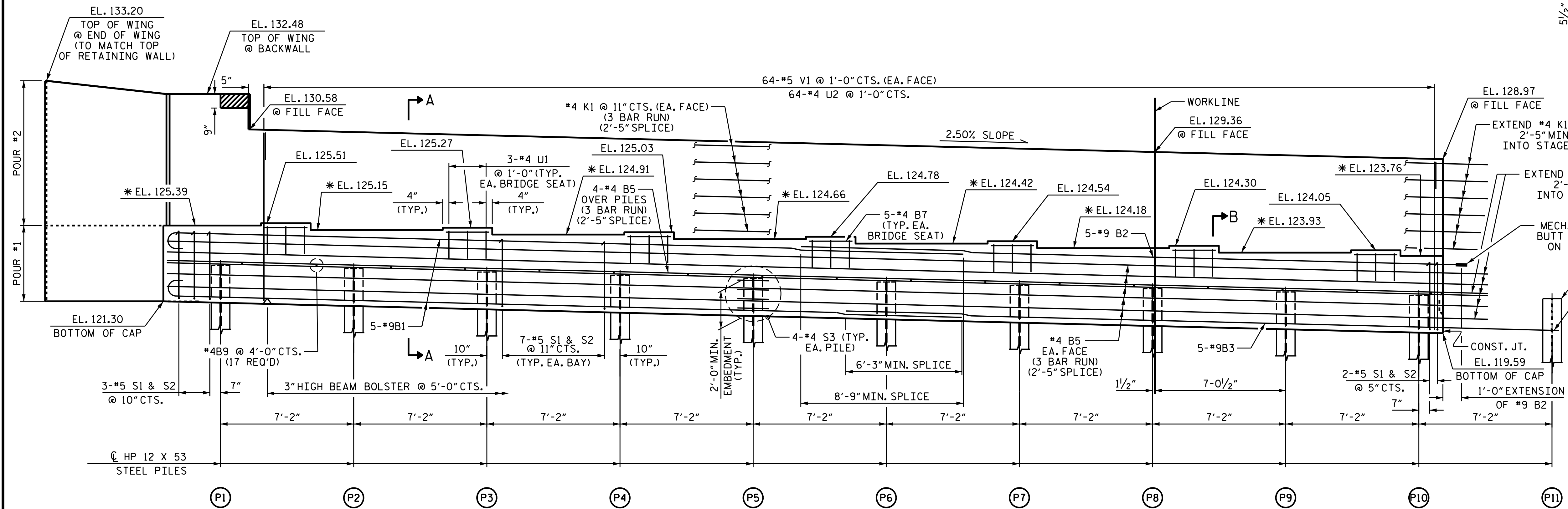
DOCUMENT NOT CONSIDERED
FINAL UNLESS ALL
SIGNATURES COMPLETED



PLAN



DETAIL A
(TYP. EA. GIRDER)

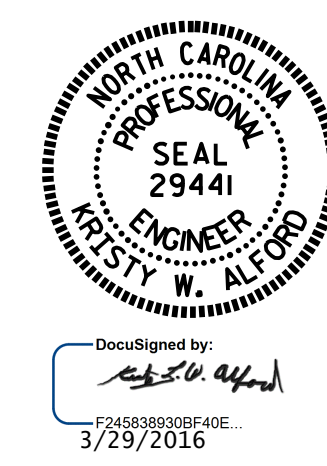


ELEVATION

* FOR LOCATION OF ELEVATION BETWEEN BRIDGE SEAT BUILD-UPS, SEE SHEET 4 OF 4.
FOR TOP OF PILE ELEVATIONS, SEE SHEET 2 OF 4.
FOR SHEAR KEY DETAIL, SEE SHEET 4 OF 4.

PROJECT NO. B-4490
CUMBERLAND COUNTY
STATION: 35+23.40 -L-
SHEET 1 OF 4

STATE OF NORTH CAROLINA DEPARTMENT OF TRANSPORTATION RALEIGH					
SUBSTRUCTURE END BENT 2 STAGE I					
REVISIONS					
NO.	BY:	DATE:	NO.	BY:	DATE:
1			3		
2			4		
SHEET NO. S-78					TOTAL SHEETS 84



DRAWN BY: D. SHACKELFORD DATE: 03/2015
CHECKED BY: J.P. ADAMS DATE: 07/2015
DESIGN ENGINEER OF RECORD: P.K. NEWTON DATE: 09/2015