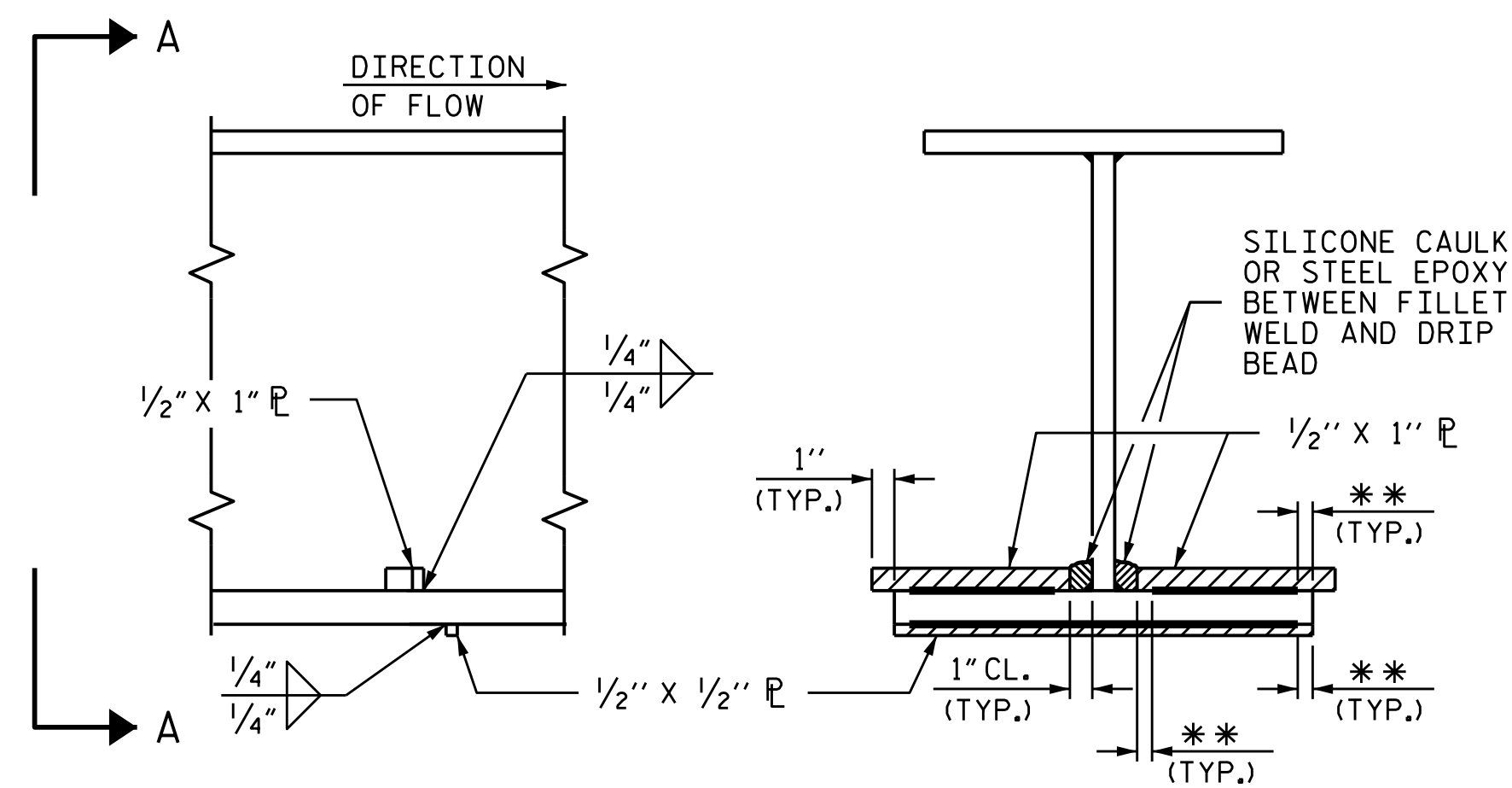


PART PLAN - BOTTOM FLANGE

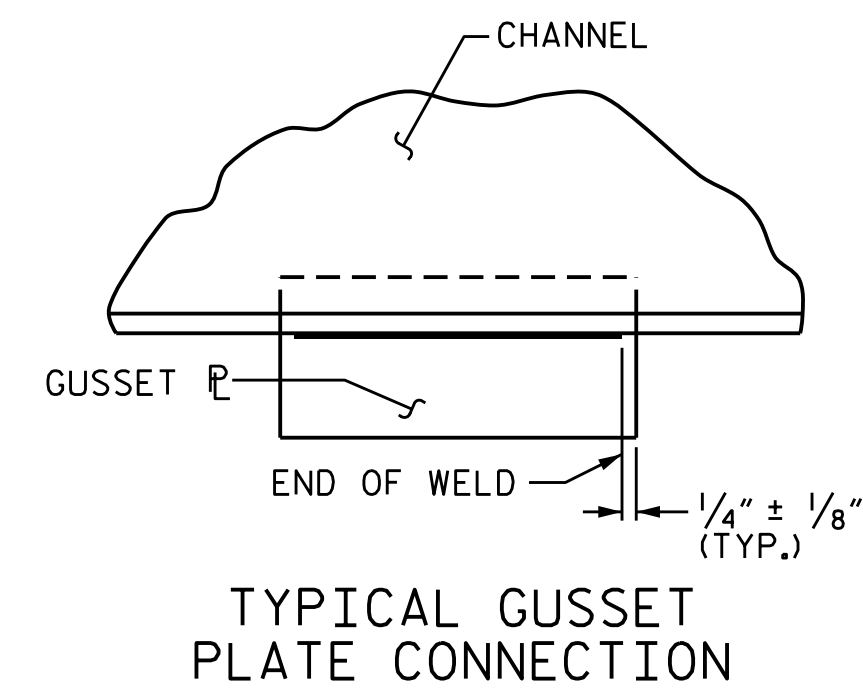


SECTION

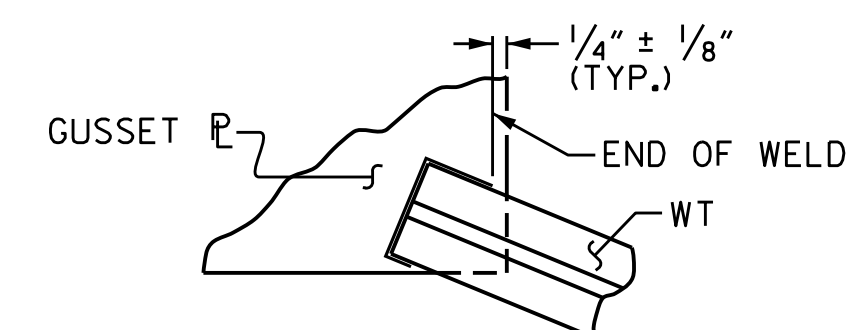
VIEW A-A

**SEE "WELD TERMINATION DETAILS"

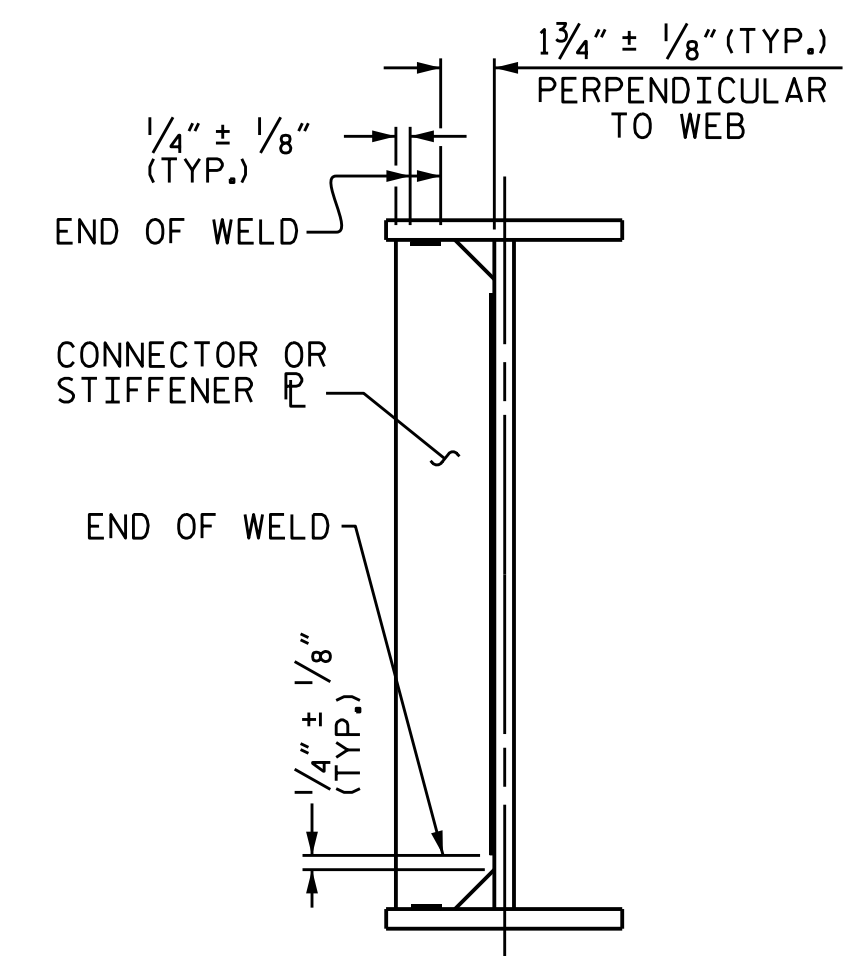
DRIP BEAD DETAILS



TYPICAL GUSSET PLATE CONNECTION



TYPICAL "TEE" TO GUSSET PLATE CONNECTION



TYPICAL STIFFENER OR CONNECTOR PLATE CONNECTIONS

WELD TERMINATION DETAILS

PROJECT NO. B-4490
CUMBERLAND COUNTY
 STATION: 35+23.40 -L-

SHEET 3 OF 3



DocuSigned by:
 F24583800BF40E
 3/29/2016

STATE OF NORTH CAROLINA
 DEPARTMENT OF TRANSPORTATION
 RALEIGH

SUPERSTRUCTURE
 STRUCTURAL STEEL
 DETAILS

DRAWN BY : I.L. AVERETTE DATE : 11-14
 CHECKED BY : J.P. ADAMS DATE : 07-15
 DESIGN ENGINEER OF RECORD: I.L. AVERETTE DATE : 09-15

DOCUMENT NOT CONSIDERED
 FINAL UNLESS ALL
 SIGNATURES COMPLETED

REVISIONS						SHEET NO.
NO.	BY:	DATE:	NO.	BY:	DATE:	S-55
1			3			TOTAL SHEETS
2			4			84