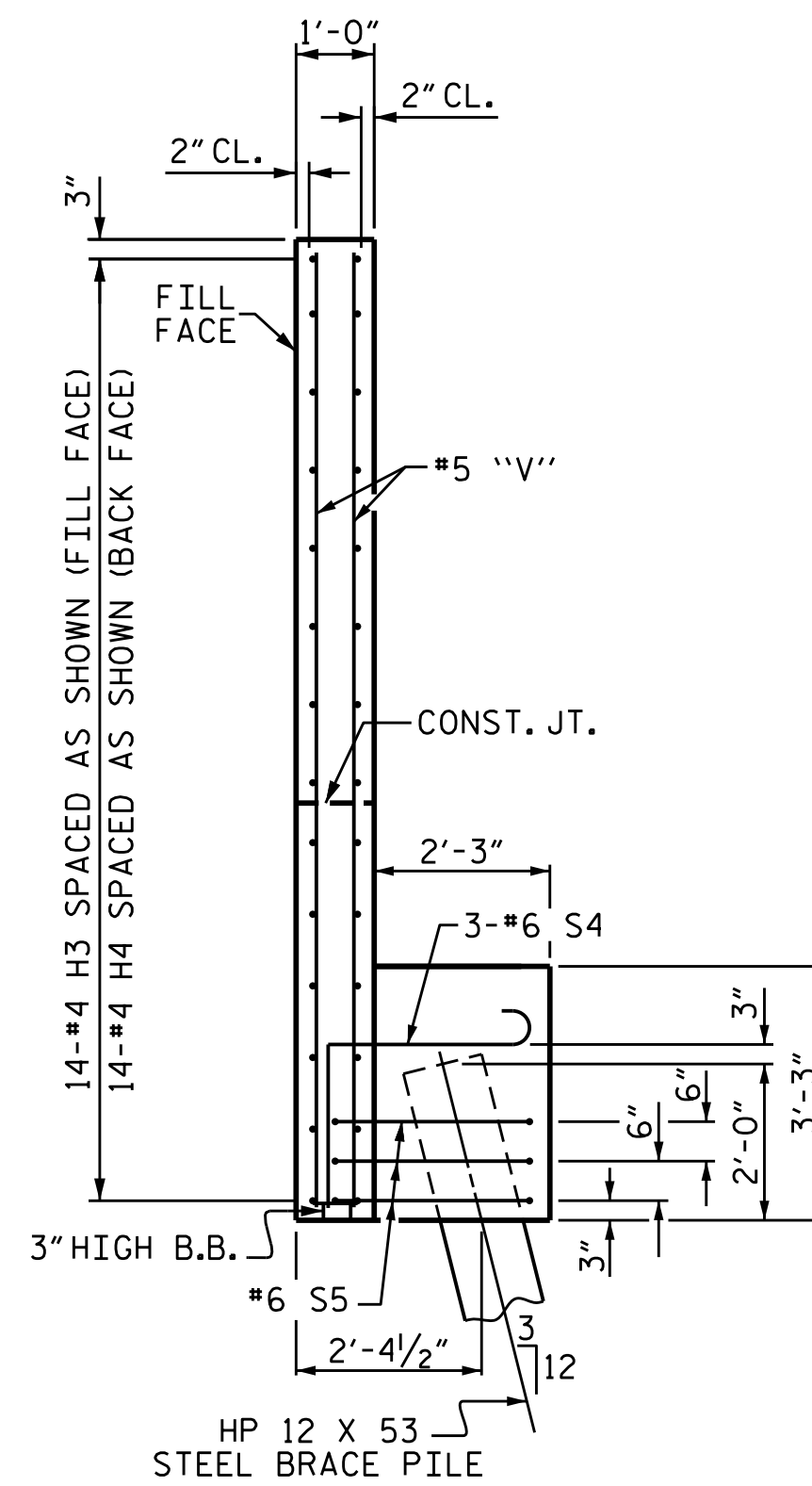
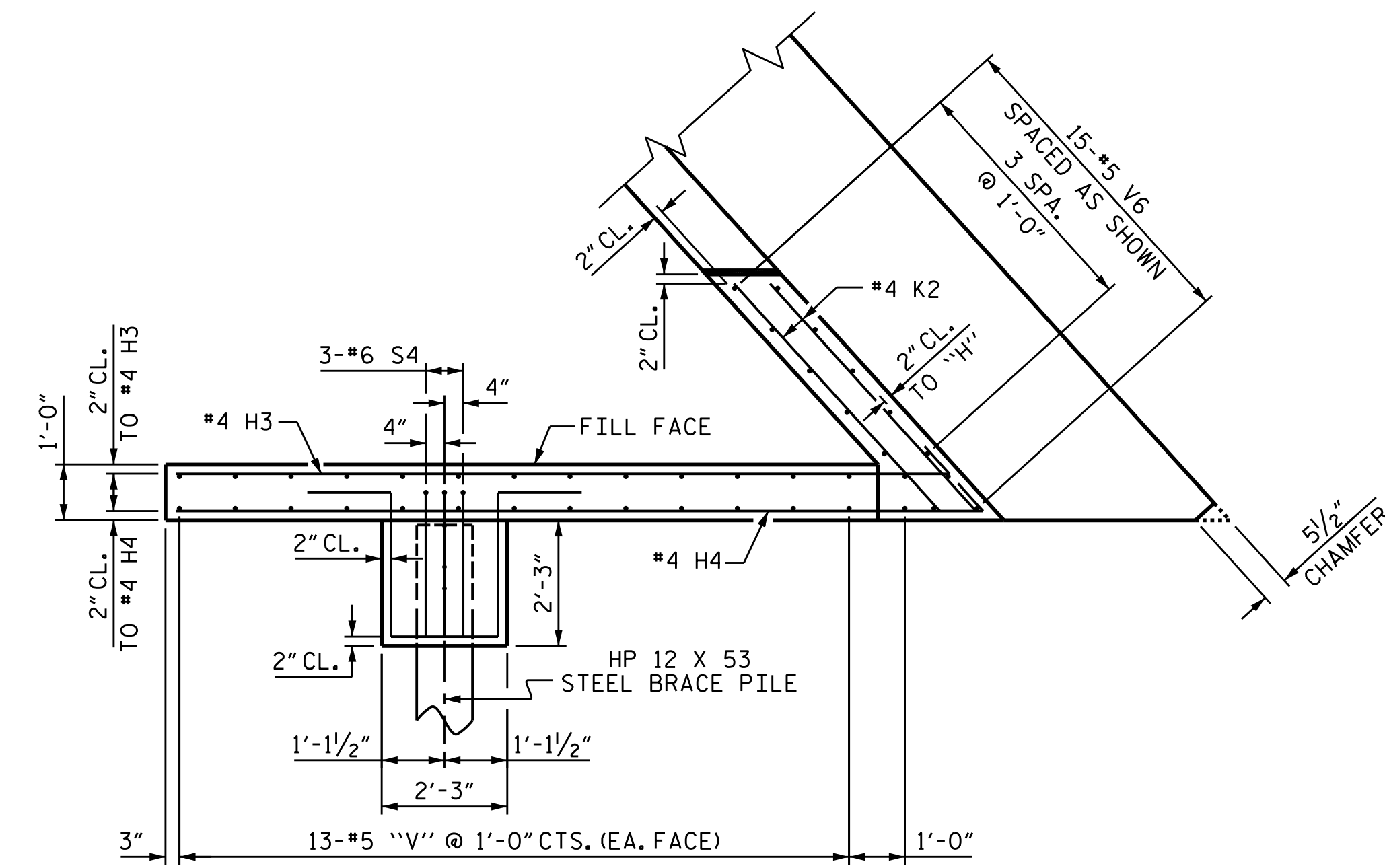


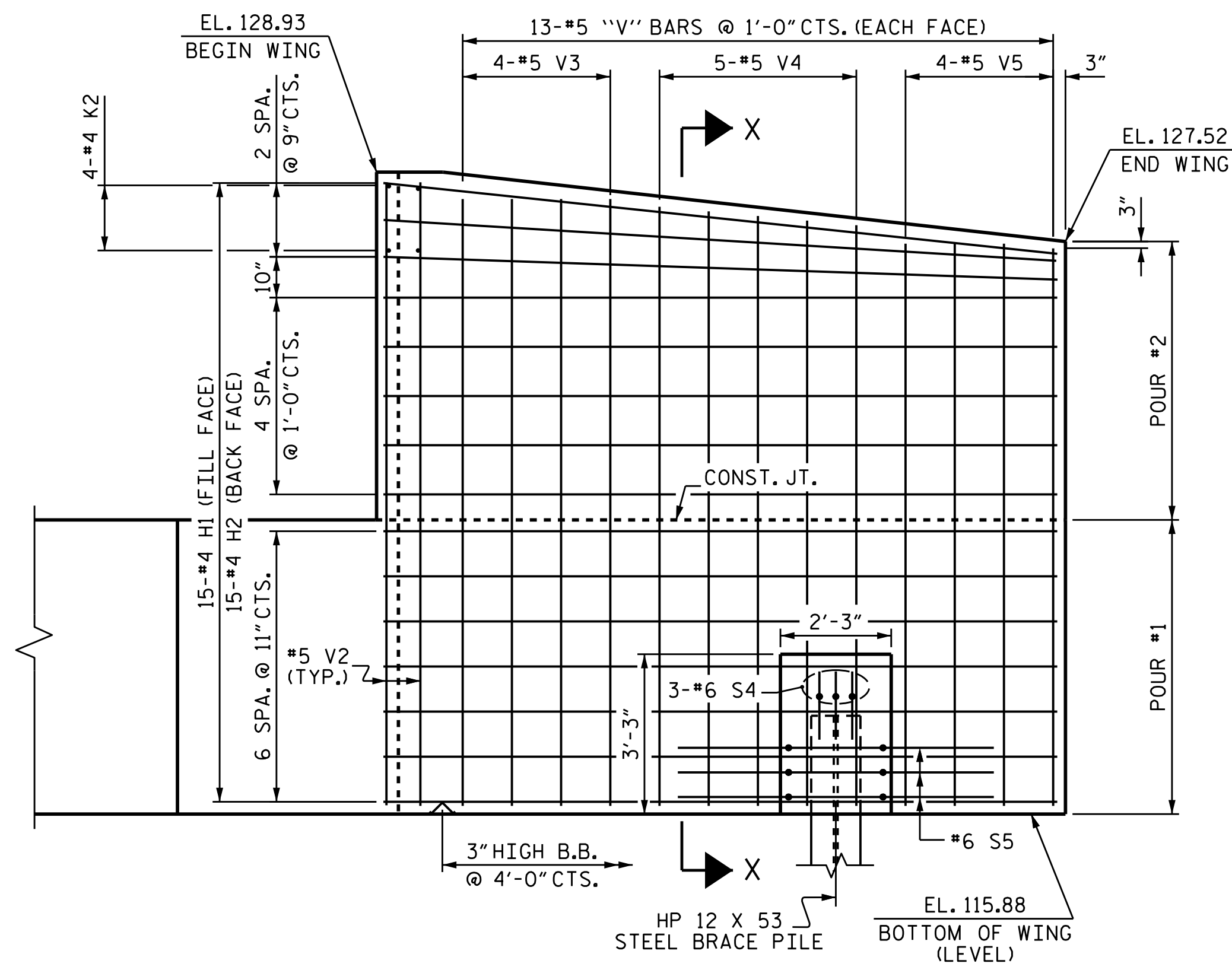
PLAN OF LEFT WING



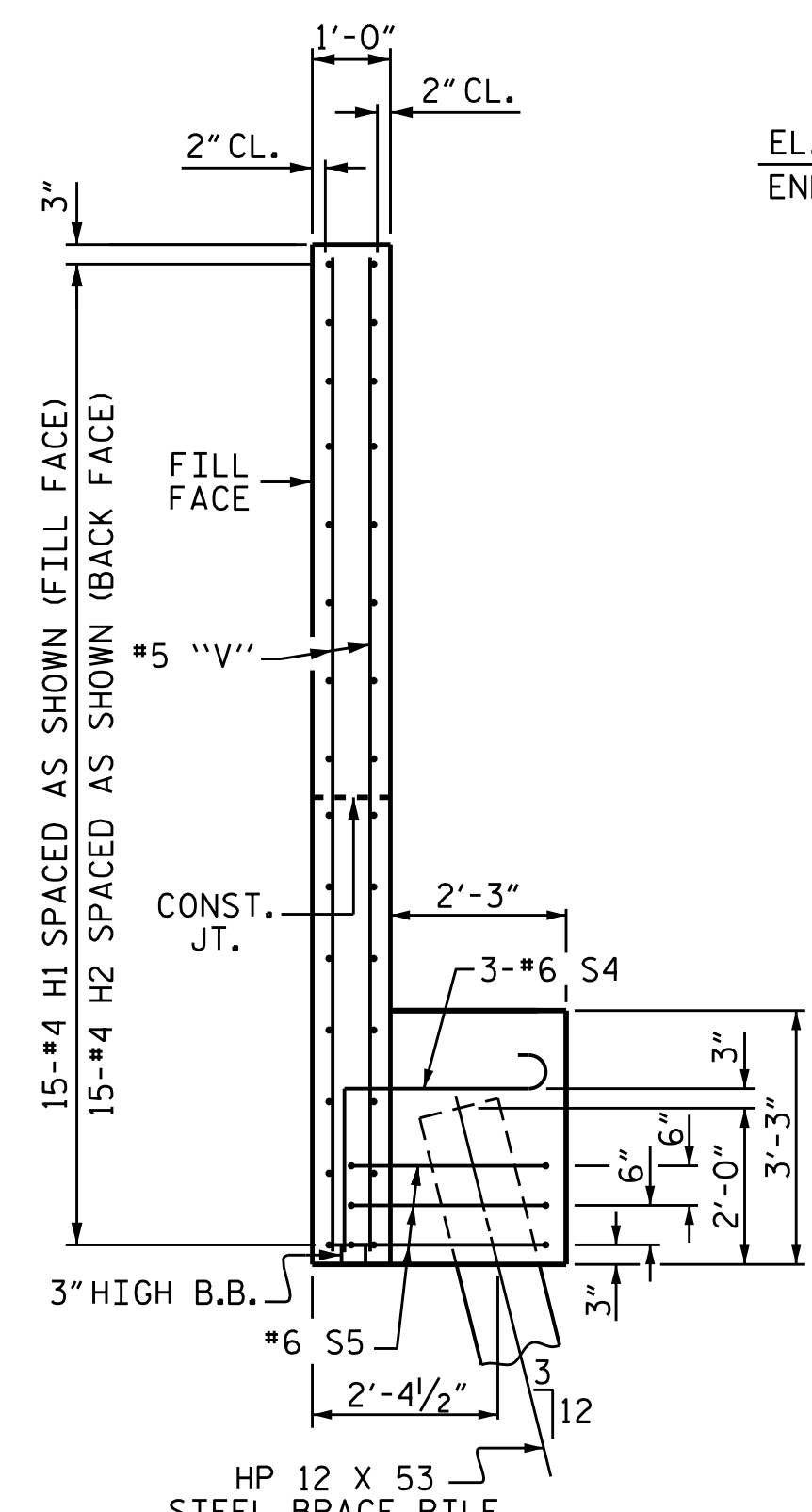
SECTION Y-Y



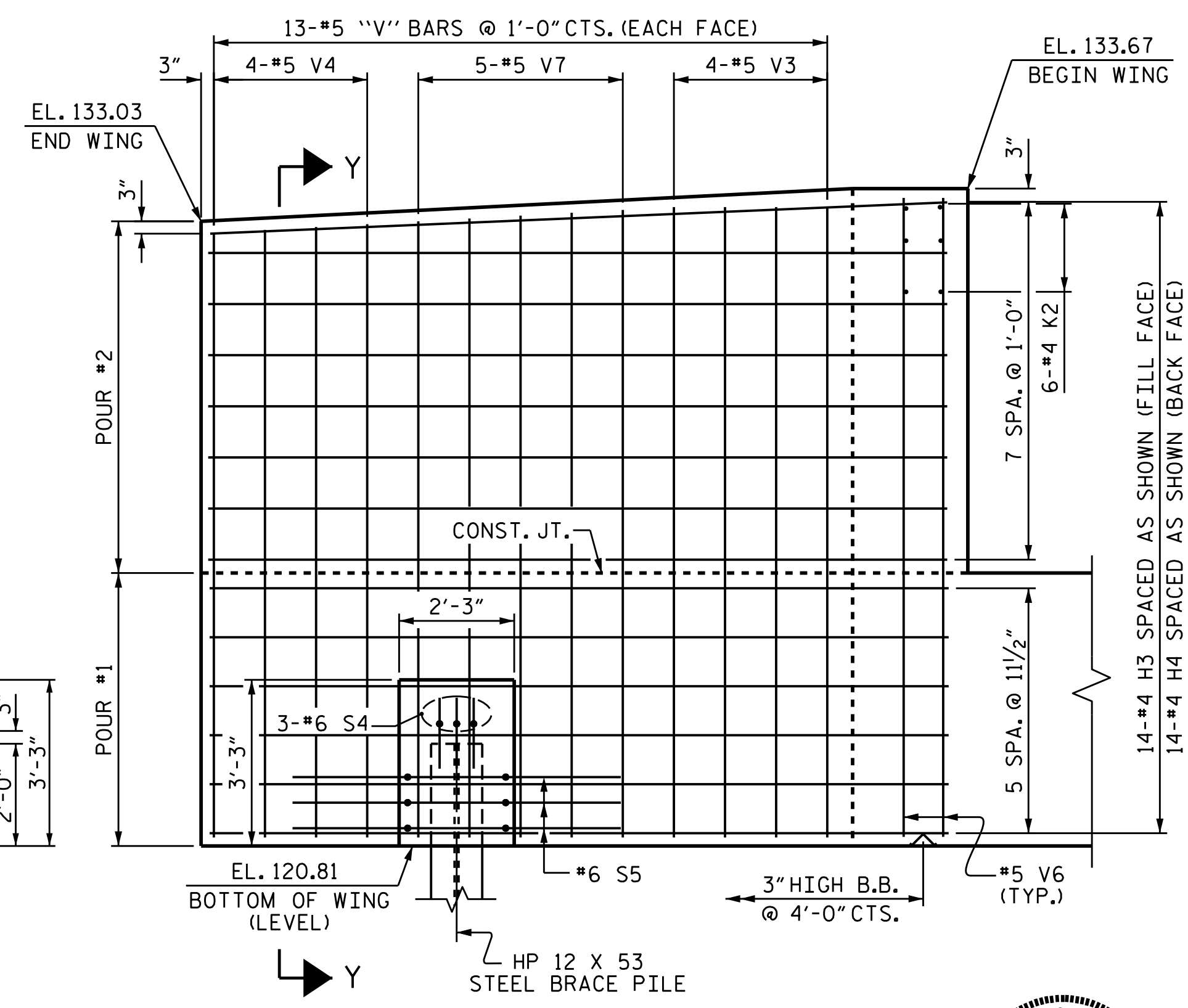
PLAN OF RIGHT WING



ELEVATION OF LEFT WING



SECTION X-X



ELEVATION OF RIGHT WING

DOCUMENT NOT CONSIDERED FINAL UNLESS ALL SIGNATURES COMPLETED

PROJECT NO. B-4490
 CUMBERLAND COUNTY
 STATION: 29+57.01 -L-

SHEET 3 OF 4

STATE OF NORTH CAROLINA
 DEPARTMENT OF TRANSPORTATION
 RALEIGH

SUBSTRUCTURE
 END BENT 1



DRAWN BY : A. SORSENGINH DATE : 3/2015
 CHECKED BY : J.P. ADAMS DATE : 8/2015
 DESIGN ENGINEER OF RECORD : A. SORSENGINH DATE : 9/2015

REVISIONS						SHEET NO.	
NO.	BY:	DATE:	NO.	BY:	DATE:	S-34	
1			3			TOTAL SHEETS 84	
2			4				