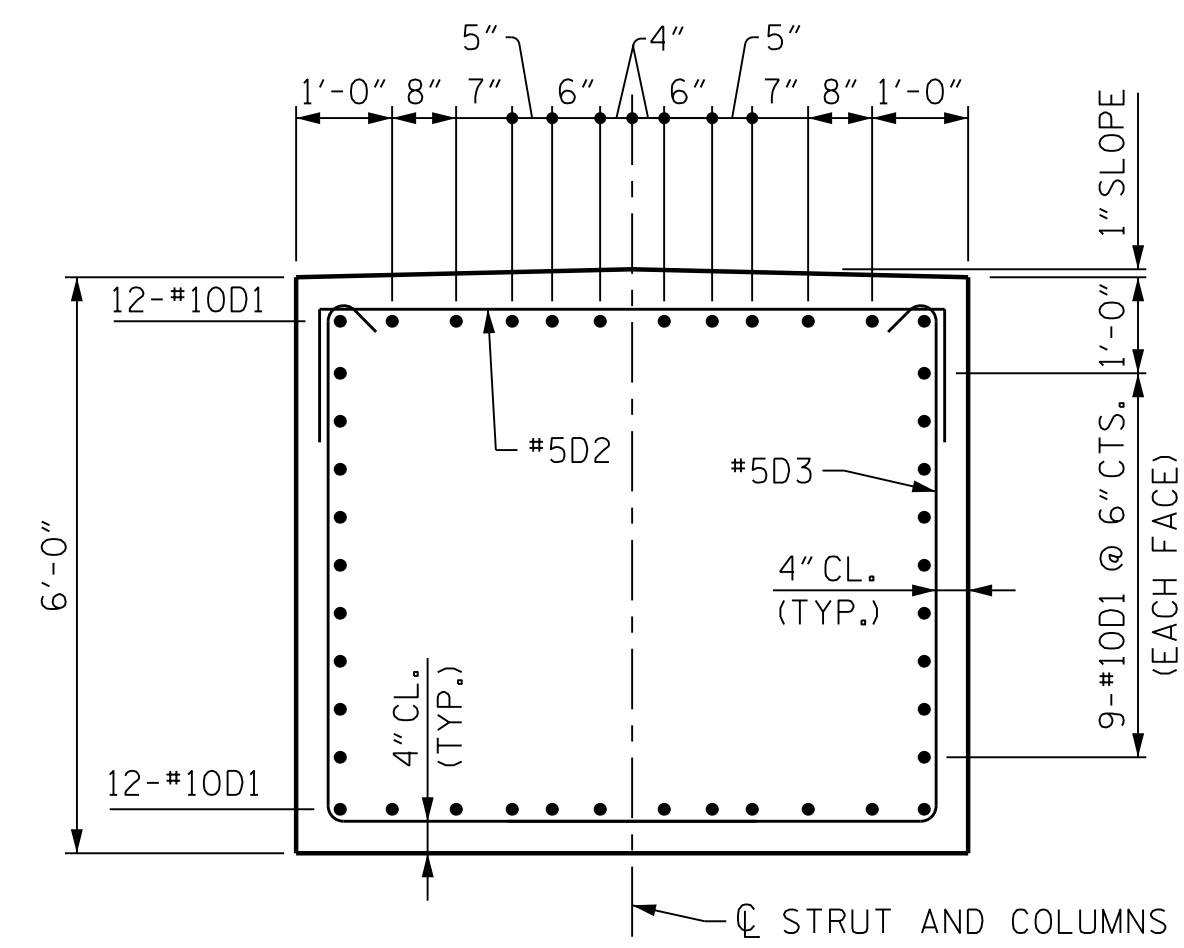


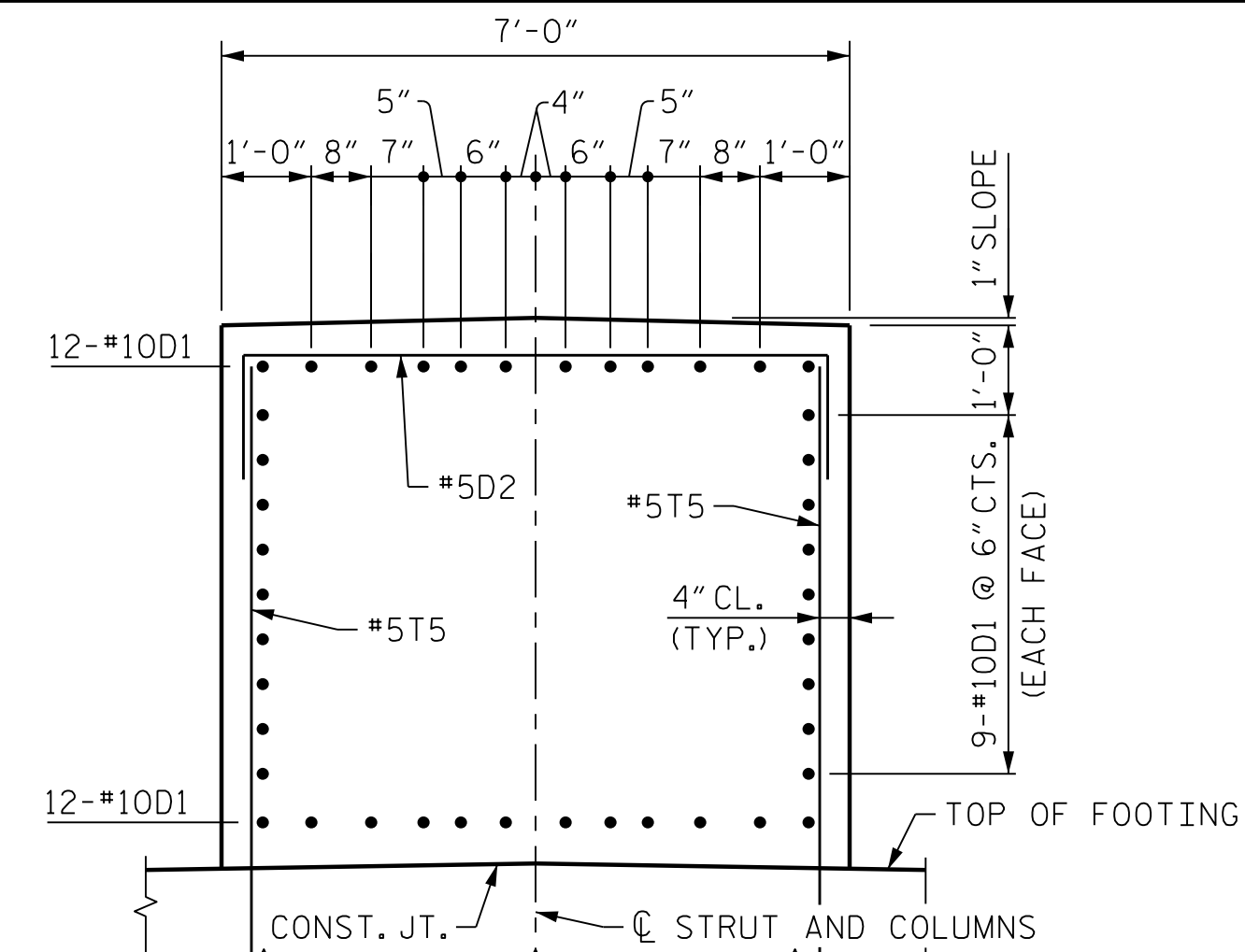
FOOTING PLAN

ALL DIMENSIONS AND DETAILS SHOWN FOR FOOTINGS ARE TYPICAL FOR EACH FOOTING UNLESS OTHERWISE NOTED.



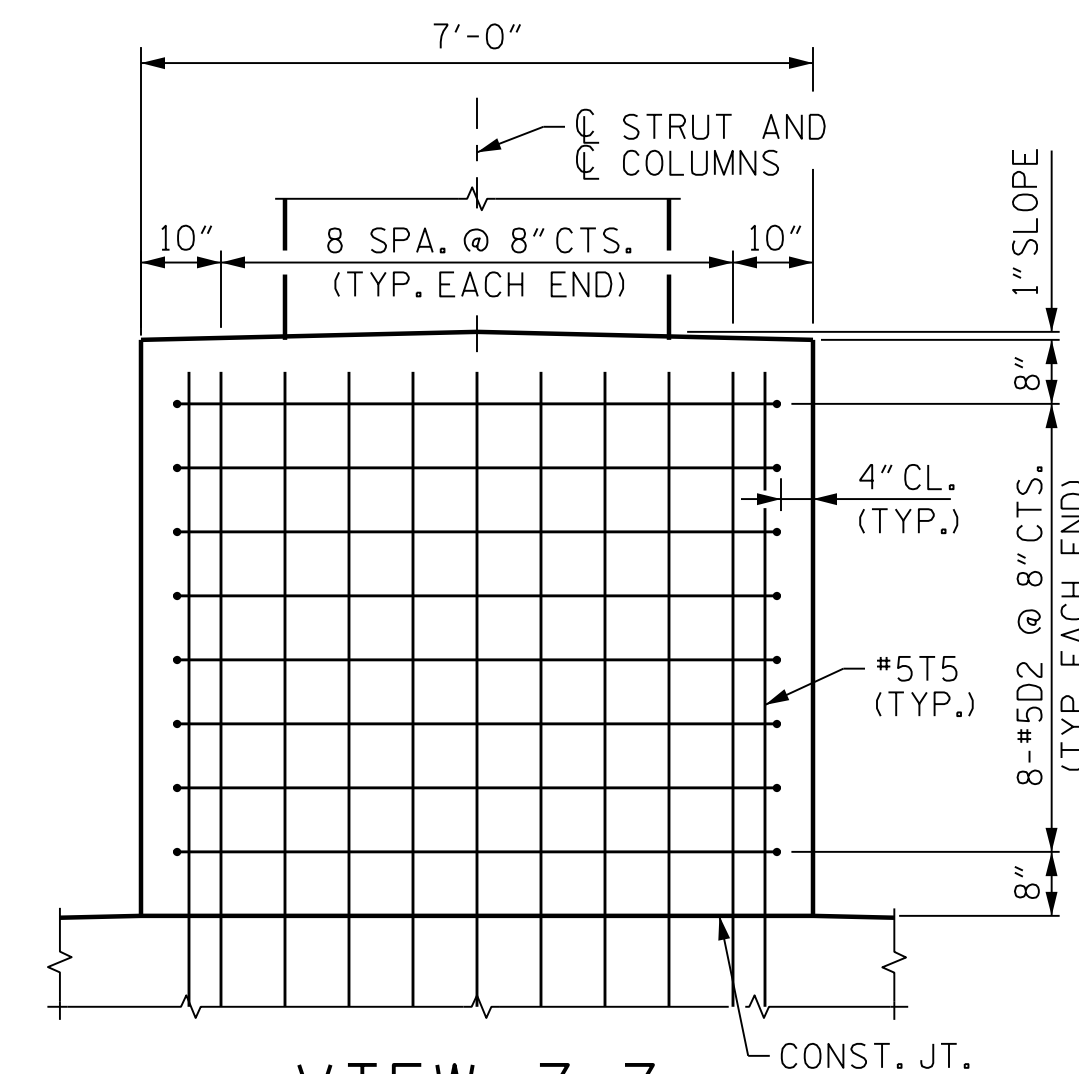
SECTION E-E

BARS MAY BE SHIFTED SLIGHTLY, AS NECESSARY, TO CLEAR COLUMN REINFORCING.

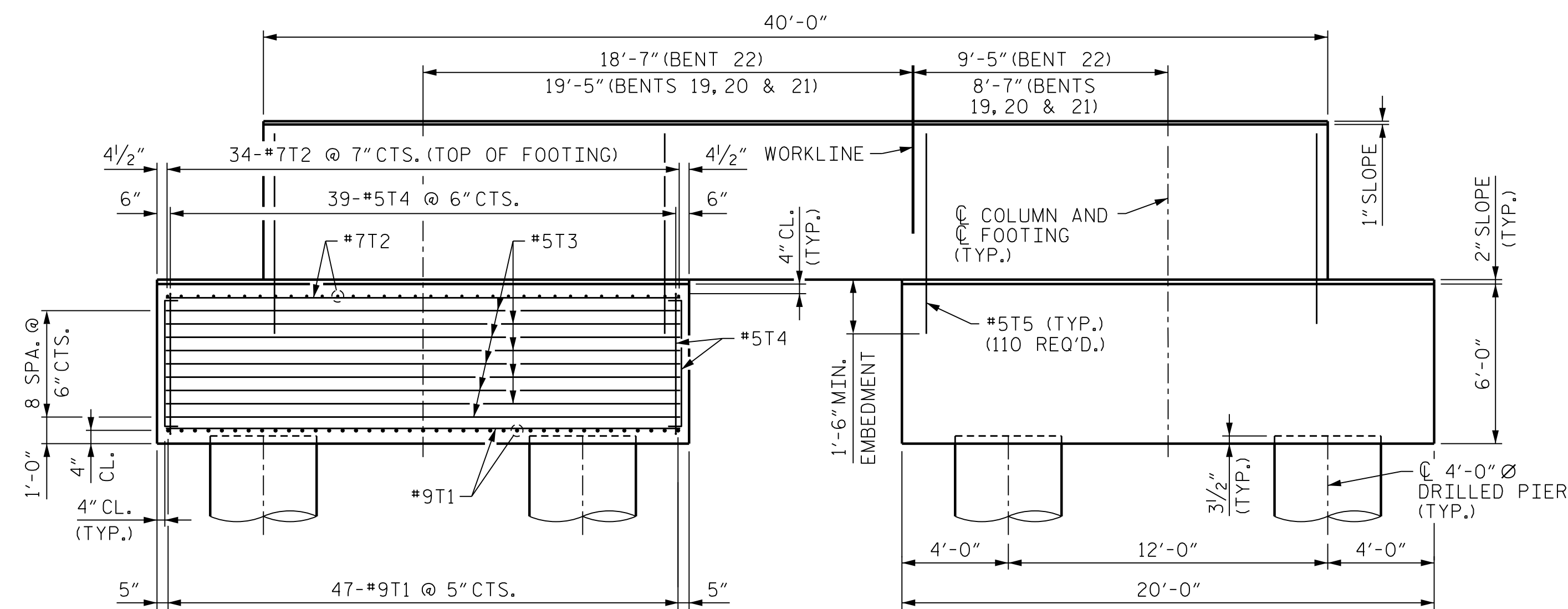


SECTION F-F

BARS MAY BE SHIFTED SLIGHTLY, AS NECESSARY, TO CLEAR COLUMN REINFORCING.

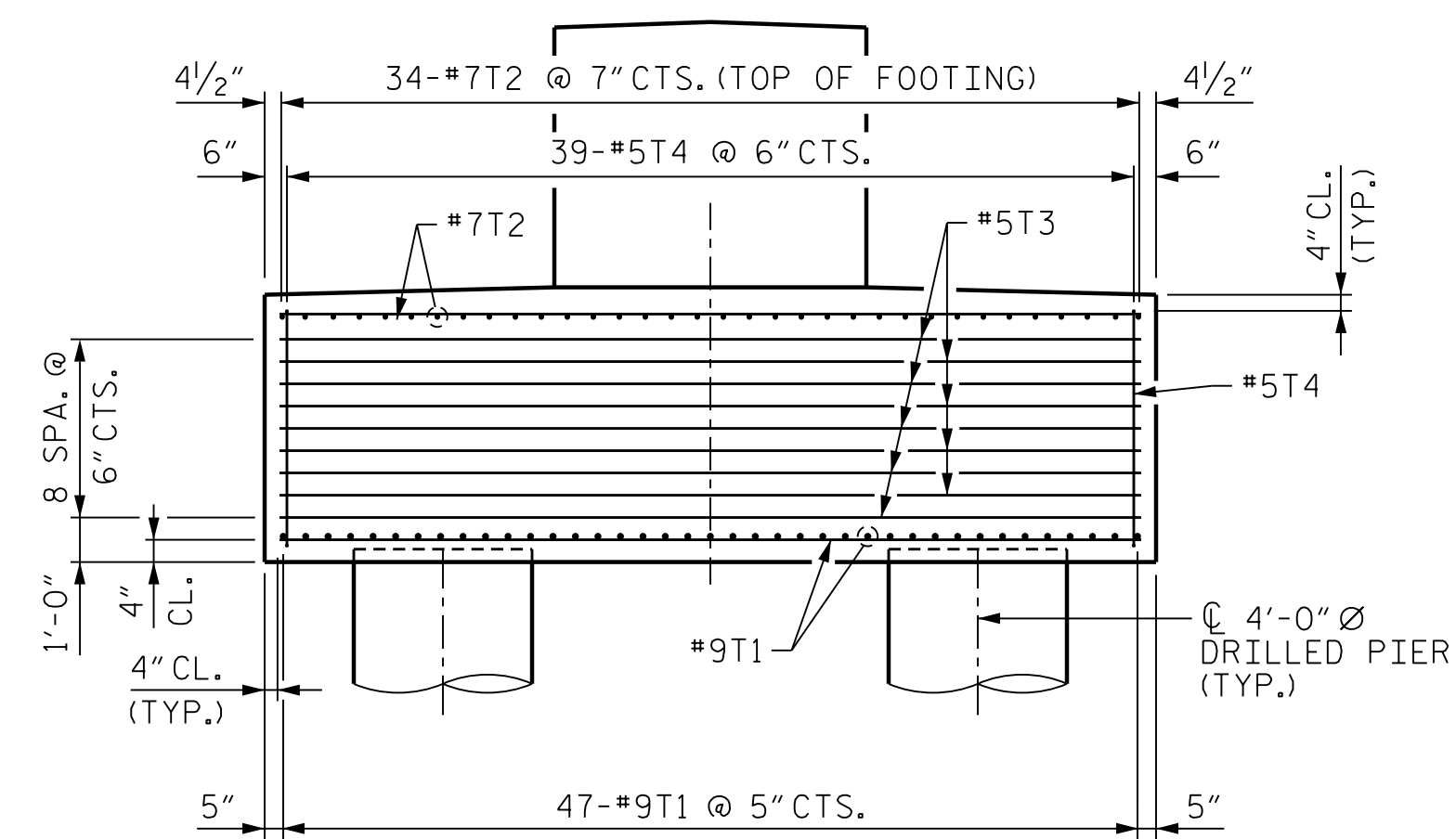


VIEW Z-Z



ELEVATION

ALL DIMENSIONS AND DETAILS SHOWN FOR FOOTINGS ARE TYPICAL FOR EACH FOOTING UNLESS OTHERWISE NOTED.



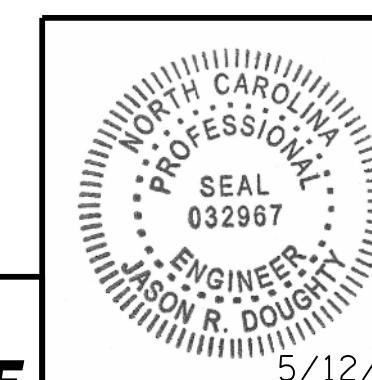
SIDE ELEVATION

NOTES:

FOR NOTES, SEE SHEET 1 OF 5.

PROJECT NO. B-4929
PENDER COUNTY
 STATION: 38+13.81 -L2-

SHEET 3 OF 5 STEEL ALTERNATE



PARSONS BRINCKERHOFF
 434 FAYETTEVILLE STREET
 SUITE 1500
 RALEIGH, NC 27601
 LICENSE NO. F-0165

DocuSigned by:
 Jason R. Doughty
 00F1C86448274F7

STATE OF NORTH CAROLINA
 DEPARTMENT OF TRANSPORTATION
 RALEIGH
 SUBSTRUCTURE
 BENTS 19 AND 22
 FOOTING DETAILS

REVISIONS					
NO.	BY:	DATE:	NO.	BY:	DATE:
1			3		
2			4		

SHEET NO.
S-276
 TOTAL SHEETS
 278

DESIGNED BY: J. BORUTA DATE: MAR 2016
 DRAWN BY: MAH/KEW DATE: MAR 2016
 CHECKED BY: J. DOUGHTY DATE: APR 2016
 DESIGN ENGINEER OF RECORD: J. DOUGHTY DATE: MAY 2016

DOCUMENT NOT CONSIDERED FINAL UNLESS ALL SIGNATURES COMPLETED

5/12/2016 401_129_B4929_SMJ_IB19_3s.dgn