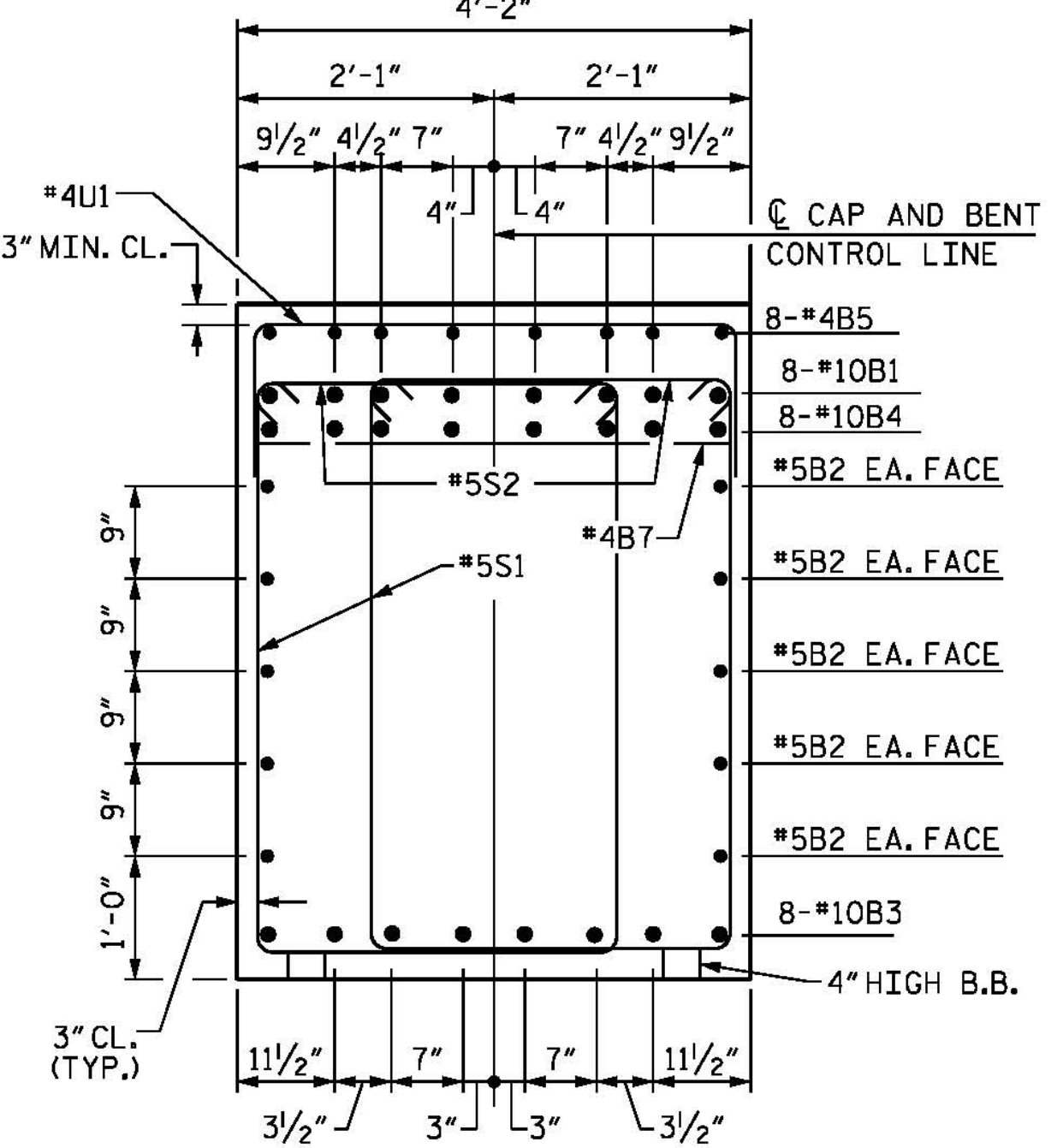
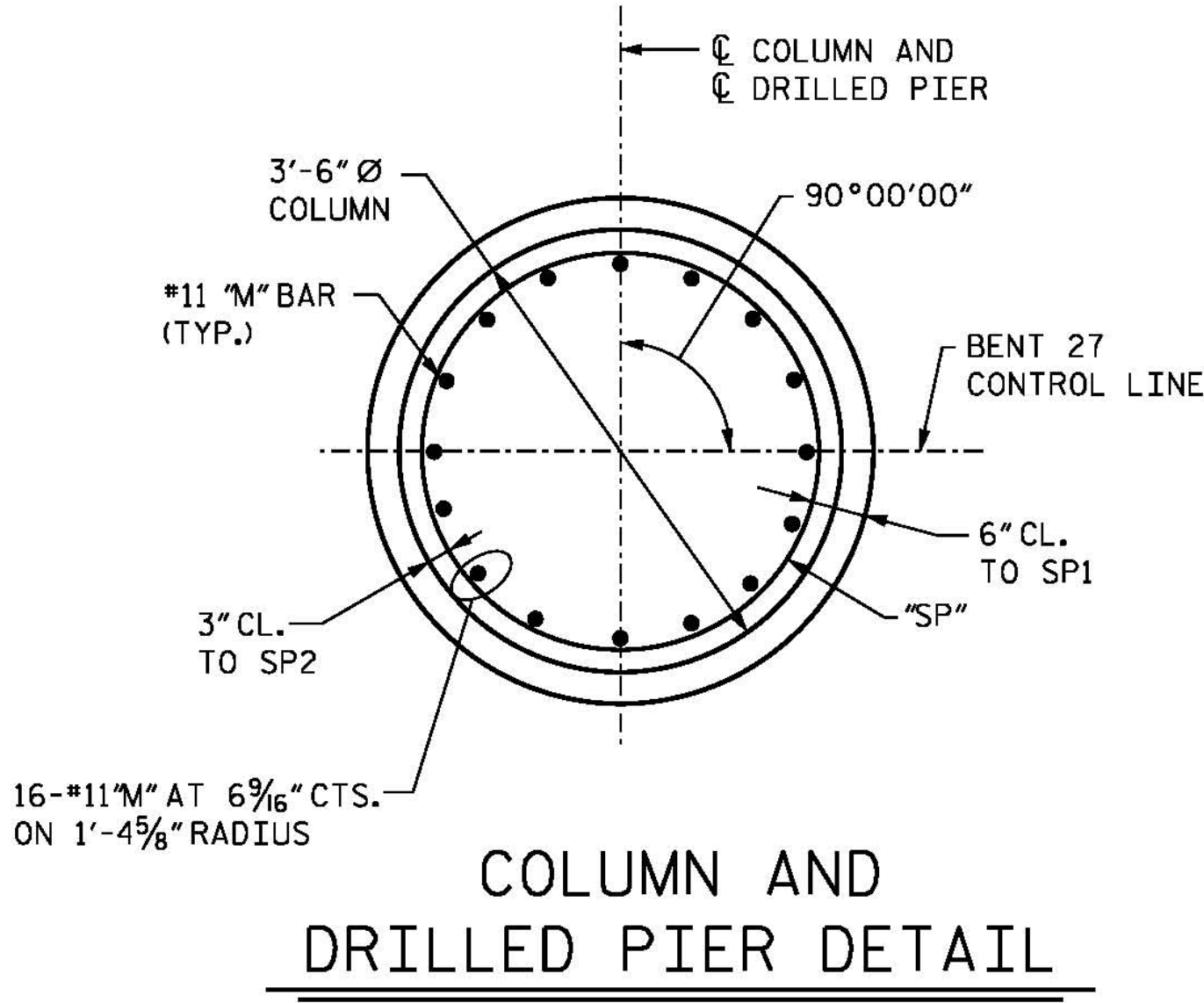


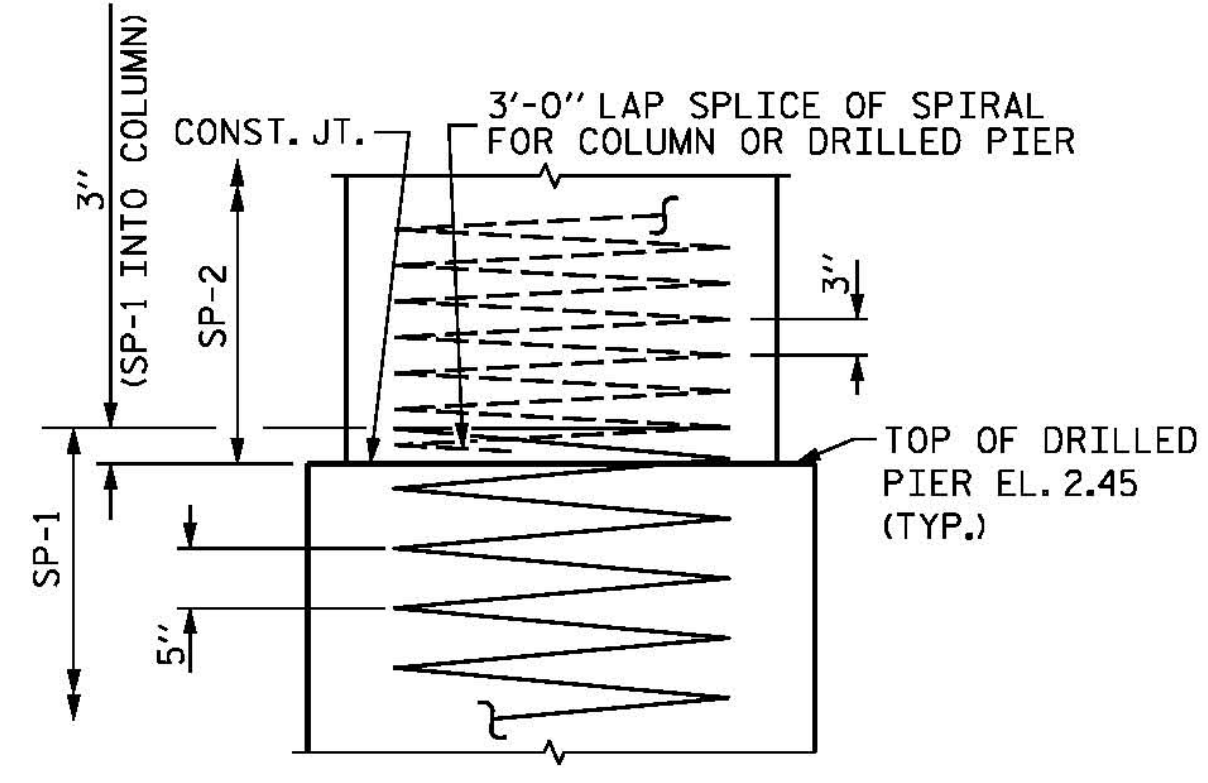
SECTION A-A



SECTION B-B

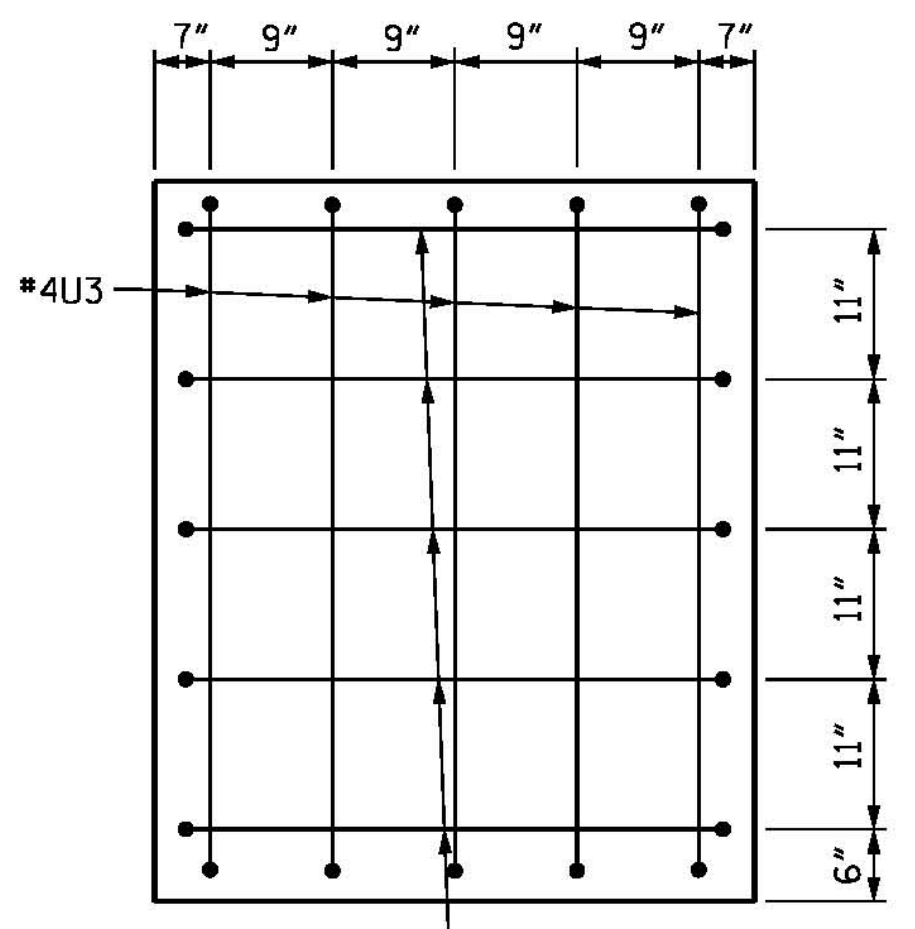


COLUMN AND DRILLED PIER DETAIL

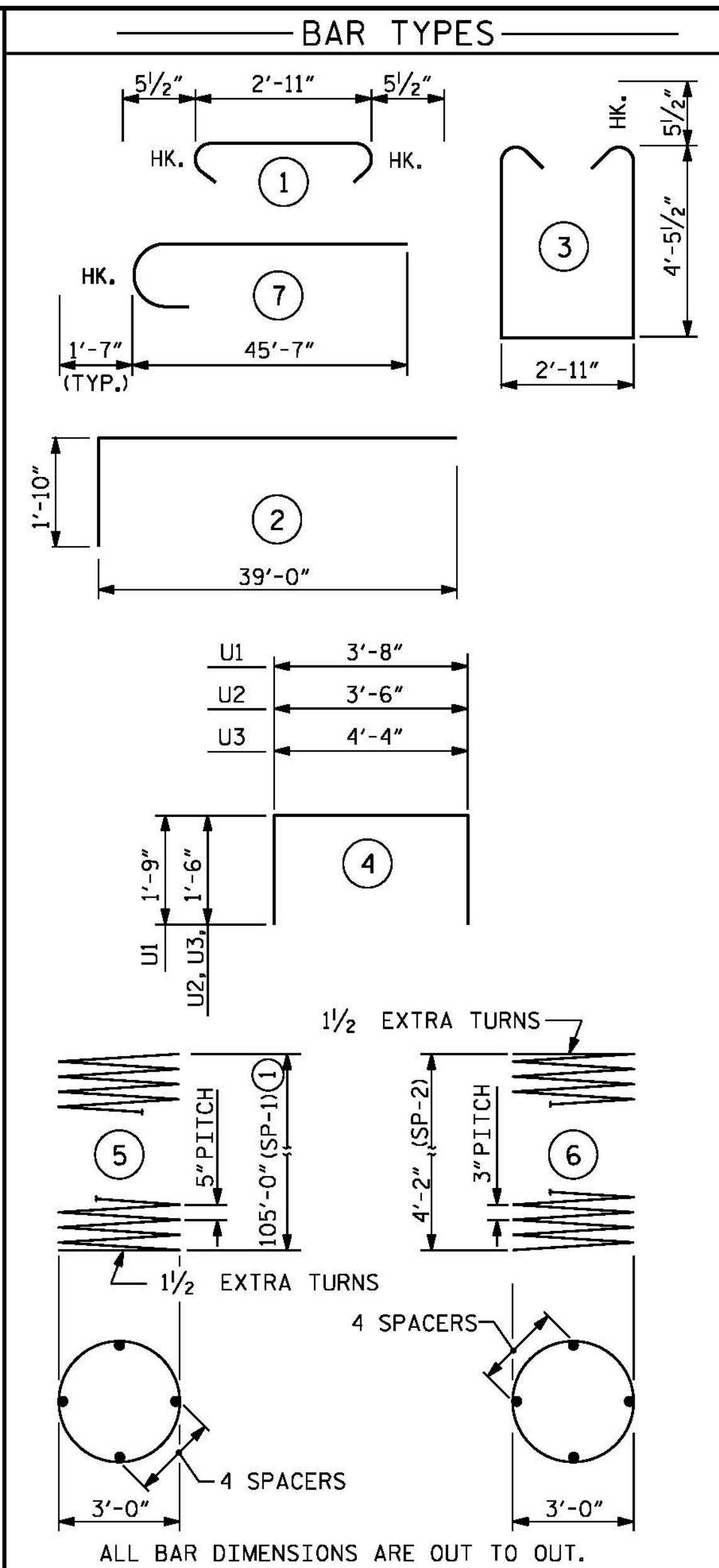


CONSTRUCTION JOINT DETAIL

M BARS NOT SHOWN FOR CLARITY



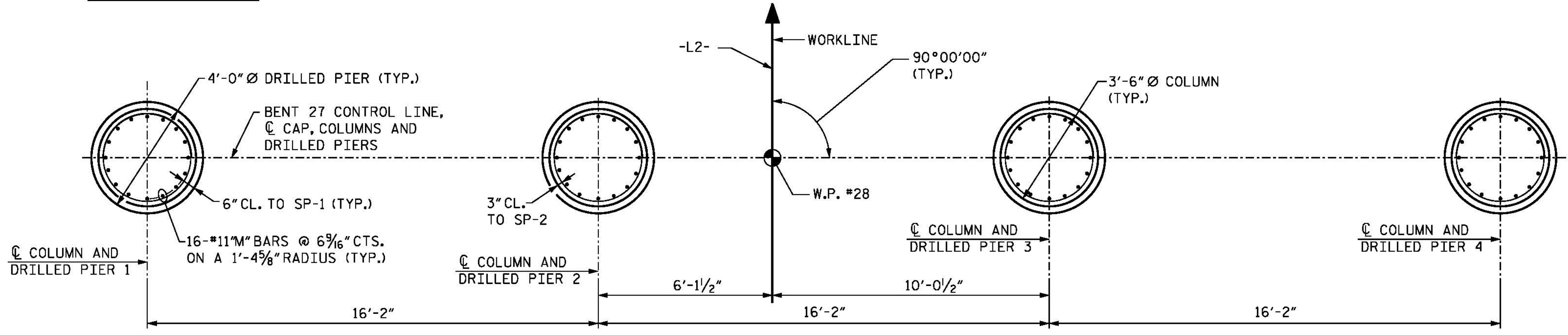
VIEW X-X



BAR TYPES

BILL OF MATERIAL						
BENT 27						
BAR	NUMBER	SIZE	TYPE	LENGTH	WEIGHT	
B1	16	#10	2	40'-10"	2811	
B2	20	#10	STR	33'-11"	708	
B3	16	#10	STR	38'-1"	2622	
B4	16	#10	STR	39'-0"	2685	
B5	16	#4	STR	23'-2"	248	
B6	16	#4	STR	3'-6"	37	
B7	16	#4	STR	3'-8"	39	
M1	64	#11	7	47'-2"	16,038	
M2	128	#11	STR	45'-7"	31,000	
S1	246	#5	3	12'-9"	3271	
S2	246	#5	1	3'-10"	984	
U1	65	#4	4	7'-2"	311	
U2	10	#4	4	6'-6"	43	
U3	10	#4	4	7'-4"	49	
EPOXY COATED REINFORCING STEEL					LBS.	60,846
SP1	4	*	5	2354'-9"	9824	
SP2	4	**	6	176'-8"	472	
EPOXY COATED SPIRAL COLUMN REINFORCING STEEL					LBS.	10296
CLASS "AA" CONCRETE BREAKDOWN						
POUR #2 - COLUMNS					5.6 C.Y.	
POUR #3 - CAP					52.9 C.Y.	
CLASS "AA" CONCRETE					58.5 C.Y.	
DRILLED PIER QUANTITIES						
POUR #1 - DRILLED PIER CONCRETE					196.3 C.Y.	
4'-0" Ø DRILLED PIERS					421.8 L.F.	
PERMANENT STEEL CASING FOR 4'-0" Ø DRILLED PIERS					69.8 L.F.	
SPT TESTING					4 EA.	
SID INSPECTIONS					1 EA.	
CSL TUBES					1712 L.F.	

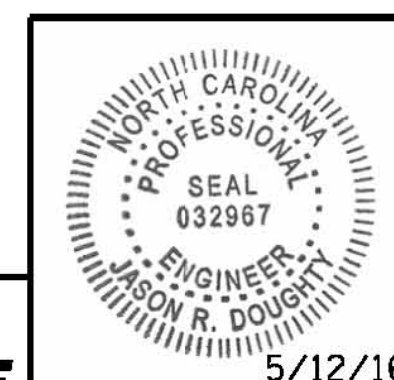
** THE SP-2 EPOXY COATED SPIRAL REINFORCING STEEL SHALL BE W20 OR D-20 COLD DRAWN WIRE OR #4 PLAIN OR DEFORMED BAR.
 * THE SP-1 EPOXY COATED SPIRAL REINFORCING STEEL SHALL BE W31 OR D-31 COLD DRAWN WIRE OR #5 PLAIN OR DEFORMED BAR,
 ① CONTRACTOR MAY PROVIDE 3'-0" MIN. SPLICE AT MID HEIGHT OF EPOXY COATED SPIRAL REINFORCING STEEL. NO ADDITIONAL PAYMENT WILL BE PROVIDED FOR SPLICES.



PLAN OF COLUMNS AND DRILLED PIERS

(REINFORCING STEEL ARE TYPICAL FOR EACH COLUMN AND DRILLED PIER)

PROJECT NO. B-4929
PENDER COUNTY
 STATION: 38+13.81 -L2-
 SHEET 2 OF 2



PARSONS BRINCKERHOFF
 434 FAYETTEVILLE STREET
 SUITE 1500
 RALEIGH, NC 27601
 LICENSE NO. F-0165

DocuSigned by:
 Jason R Doughty
 00F1C86448274F7...

STATE OF NORTH CAROLINA
 DEPARTMENT OF TRANSPORTATION
 RALEIGH
 SUBSTRUCTURE
 BENT 27
 SECTIONS AND DETAILS

REVISIONS						SHEET NO.
NO.	BY:	DATE:	NO.	BY:	DATE:	S-199
1			3			TOTAL SHEETS 278
2			4			

DOCUMENT NOT CONSIDERED FINAL UNLESS ALL SIGNATURES COMPLETED

5/11/2016 4:00:39 PM B4929_SMU_IB272.dgn

DESIGNED BY: MJW/AMD DATE: JAN. 2016
 DRAWN BY: B. CALDWELL DATE: FEB. 2016
 CHECKED BY: J. SHERMAN DATE: MAR. 2016
 DESIGN ENGINEER OF RECORD: J. DOUGHTY DATE: MAY 2016