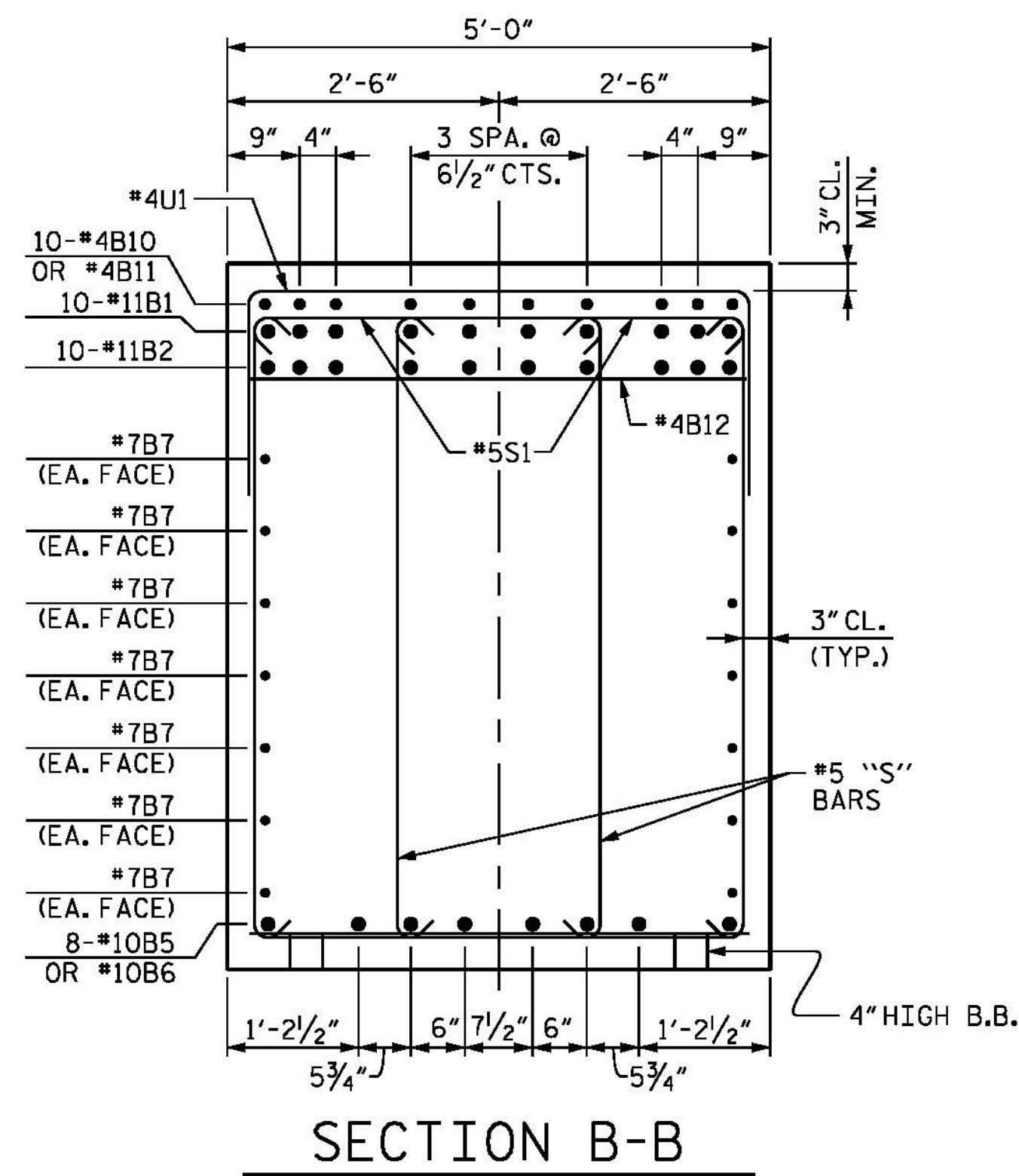
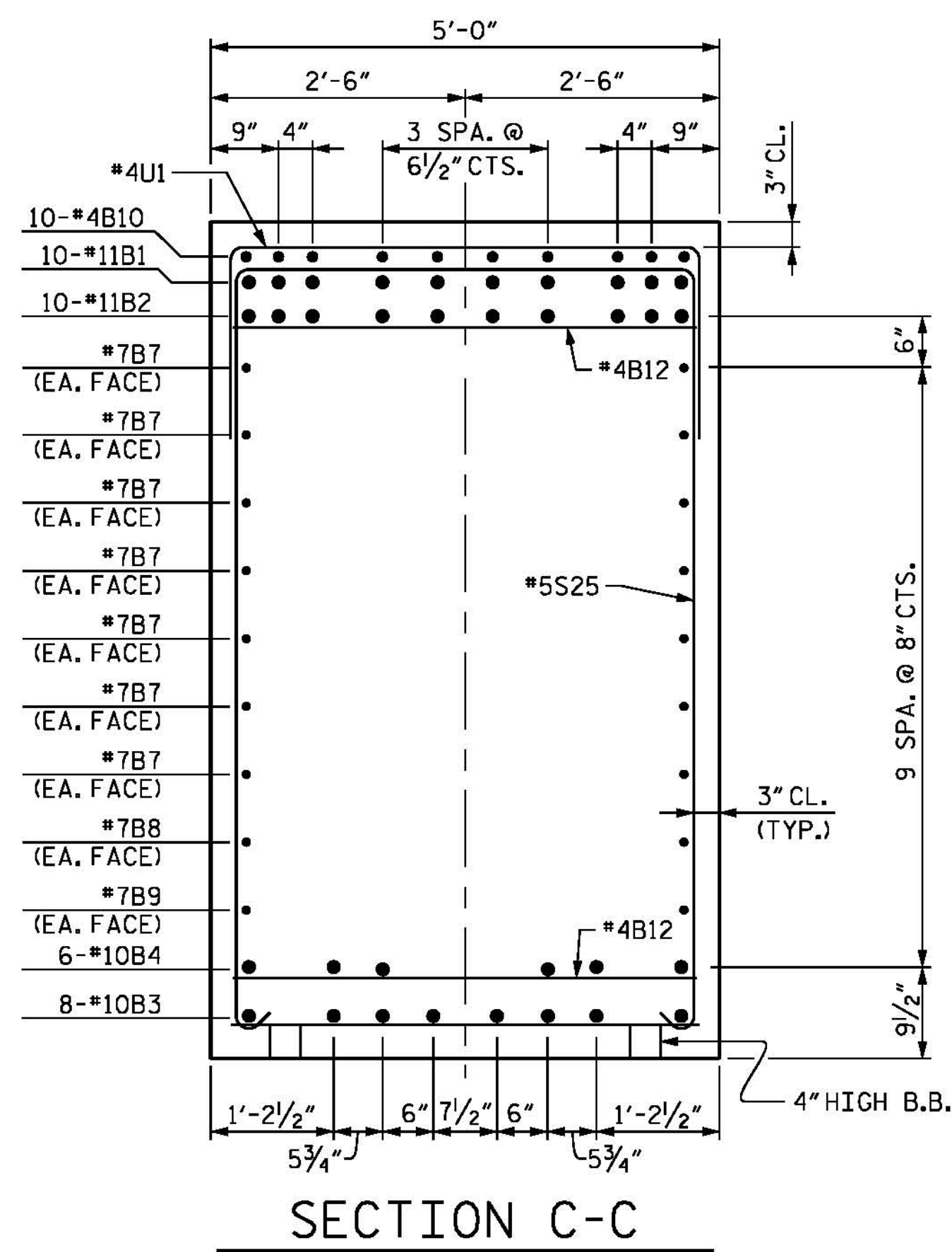


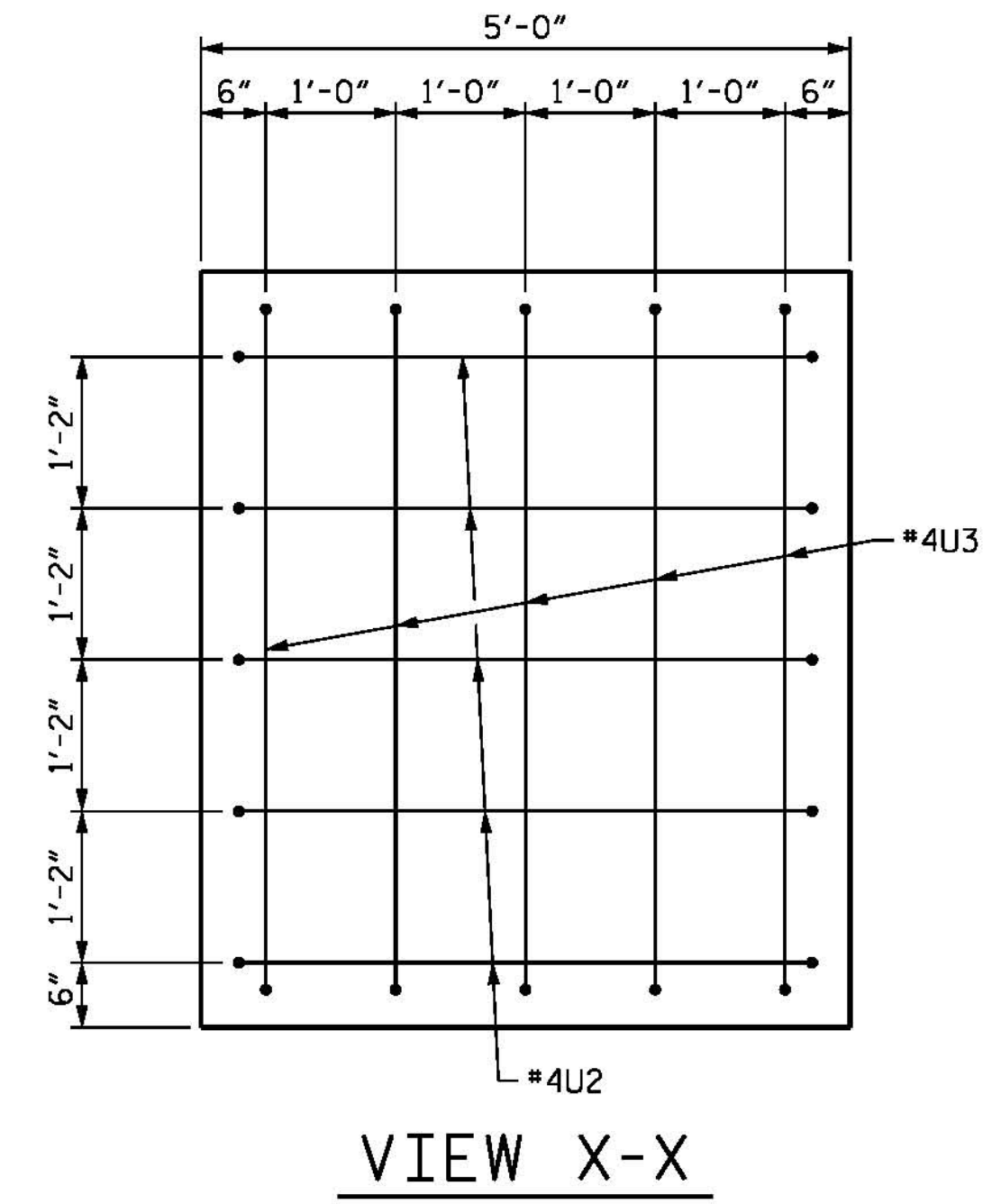
SECTION A-A



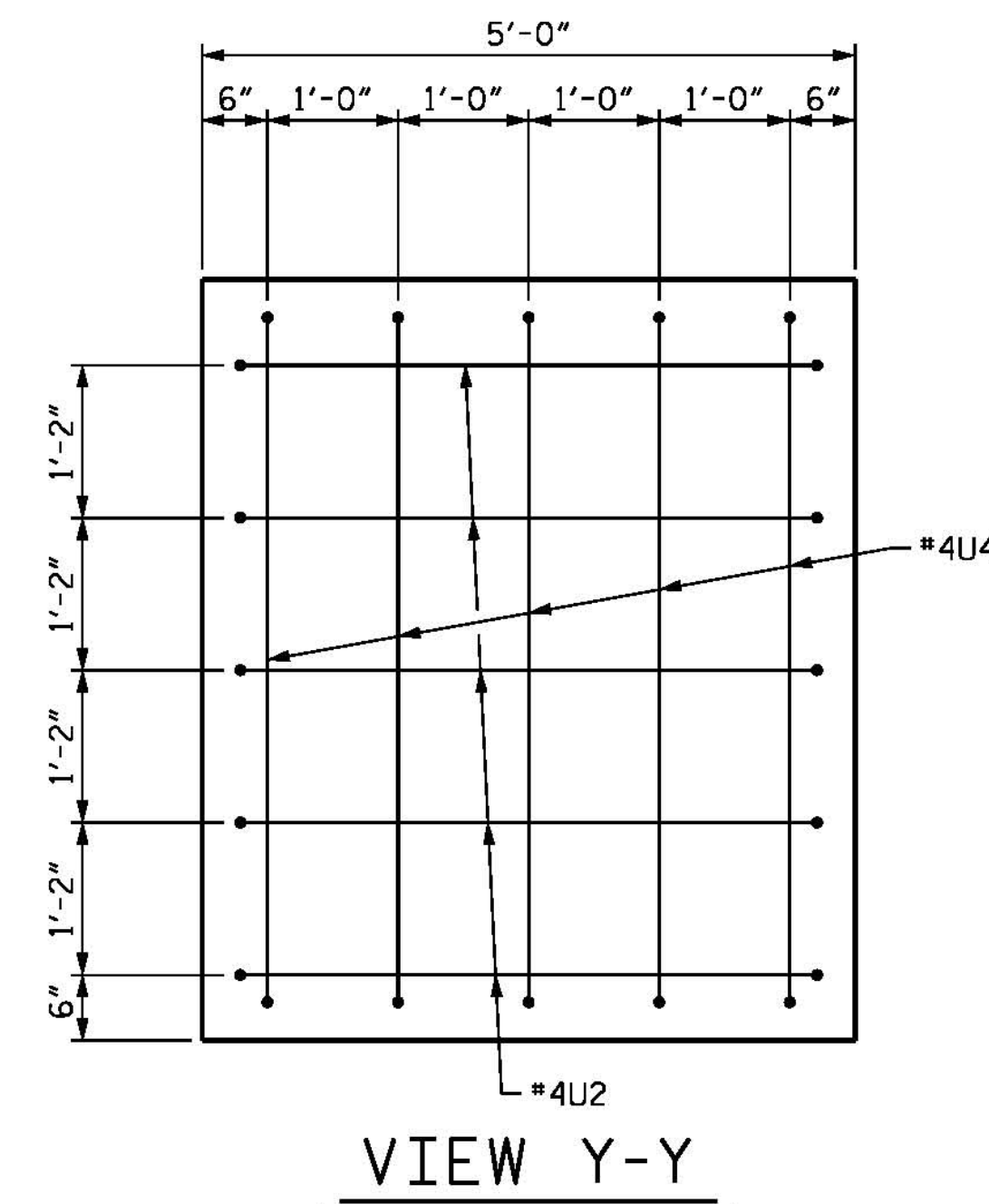
SECTION B-B



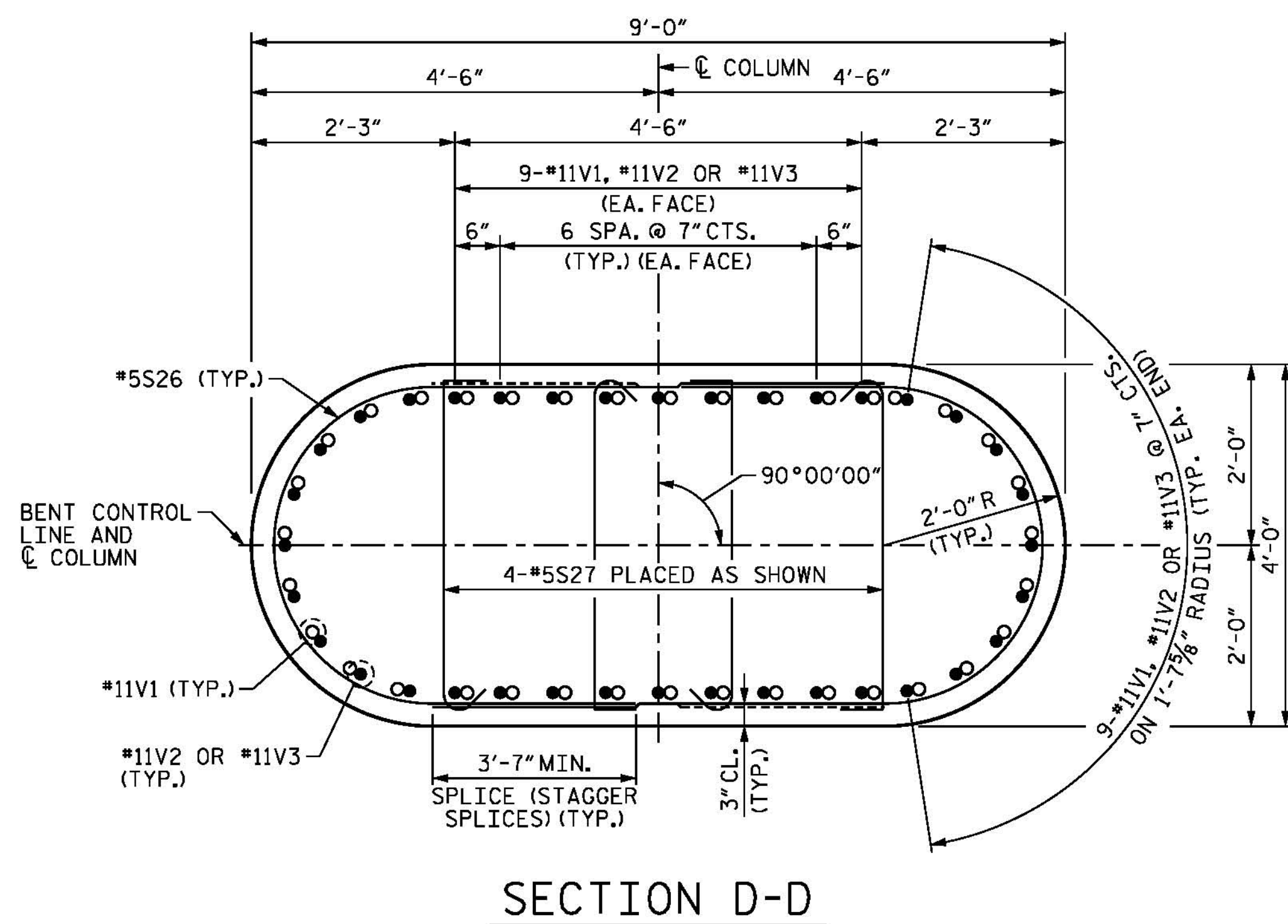
SECTION C-C



VIEW X-X



VIEW Y-Y



SECTION D-D

WHEN PLACING #5S27 BARS, ALTERNATE THE POSITION OF THE 135° HOOK HORIZONTALLY AND VERTICALLY.  
ALTERNATE DIRECTION OF #5S26 TO STAGGER LAPS.

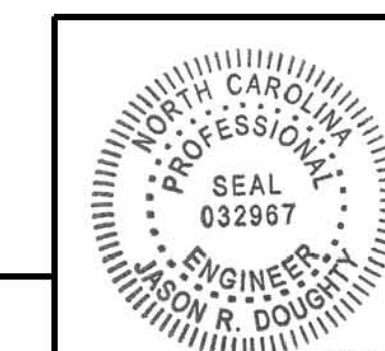
NOTES:

FOR NOTES, SEE SHEET 1 OF 5.

PROJECT NO. B-4929  
PENDER COUNTY  
STATION: 38+13.81 -L2-

SHEET 2 OF 5

STATE OF NORTH CAROLINA  
DEPARTMENT OF TRANSPORTATION  
RALEIGH  
SUBSTRUCTURE  
BENTS 19 AND 22  
SECTIONS AND DETAILS



DocuSigned by:  
Jason R. Doughty  
5/12/16

**PARSONS BRINCKERHOFF**  
434 FAYETTEVILLE STREET  
SUITE 1500  
RALEIGH, NC 27601  
LICENSE NO. F-0165

DOCUMENT NOT CONSIDERED FINAL  
UNLESS ALL SIGNATURES COMPLETED

REVISIONS						SHEET NO.
NO.	BY:	DATE:	NO.	BY:	DATE:	TOTAL SHEETS
1			3			278
2			4			

5/11/2016 400\_365\_B4929\_SMU\_IB19\_2.dgn

DESIGNED BY: J. BORUTA DATE: FEB 2016  
DRAWN BY: MAH/KEW DATE: MAR 2016  
CHECKED BY: J. DOUGHTY DATE: MAR 2016  
DESIGN ENGINEER OF RECORD: J. DOUGHTY DATE: MAY 2016