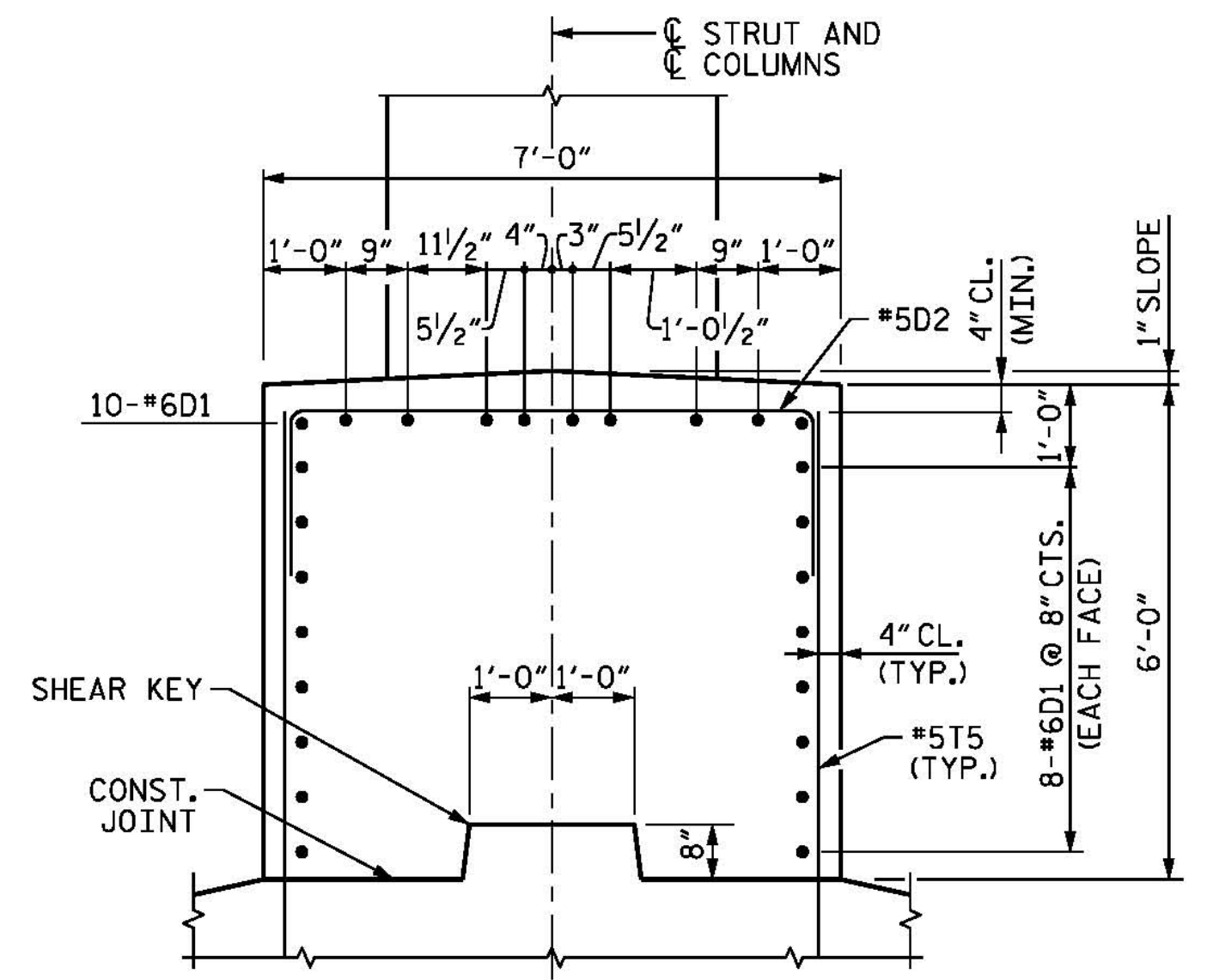


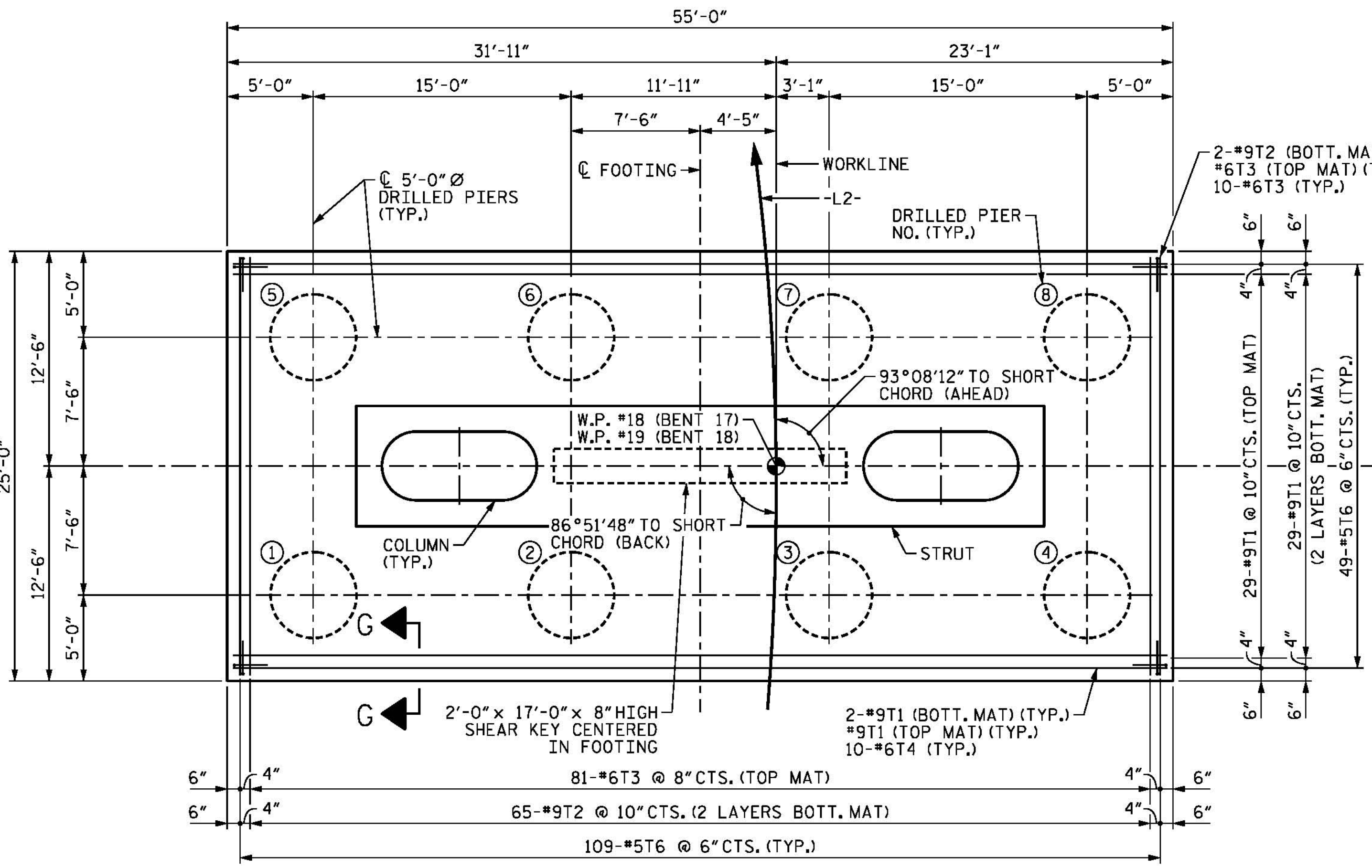
**NOTES**

FOR NOTES, SEE SHEET 1 OF 5.

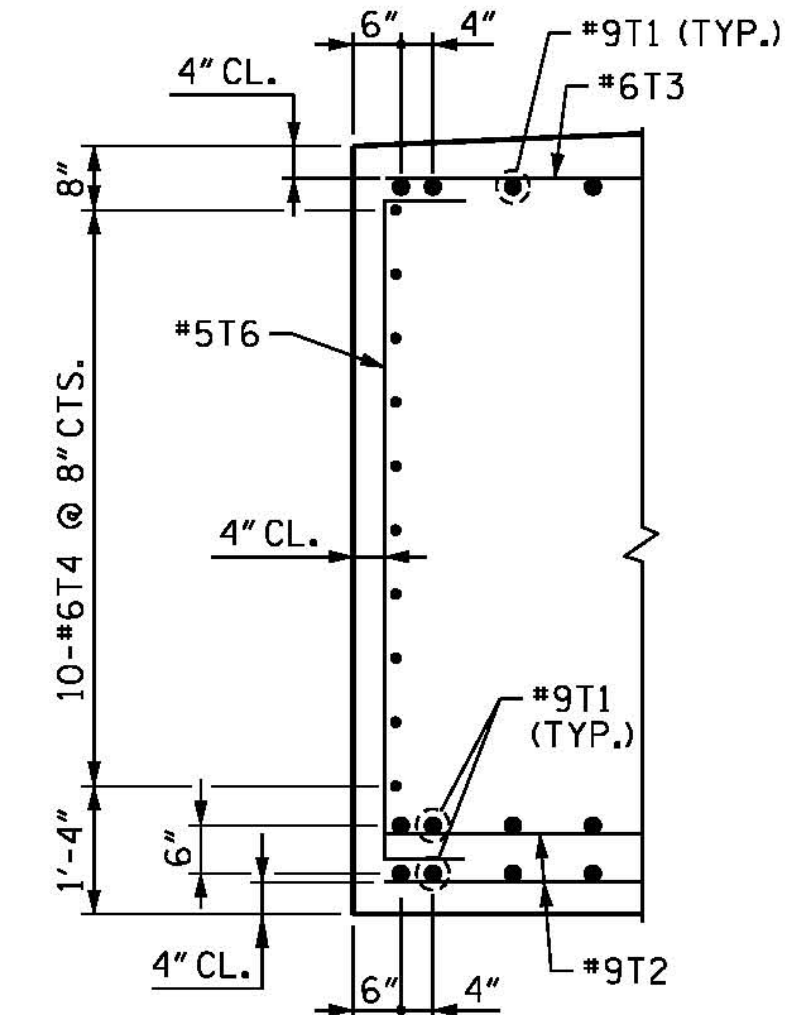


**SECTION E-E**

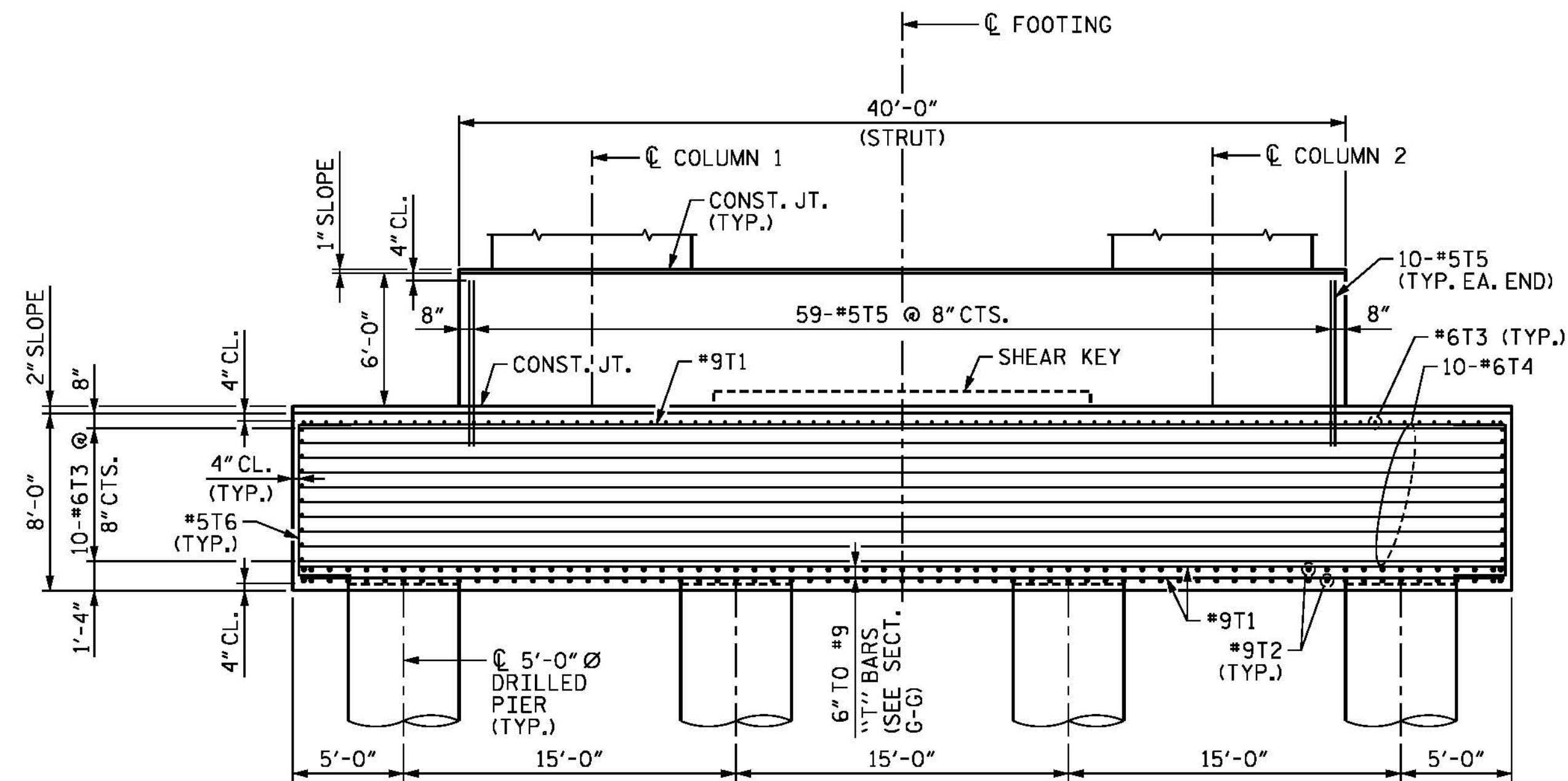
BARS MAY BE SHIFTED SLIGHTLY, AS NECESSARY, TO CLEAR COLUMN REINFORCING.



**FOOTING PLAN**

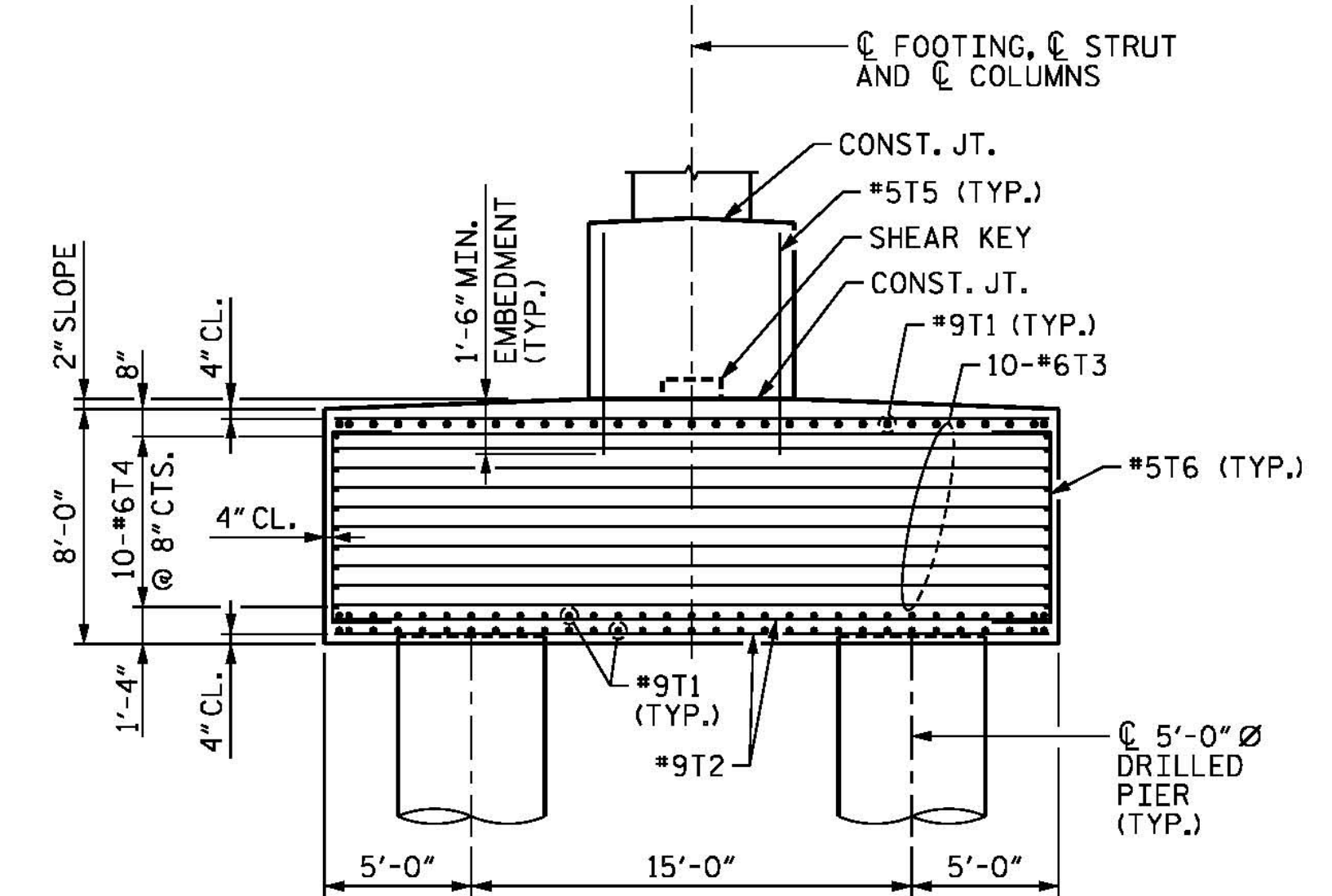


**SECTION G-G**



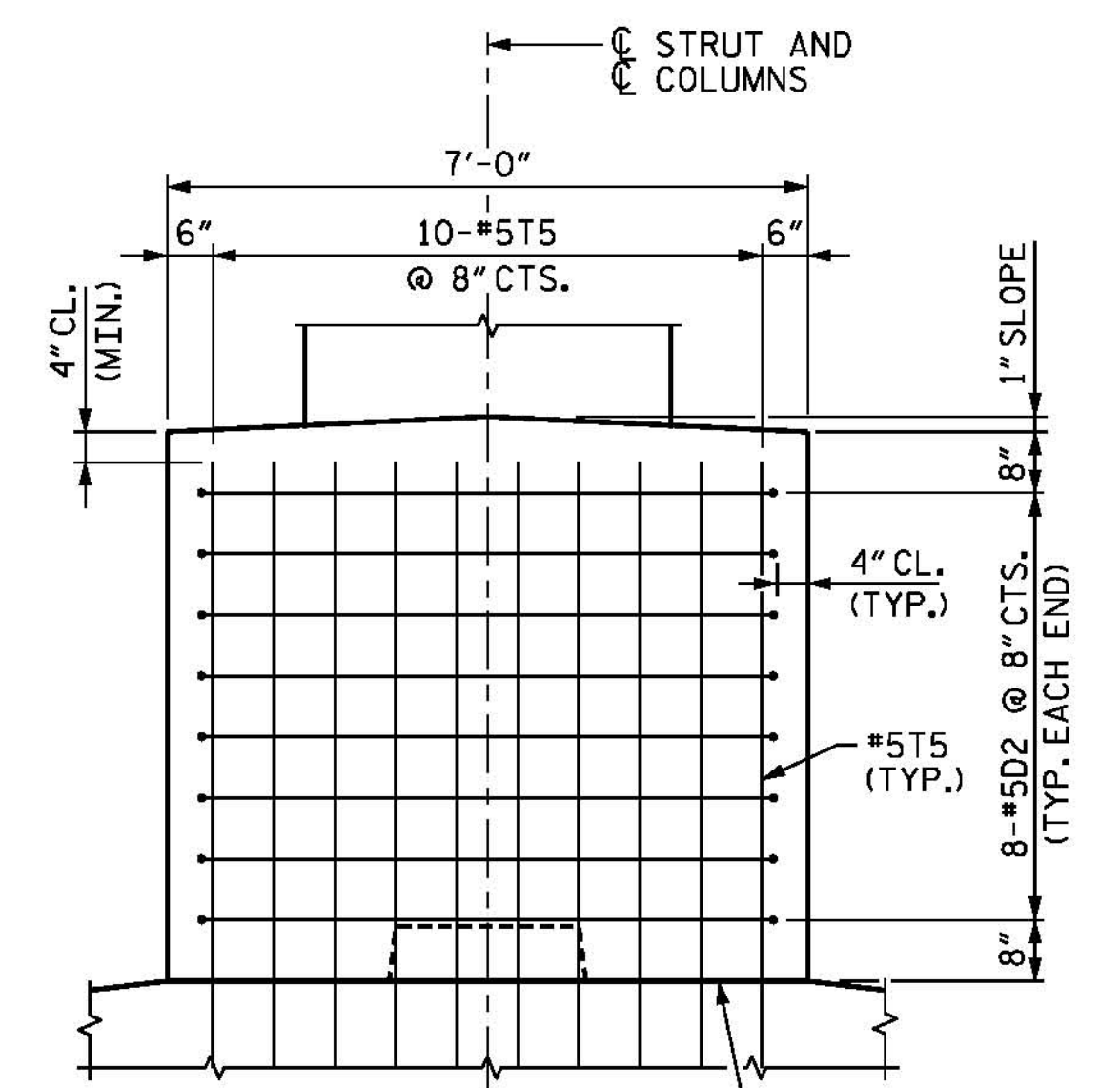
**FOOTING AND STRUT ELEVATION**

COLUMN AND STRUT REINFORCEMENT NOT SHOWN FOR CLARITY, SEE SHEETS 1 OF 5 AND 2 OF 5.



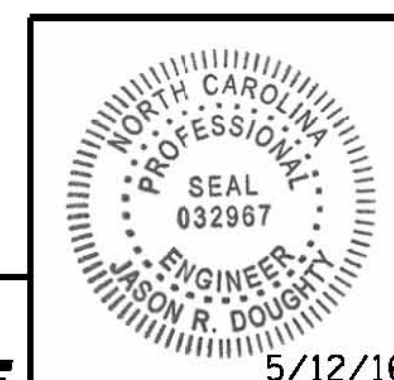
**SIDE ELEVATION**

COLUMN AND STRUT REINFORCEMENT NOT SHOWN FOR CLARITY, SEE SHEETS 1 OF 5 AND 2 OF 5.



**VIEW Z-Z**

PROJECT NO. B-4929  
PENDER COUNTY  
 STATION: 38+13.81 -L2-  
 SHEET 3 OF 5



DocuSigned by:  
 Jason R. Doughty

**PARSONS BRINCKERHOFF**  
 434 FAYETTEVILLE STREET  
 SUITE 1500  
 RALEIGH, NC 27601  
 LICENSE NO. F-0165

STATE OF NORTH CAROLINA  
 DEPARTMENT OF TRANSPORTATION  
 RALEIGH  
 SUBSTRUCTURE  
**BENTS 17 AND 18**  
 SECTIONS AND DETAILS

REVISIONS					
NO.	BY:	DATE:	NO.	BY:	DATE:
1			3		
2			4		

SHEET NO.  
**S-182**  
 TOTAL SHEETS  
 278

**DOCUMENT NOT CONSIDERED FINAL  
 UNLESS ALL SIGNATURES COMPLETED**

5/10/2016  
 400\_357\_B4929\_SMU\_IB17\_3.dgn

DESIGNED BY: E. ULLMER DATE: FEB 2016  
 DRAWN BY: M. HOBBS DATE: MAR 2016  
 CHECKED BY: B. LOFLIN DATE: MAR 2016  
 DESIGN ENGINEER OF RECORD: J. DOUGHTY DATE: MAY 2016