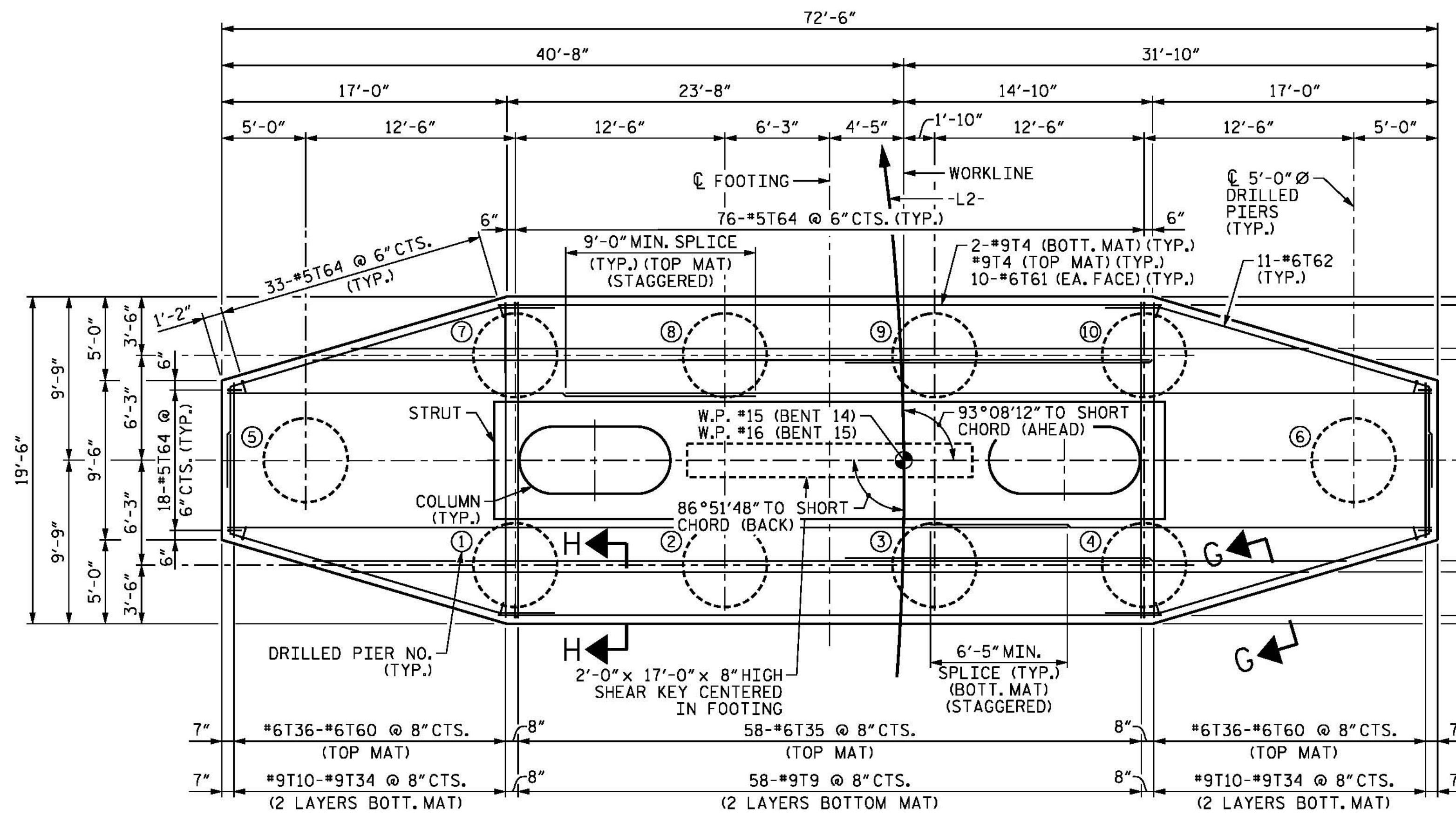
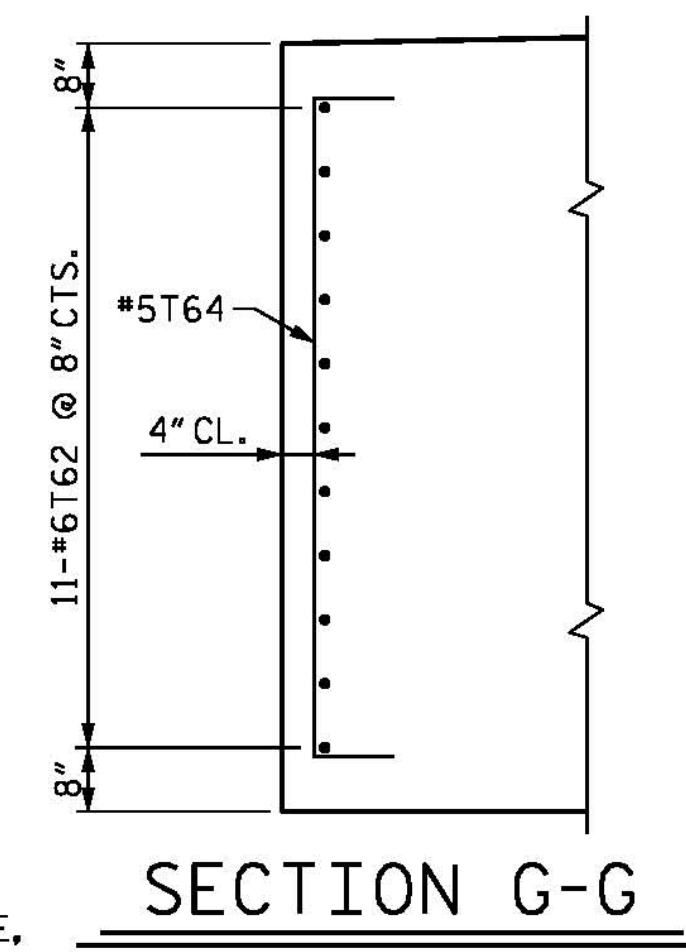


NOTES

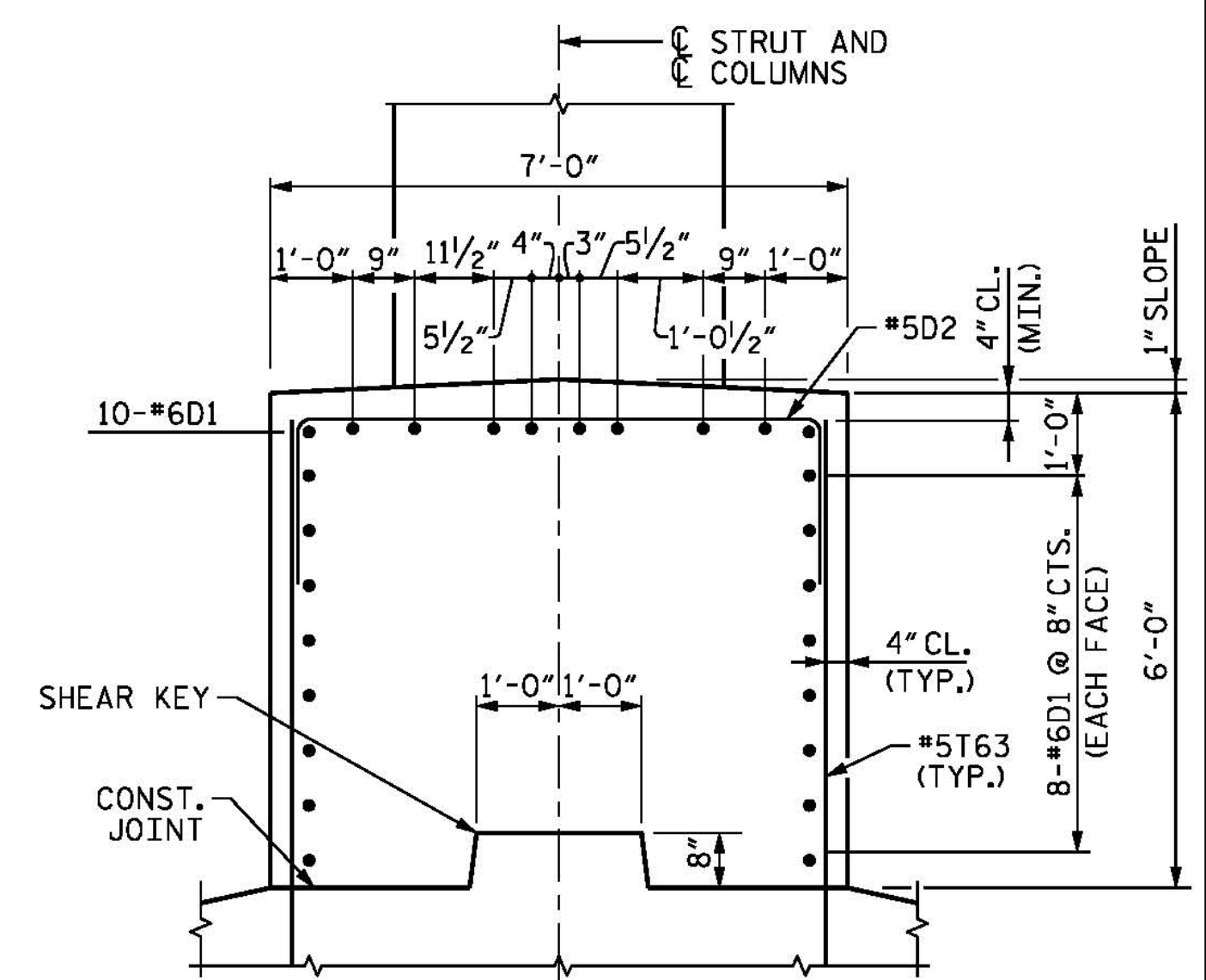
FOR NOTES, SEE SHEET 1 OF 5.



FOOTING PLAN

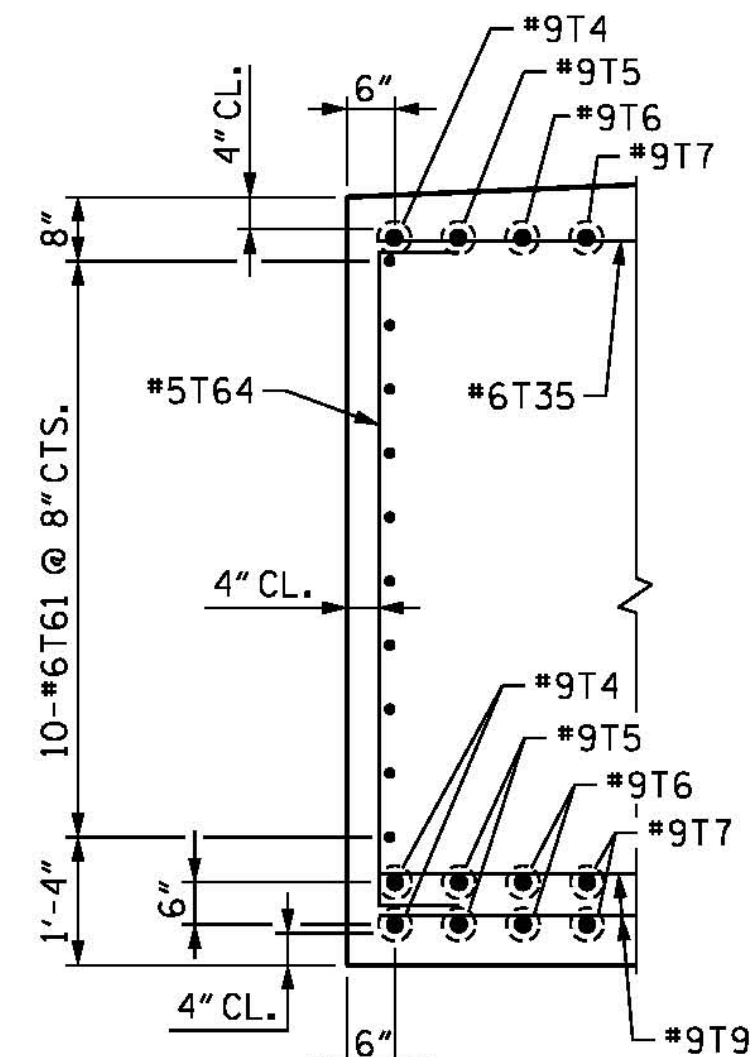


SECTION G-G

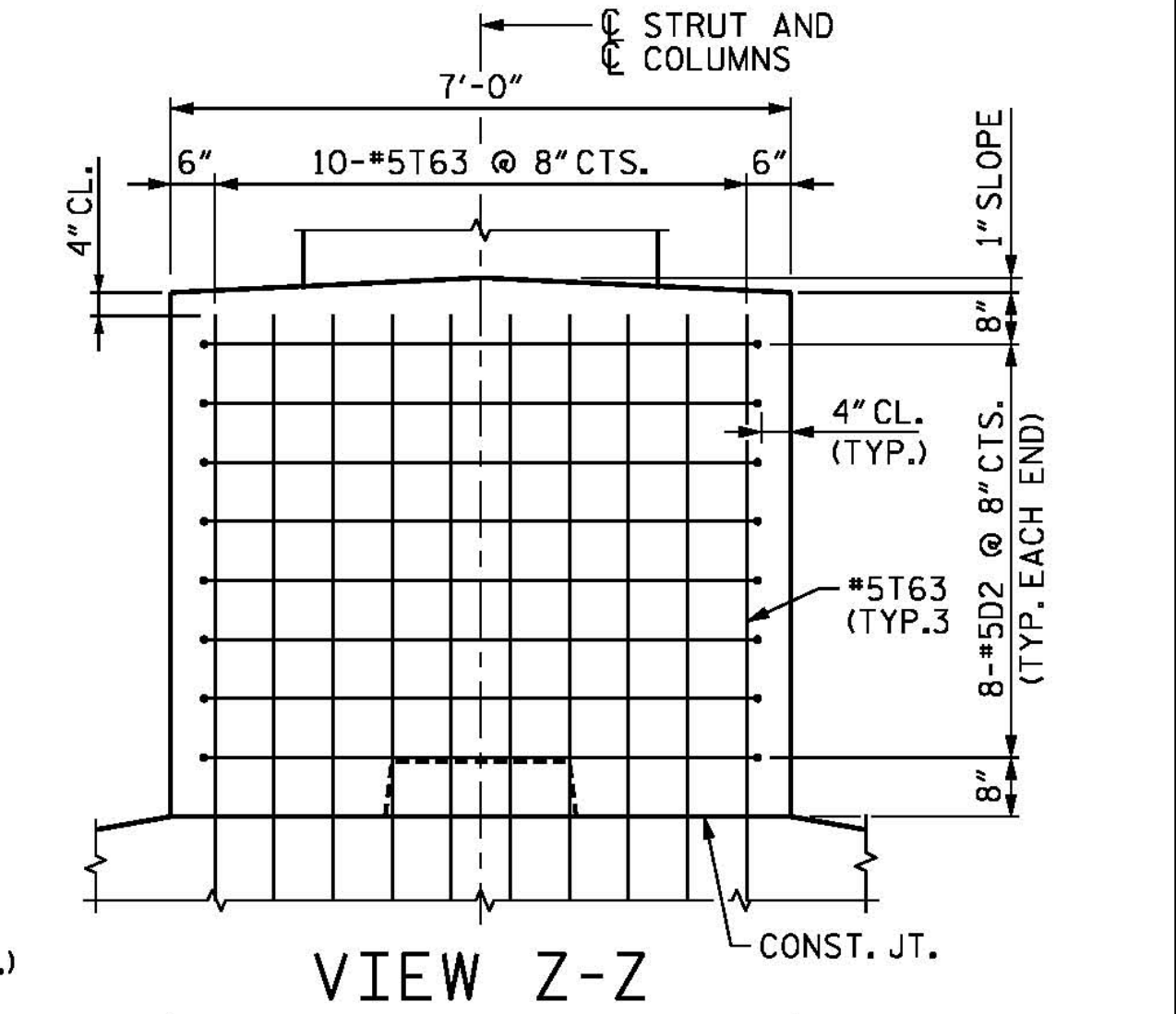


SECTION F-F

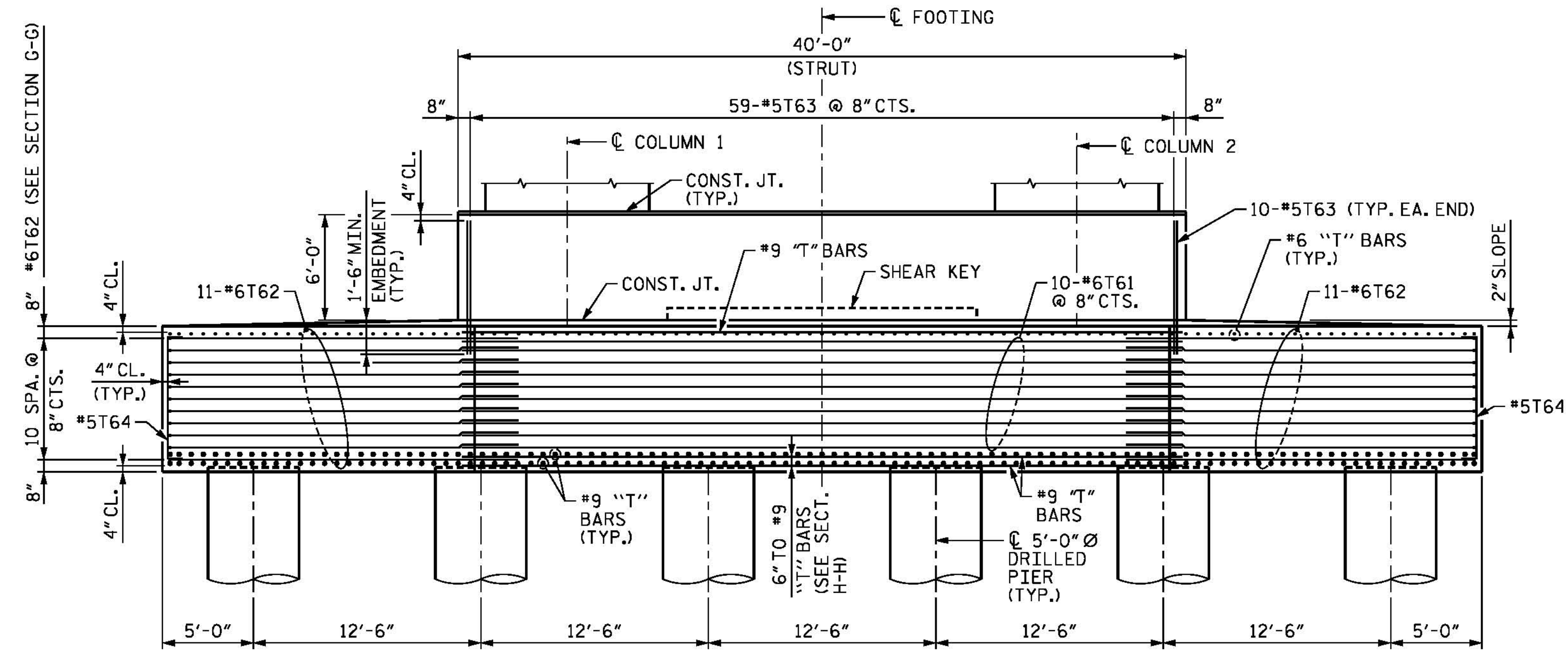
BARs MAY BE SHIFTED SLIGHTLY, AS NECESSARY, TO CLEAR COLUMN REINFORCING.



SECTION H-H

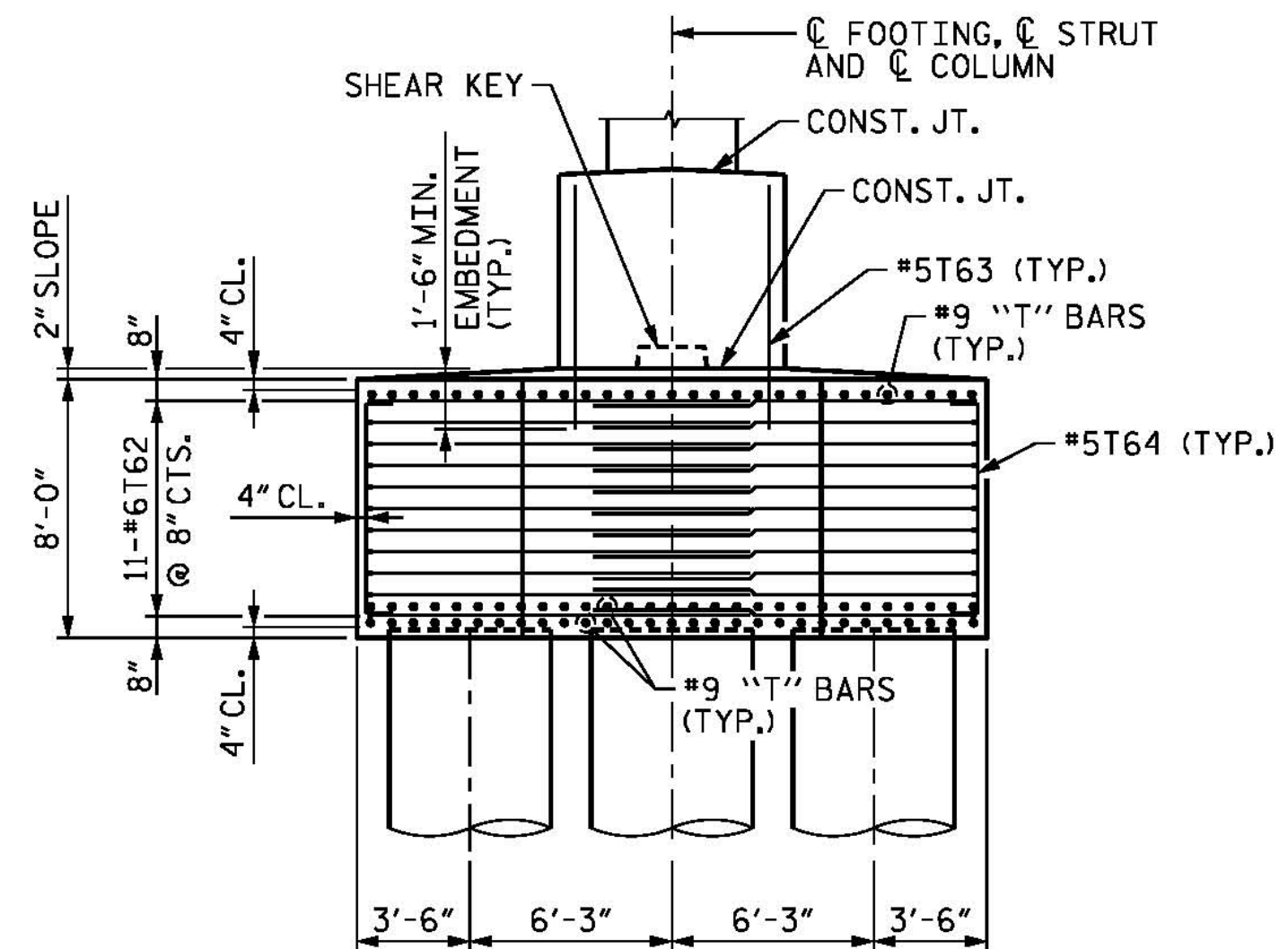


VIEW Z-Z



FOOTING AND STRUT ELEVATION

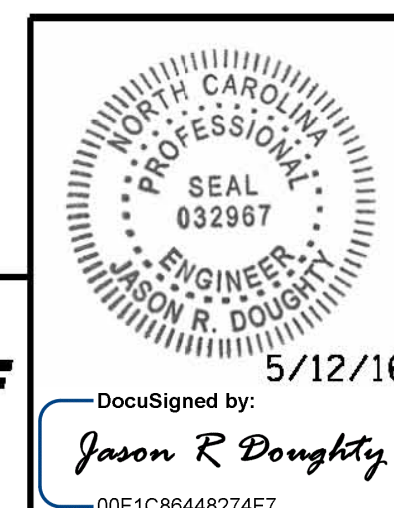
COLUMN AND STRUT REINFORCEMENT NOT SHOWN FOR CLARITY, SEE SHEETS 1 OF 5 AND 2 OF 5.



SIDE ELEVATION

COLUMN AND STRUT REINFORCEMENT NOT SHOWN FOR CLARITY, SEE SHEETS 1 OF 5 AND 2 OF 5.

PROJECT NO. B-4929
PENDER COUNTY
 STATION: 38+13.81 -L2-
 SHEET 3 OF 5



PARSONS BRINCKERHOFF
 434 FAYETTEVILLE STREET
 SUITE 1500
 RALEIGH, NC 27601
 LICENSE NO. F-0165

DocuSigned by:
 Jason R. Doughty
 5/12/16

STATE OF NORTH CAROLINA
 DEPARTMENT OF TRANSPORTATION
 RALEIGH
 SUBSTRUCTURE
**BENTS 14 AND 15
 FOOTING DETAILS**

REVISIONS						SHEET NO.
NO.	BY:	DATE:	NO.	BY:	DATE:	S-177
1			3			TOTAL SHEETS
2			4			278

**DOCUMENT NOT CONSIDERED FINAL
 UNLESS ALL SIGNATURES COMPLETED**

5/10/2016
 400_347_B4929_SMU_IB14_3.dgn

DESIGNED BY:	E. ULLMER	DATE:	FEB 2016
DRAWN BY:	M. HOBBS	DATE:	MAR 2016
CHECKED BY:	B. LOFLIN	DATE:	MAR 2016
DESIGN ENGINEER OF RECORD:	J. DOUGHTY	DATE:	MAY 2016