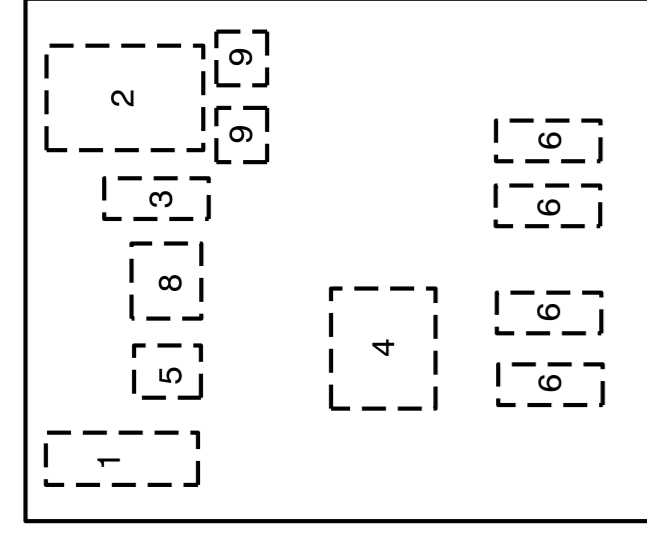


STATE OF NORTH CAROLINA
DEPT. OF TRANSPORTATION
DIVISION OF HIGHWAYS
RALEIGH, N.C.

ENGLISH STANDARD DRAWING FOR
LIGHT CONTROL SYSTEM
SCHEMATIC

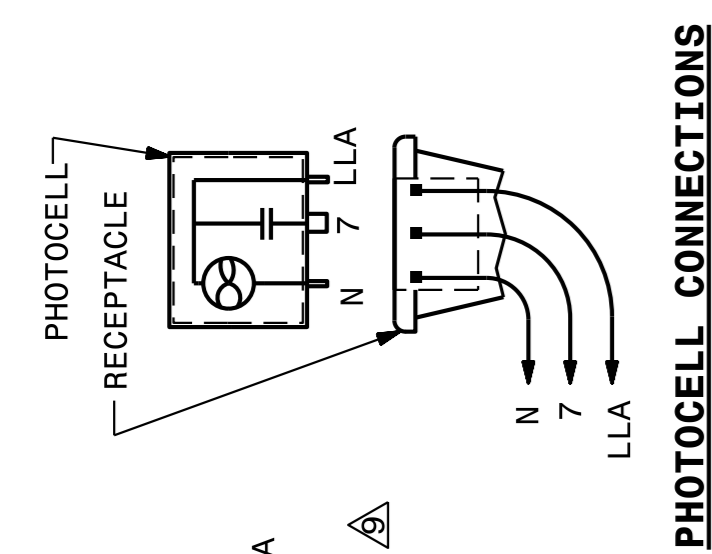
SHEET 1 OF 3
1408D01

- NOTES**
- 1 EQUIPMENT GROUNDS (G) SHALL BE SIZED ACCORDING TO CIRCUIT DESCRIPTION. SEE PLANS.
 - 2 SYSTEM GROUND (SG) SHALL BE CONTINUOUS FROM THE NEUTRAL BAR TO THE GROUNDING ELECTRODE (GROUND ROD).
 - 3 THE NEUTRAL BAR SHALL BE BONDED TO THE PANEL.
 - 4 SPARE CONDUIT SHALL BE INSTALLED, AND RUN TO NEAREST JUNCTION BOX AND CAPPED.
 - 5 INSTALL A GROUNDING BUSHING ON EACH METAL CONDUIT. CONNECT BONDING JUMPER AS REQUIRED BY NEC.
 - 6 SEE STANDARD DRAWING 1408.01 SHEET 3 OF 3 FOR ENCLOSURE.
 - 7 THE CONTROL SYSTEM MUST BE LABELED "SUITABLE FOR USE AS SERVICE EQUIPMENT." REFER TO STANDARD SPECIFICATION 1408-2 FOR OTHER REQUIREMENTS.
 - 8 SEE PLANS FOR BREAKER SIZES.
 - 9 PROVIDE MULTI-TAP LOAD LUGS OR POWER DISTRIBUTION BLOCKS.
 - 10 PROVIDE MANUFACTURER SUPPLIED MOUNTING BRACKETS OR SCREW STUDS PERMANENTLY ATTACHED TO THE BACK PANEL, FOR MOUNTING COMPONENTS.
 - 11 INSTALL LIGHTNING ARRESTOR ON OUTSIDE OF CABINET ASSEMBLY.

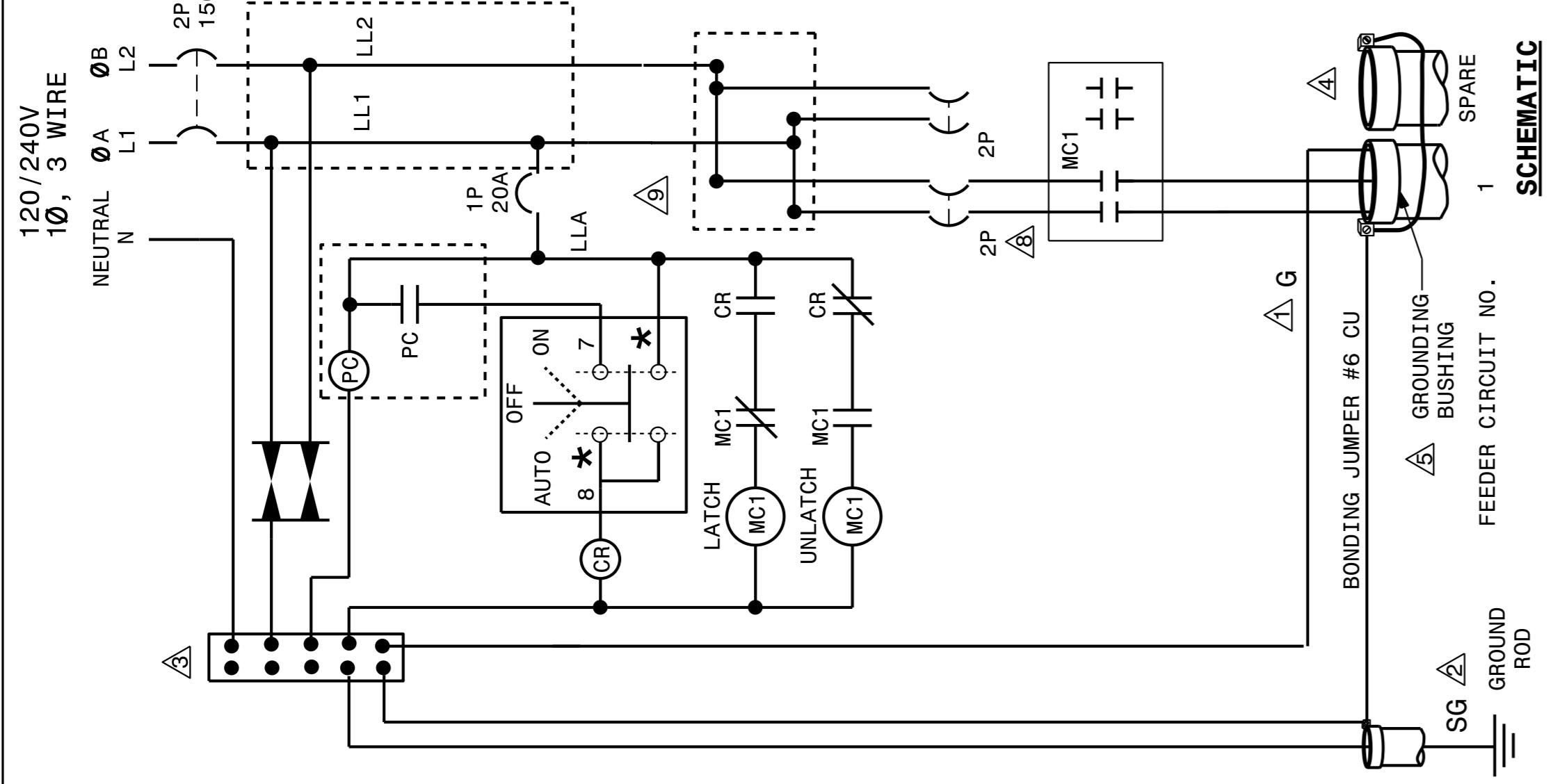


INTERIOR PANEL COMPONENT LAYOUT

#	QTY	DESCRIPTION	SPECIFICATIONS
1	1	NEUTRAL BAR	
2	1	SERVICE CIRCUIT BREAKER	2P, 240V, 60A
3	1	CONTROL CIRCUIT BREAKER	1P, 120V, 15A
4	1	MECHANICALLY HELD CONTACTORS	4P, 240V, 60A W/120V COIL
5	1	CONTROL RELAY W/NC & NO CONTACT	120V, 10A, W/120V COIL
6	2	FEEDER CIRCUIT BREAKERS	2P, 240V, 15A
7	1	LIGHTNING ARRESTER	
8	1	SELECTOR SWITCH (ON-OFF-AUTO)	120V, 10A
9	4	POWER DISTRIBUTION LUGS OR BLOCKS	
		MOUNTING BRACKETS OR SCREW STUDS	



PHOTOCELL CONNECTIONS

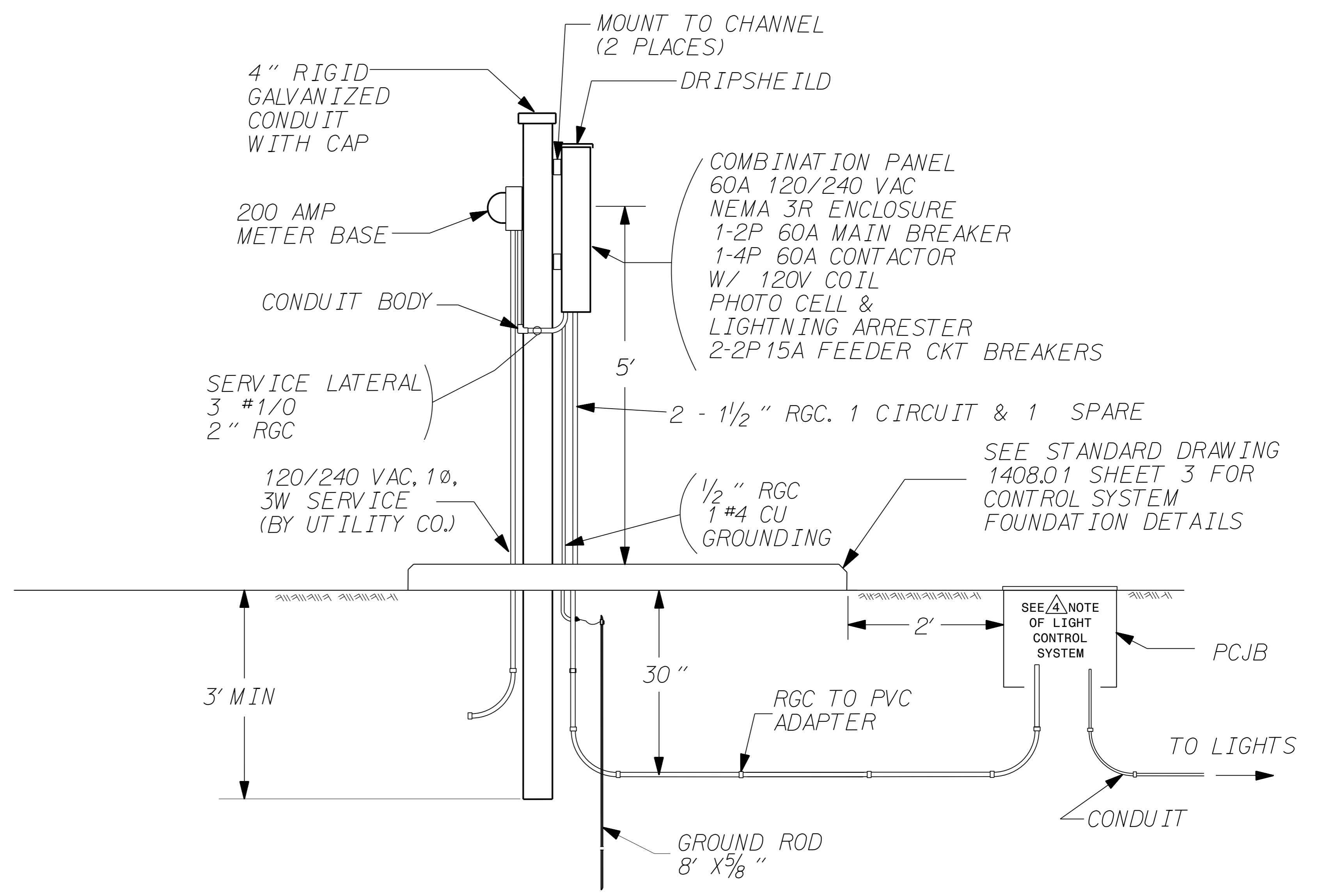


SCHEMATIC

STATE OF NORTH CAROLINA
DEPT. OF TRANSPORTATION
DIVISION OF HIGHWAYS
RALEIGH, N.C.

ENGLISH STANDARD DRAWING FOR
LIGHT CONTROL SYSTEM
SCHEMATIC

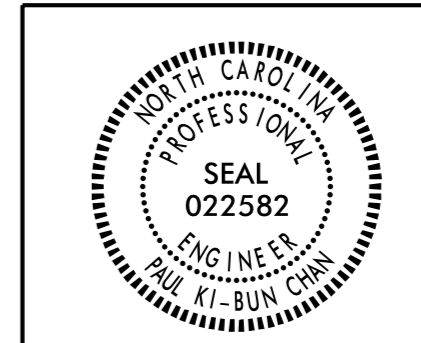
SHEET 1 OF 3
1408D01



LIGHTING CONTROLLER/SERVICE ENTRANCE EQUIPMENT
SQUARE D NIGHT-MASTER CLASS 8903 LONG VERSION OR APPROVED EQUAL

PROJECT NO. B-4929
PENDER COUNTY
STATION: 22+62.50 -L-

SHEET 2 OF 2
STATE OF NORTH CAROLINA
DEPARTMENT OF TRANSPORTATION
RALEIGH
PEDESTRIAN LIGHTING ON
BRIDGE ON NC50/NC210
OVER THE INTERCOASTAL
WATERWAY



DRAWN BY: SKS DATE: 06/01/16
CHECKED BY: PKC DATE: 06/01/16

DOCUMENT NOT CONSIDERED FINAL UNLESS ALL SIGNATURES COMPLETED
DocuSigned by: Paul Chan 6/1/2016

REVISIONS						SHEET NO.
NO.	BY:	DATE:	NO.	BY:	DATE:	S-139
1			2			TOTAL SHEETS 278