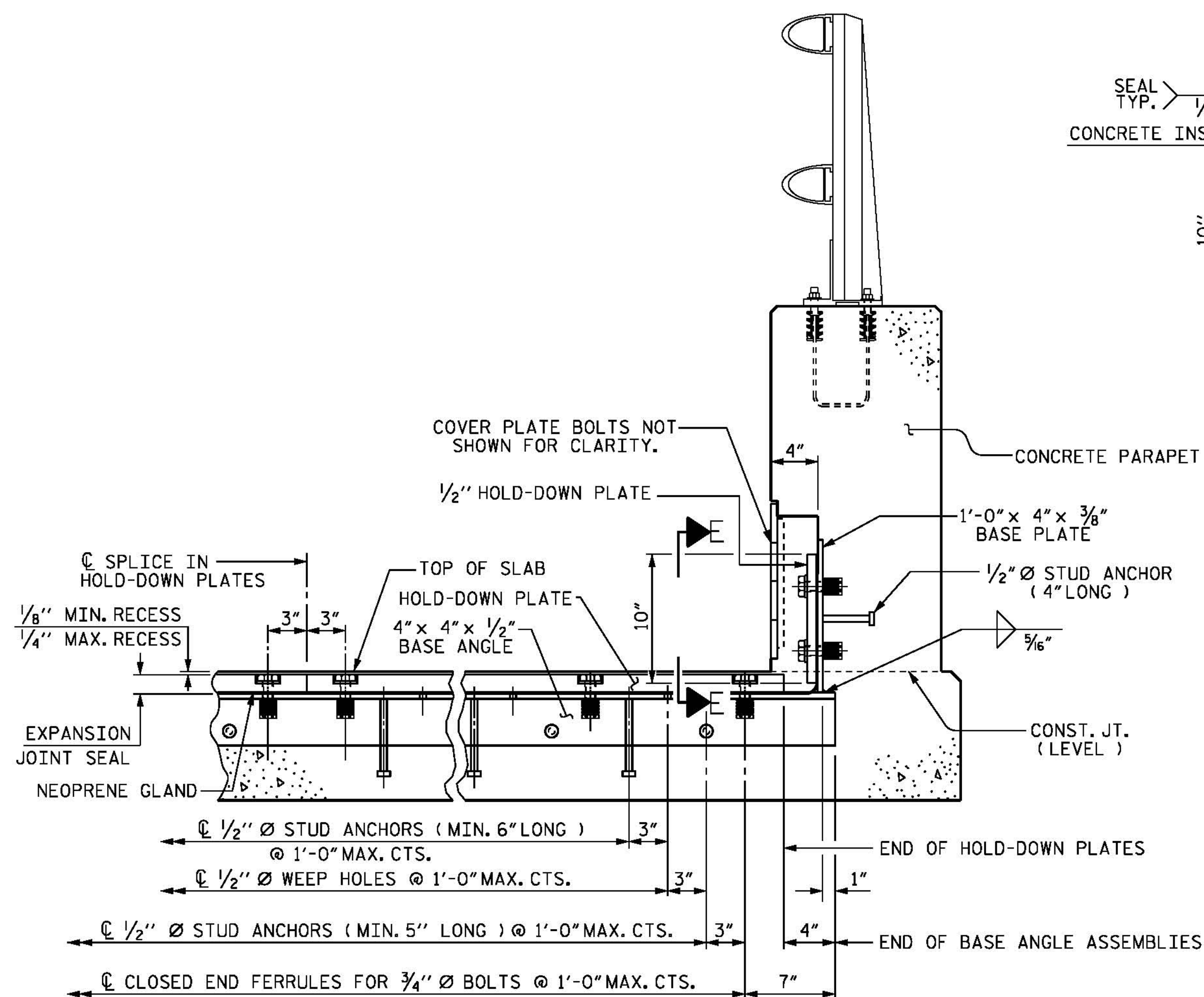
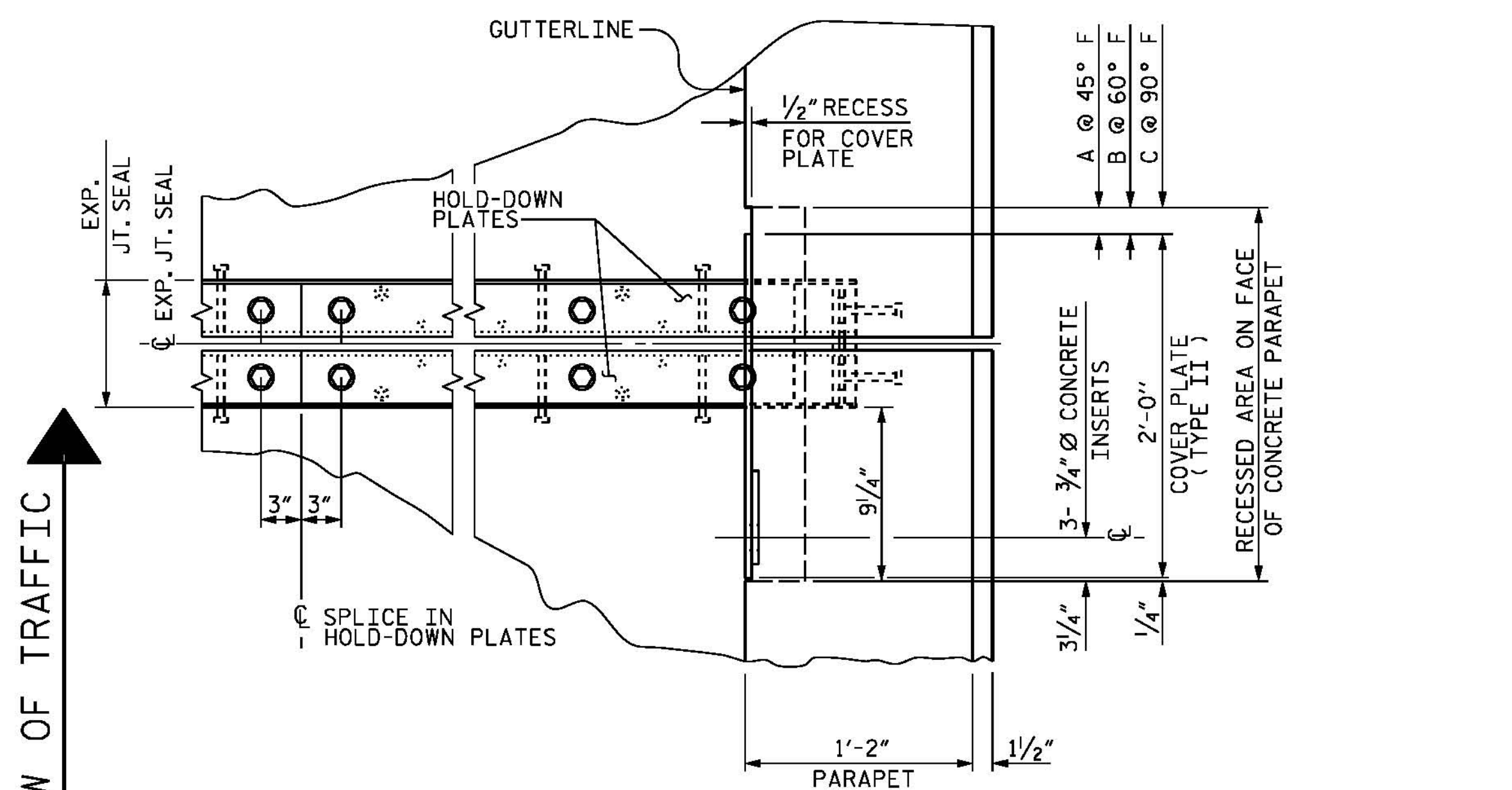


5/10/2016
400_269_B4929_SMU_EJ4.dgn

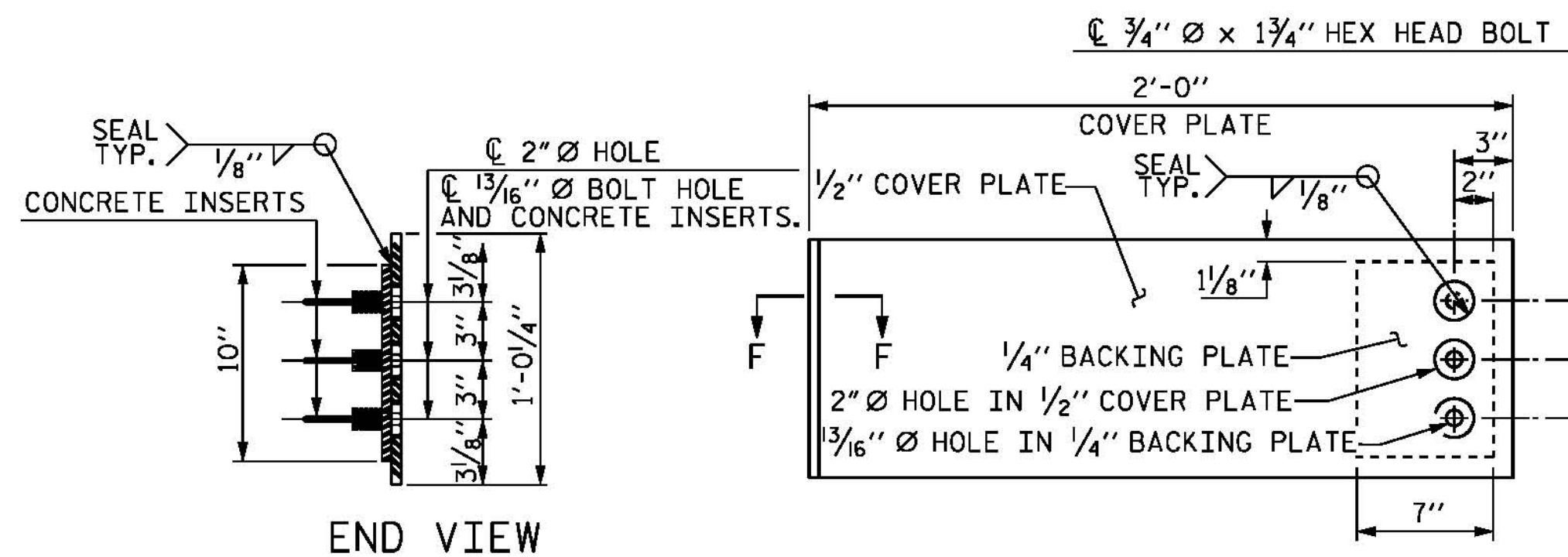
DESIGNED BY: J. SMITH DATE: NOV 2015
 DRAWN BY: K. WHITE DATE: NOV 2015
 CHECKED BY: J. DOUGHTY DATE: FEB 2016
 DESIGN ENGINEER OF RECORD: J. DOUGHTY DATE: MAY 2016



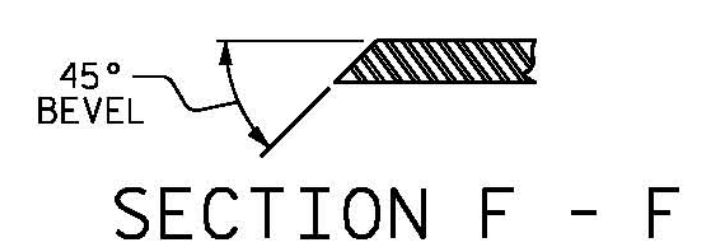
SECTION THRU PARAPET NORMAL TO JOINT



PLAN OF EXPANSION JOINT SEAL - RIGHT SIDE

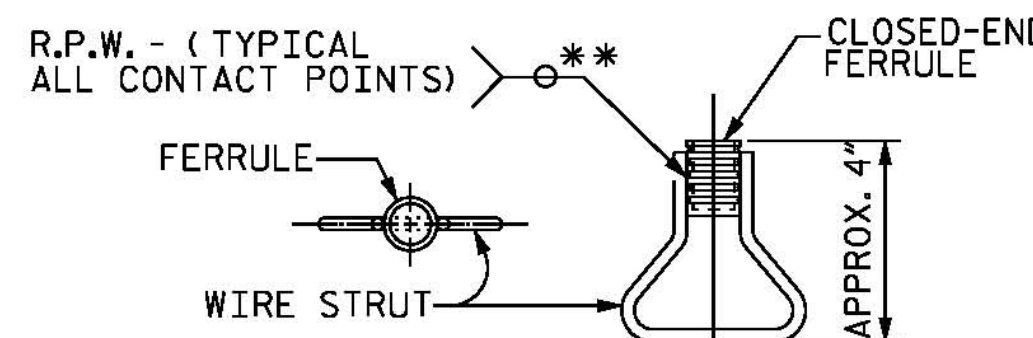


TYPE II - ELEVATION VIEW
COVER PLATE DETAILS



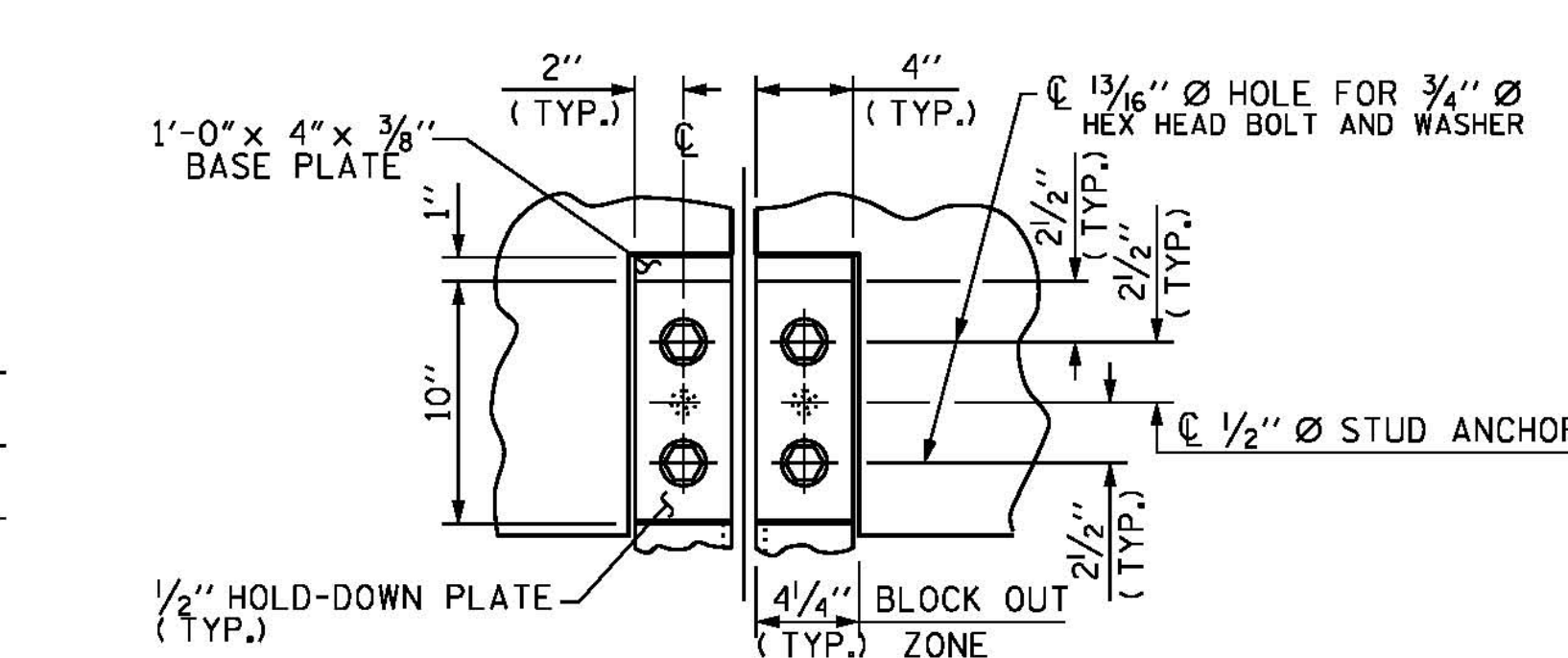
BLOCK OUT DETAIL

SEE "SECTION E-E" FOR OTHER DETAILS.

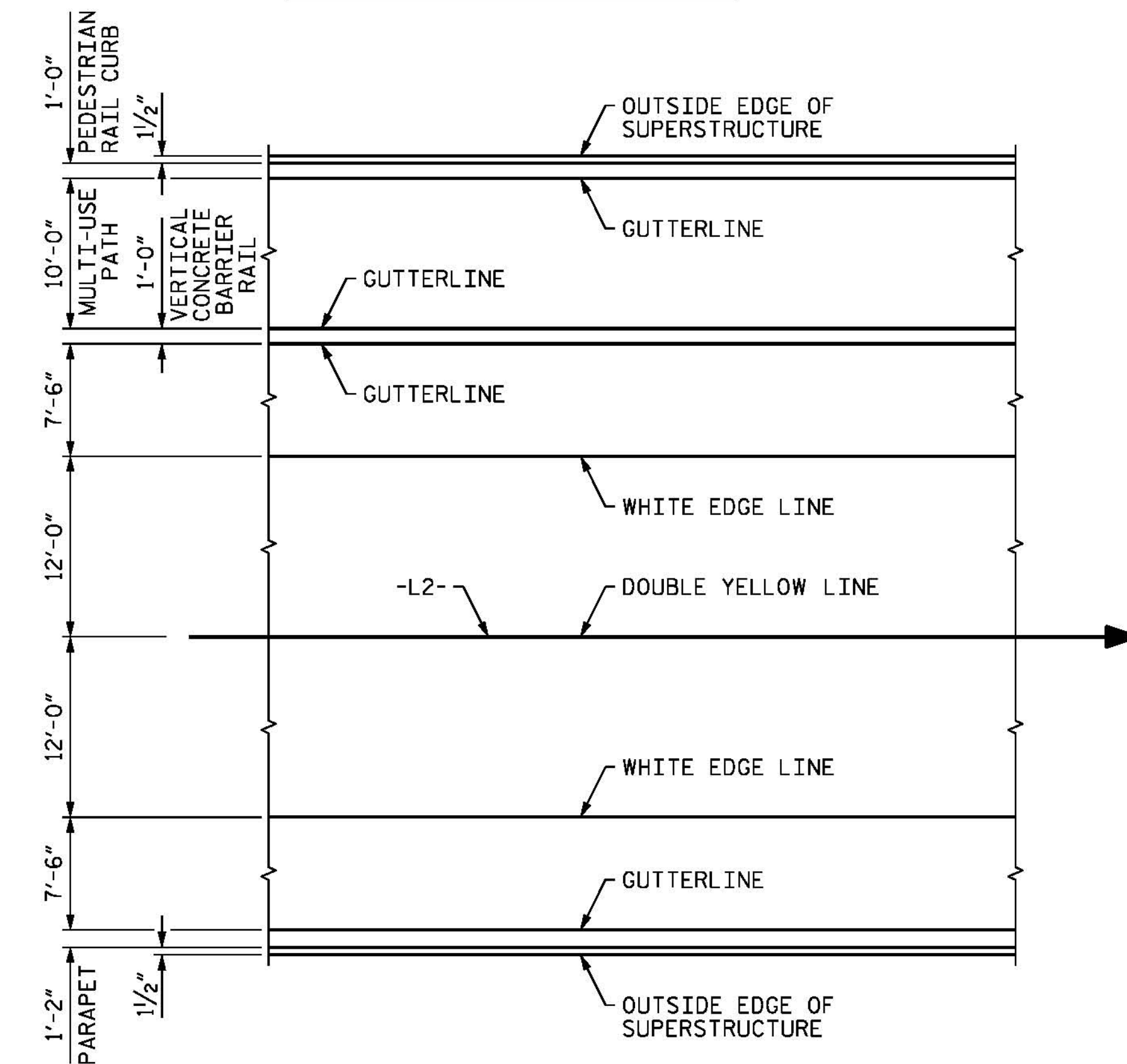


PLAN ELEVATION
CONCRETE INSERT

** EACH WELDED ATTACHMENT OF WIRE TO FERRULE SHALL DEVELOP THE TENSILE STRENGTH OF THE WIRE.



SECTION E - E

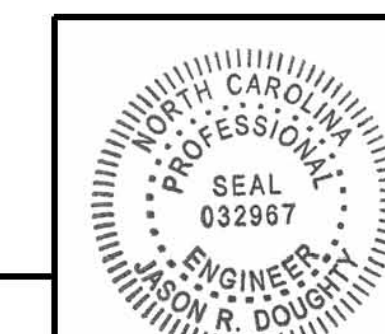


PAVEMENT MARKING ALIGNMENT

BENT NO.	(A)	(B)	(C)
EB1	1 5/8"	1 1/2"	1 3/16"
3	2 1/8"	1 3/4"	1"
6	2 1/16"	2"	1 1/16"
10	2 7/16"	2"	1 1/16"
13	2 1/2"	2"	1 1/16"
16	2 1/2"	2"	1"
19	2 1/2"	2"	1"
22	2 1/2"	2"	1 1/16"
25	2 3/16"	2"	1 3/16"
26	1 5/8"	1 1/2"	1 3/16"
EB2	1 5/8"	1 1/2"	1 3/16"

PROJECT NO. B-4929
PENDER COUNTY
 STATION: 38+13.81 -L2-

SHEET 4 OF 4



DocuSigned by:
Jason R. Doughty
00F1C86448274F7...

STATE OF NORTH CAROLINA
 DEPARTMENT OF TRANSPORTATION
 RALEIGH
 SUPERSTRUCTURE
 EXPANSION JOINT SEAL
 DETAILS FOR
 CONCRETE PARAPET

REVISIONS

NO.	BY:	DATE:	NO.	BY:	DATE:
1			3		
2			4		

SHEET NO.
S-136
TOTAL SHEETS
278

PARSONS BRINCKERHOFF
 434 FAYETTEVILLE STREET
 SUITE 1500
 RALEIGH, NC 27601
 LICENSE NO. F-0165

DOCUMENT NOT CONSIDERED FINAL
 UNLESS ALL SIGNATURES COMPLETED