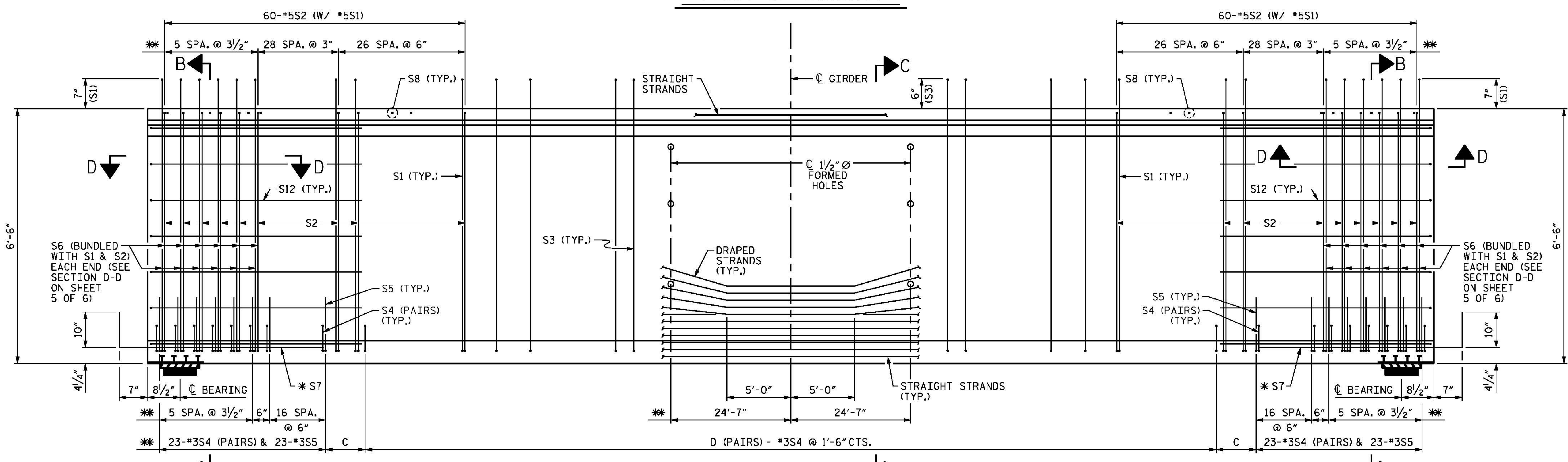


PLAN OF GIRDER

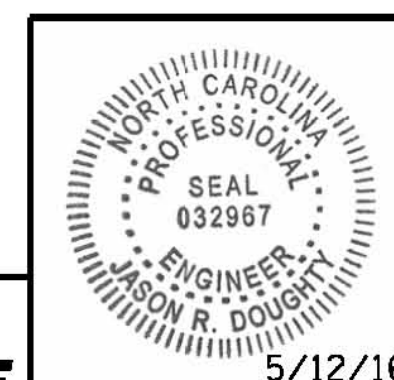


ELEVATION OF GIRDER

(FOR NOTES, SEE SHEET 1 OF 6)

SPANS R AND U GIRDER DIMENSIONS							
GIRDER	L	A	B	C	D	E	F
GDR. R1 AND U1	146'-3 ³ / ₄ "	1'-5 ⁵ / ₈ "	37	1'-5 ⁵ / ₈ "	83	8 ¹ / ₈ "	129
GDR. R2 AND U2	147'-5 ⁷ / ₈ "	1'-3 ¹⁵ / ₁₆ "	38	1'-3 ¹⁵ / ₁₆ "	84	9 ⁷ / ₁₆ "	130
GDR. R3 AND U3	148'-8 ¹ / ₂ "	1'-2 ¹ / ₄ "	39	1'-2 ¹ / ₄ "	85	10 ³ / ₄ "	131
GDR. R4 AND U4	149'-11 ¹ / ₈ "	1'-0 ⁹ / ₁₆ "	40	1'-0 ⁹ / ₁₆ "	86	6 ¹ / ₁₆ "	133
GDR. R5 AND U5	151'-1 ⁷ / ₈ "	10 ¹⁵ / ₁₆ "	41	10 ¹⁵ / ₁₆ "	87	7 ⁷ / ₁₆ "	134

PROJECT NO. B-4929
PENDER COUNTY
 STATION: 38+13.81 -L2-
 SHEET 2 OF 6



PARSONS BRINCKERHOFF
 434 FAYETTEVILLE STREET
 SUITE 1500
 RALEIGH, NC 27601
 LICENSE NO. F-0165

DocuSigned by:
 Jason R Doughty
 00F1C96448274F7...
 5/12/16

STATE OF NORTH CAROLINA
 DEPARTMENT OF TRANSPORTATION
 RALEIGH
 SUPERSTRUCTURE
 F.I.B. 78"
 PRESTRESSED
 CONCRETE GIRDER
 (SPANS R AND U)

REVISIONS						SHEET NO.
NO.	BY:	DATE:	NO.	BY:	DATE:	S-90
1			3			TOTAL SHEETS 278
2			4			

DESIGNED BY: B. LOFLIN DATE: FEB 2016
 DRAWN BY: M. HOBBS DATE: FEB 2016
 CHECKED BY: J. SHERMAN DATE: FEB 2016
 DESIGN ENGINEER OF RECORD: J. DOUGHTY DATE: MAY 2016

**DOCUMENT NOT CONSIDERED FINAL
 UNLESS ALL SIGNATURES COMPLETED**

5/10/2016 400.177_B4929_SMU_FIB78_06.dgn