

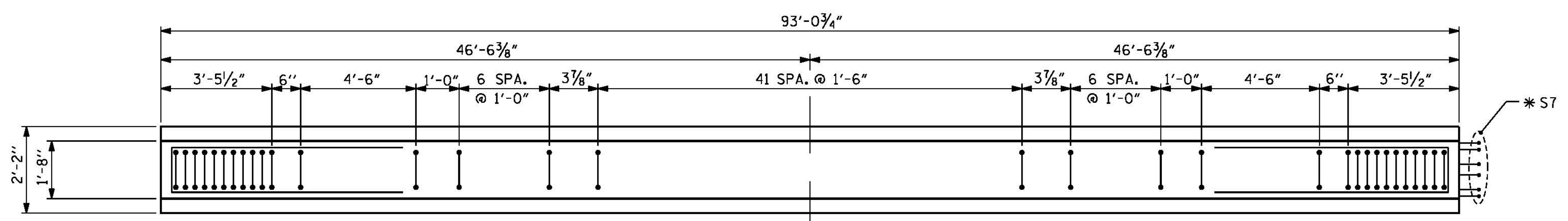
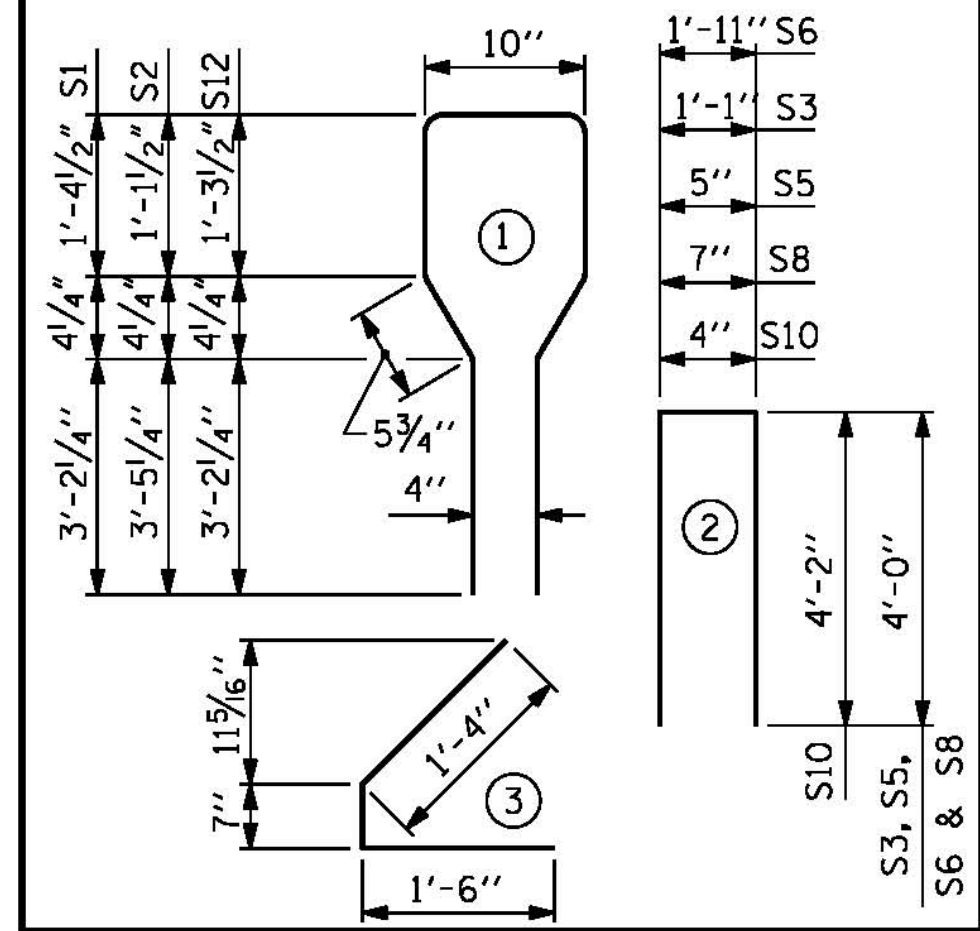
0.6" Ø L. R. GRADE 270 STRANDS		
AREA (SQUARE INCHES)	ULTIMATE STRENGTH (LBS. PER STRAND)	APPLIED PRESTRESS (LBS. PER STRAND)
0.217	58,600	43,950

REINFORCING STEEL FOR ONE GIRDER					
BAR	NUMBER	SIZE	TYPE	LENGTH	WEIGHT
S1	20	#4	1	10'-11"	146
S2	28	#4	1	10'-11"	459
S3	4	#4	2	9'-1"	24
S4	96	#4	3	3'-5"	219
S5	6	#4	2	8'-5"	34
S6	1	#4	2	9'-11"	7
* S7	6	#5	STR	3'-8"	23
S8	4	#4	2	8'-7"	23
S9	1	#3	STR	1'-10"	1
S10	2	#5	2	8'-8"	18
S11	5	#4	STR	7'-0"	23
S12	56	#4	1	10'-9"	402

* NOTE: S7 BARS SHALL BE BENT BEFORE SHIPMENT. HEAT BENDING SHALL NOT BE ALLOWED.

BAR TYPES

ALL BAR DIMENSIONS ARE OUT-TO-OUT



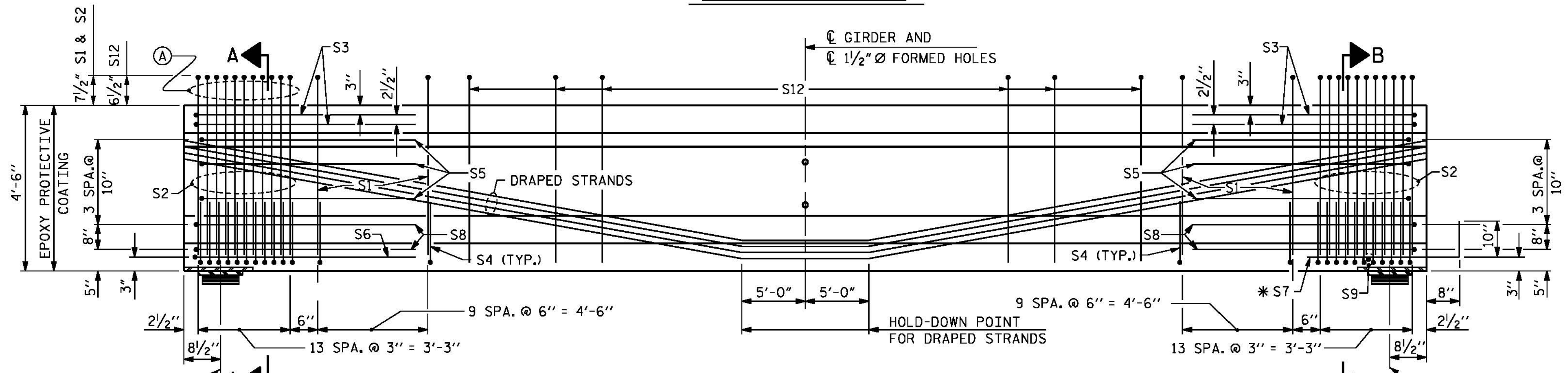
- DEBONDING LEGEND**
- FULLY BONDED STRANDS
 - ◻ STRANDS DEBONDED FOR 2'-0" FROM END OF GIRDER
 - ◼ STRANDS DEBONDED FOR 4'-0" FROM END OF GIRDER

QUANTITIES FOR ONE GIRDER

REINFORCING STEEL	9500 PSI CONCRETE	0.6" Ø L. R. STRANDS
LB.	C.Y.	No.
1379	18.89	42

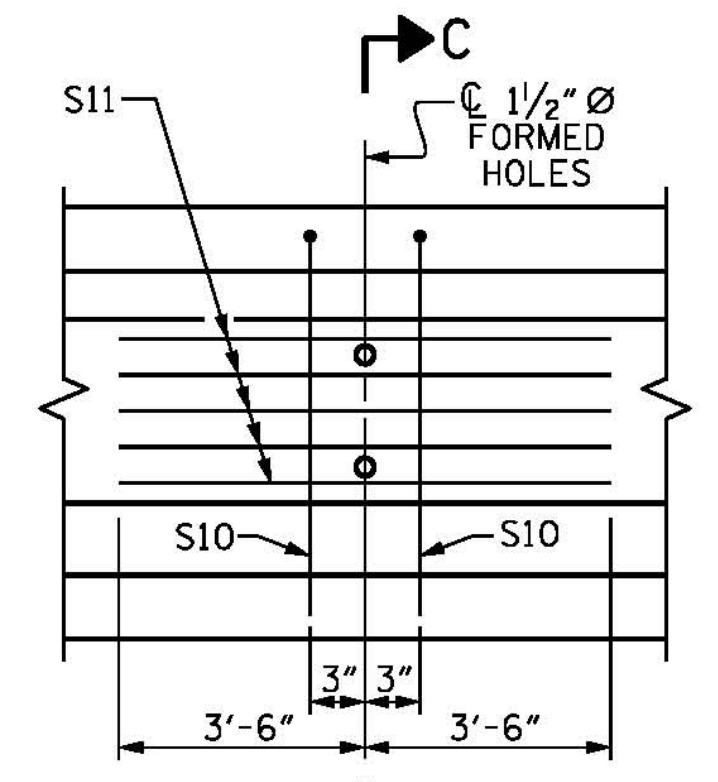
GIRDERS REQUIRED

NUMBER	LENGTH	TOTAL LENGTH
5	93.06'	465.31'



ELEVATION OF GIRDER

(SEE PARTIAL ELEVATION FOR ADDITIONAL "S" BARS)
 THE UPLIFT FORCE DUE TO DRAPED STRANDS IS 27.0 KIPS
 SEE END BEVEL DETAIL ON PRESTRESSED CONCRETE GIRDER CONTINUOUS FOR LIVE LOAD DETAILS SHEET.
 (A) WHEN END BEVEL IS REQUIRED, ROTATE END S2 BAR SUCH THAT THEY ARE PLACED PARALLEL TO THE END BEVEL WHILE MAINTAINING 2" OF CONCRETE COVER. TAPER SPACING OF ADJACENT S2 BARS SUCH THAT THE CLEAR DISTANCE BETWEEN THE BARS EXCEEDS 1/2".



PARTIAL ELEVATION
 SHOWING INTERMEDIATE DIAPHRAGM REINFORCING STEEL FOR GIRDER Nos. A1 TO A5

DESIGNED BY: J. BORUTA	DATE: OCT 2015
DRAWN BY: M. HOBBS	DATE: OCT 2015
CHECKED BY: M. WAGNER	DATE: JAN 2016
DESIGN ENGINEER OF RECORD: J. DOUGHTY	DATE: MAY 2016
DRAWN BY: ELR 8/91	REV. 5/1/06R TLA/GM
CHECKED BY: GRP 8/91	REV. 10/1/11 MAA/GM
	REV. 1/15 MAA/TMG

PARSONS BRINCKERHOFF
 434 FAYETTEVILLE STREET
 SUITE 1500
 RALEIGH, NC 27601
 LICENSE NO. F-0165

Professional Engineer Seal for Jason R. Doughty, License No. 032967, State of North Carolina.

STATE OF NORTH CAROLINA
 DEPARTMENT OF TRANSPORTATION
 RALEIGH
 STANDARD
 AASHTO TYPE IV
 PRESTRESSED CONCRETE GIRDER
 CONTINUOUS FOR LIVE LOAD
 SPAN A

REVISIONS					
NO.	BY:	DATE:	NO.	BY:	DATE:
1			3		
2			4		

SHEET NO.	S-72
TOTAL SHEETS	278

DOCUMENT NOT CONSIDERED FINAL UNLESS ALL SIGNATURES COMPLETED