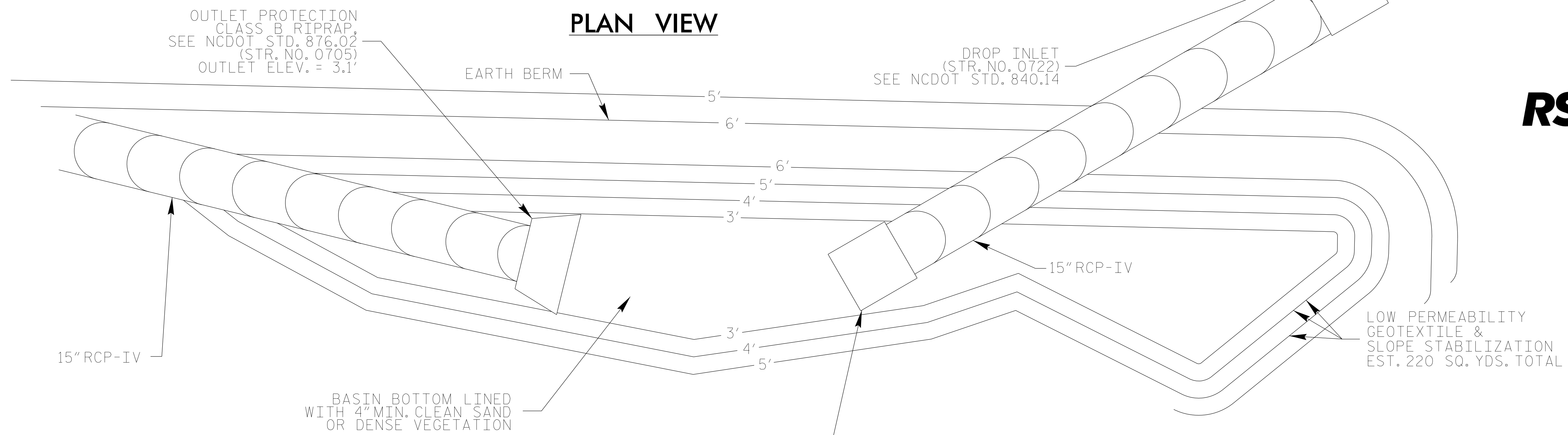


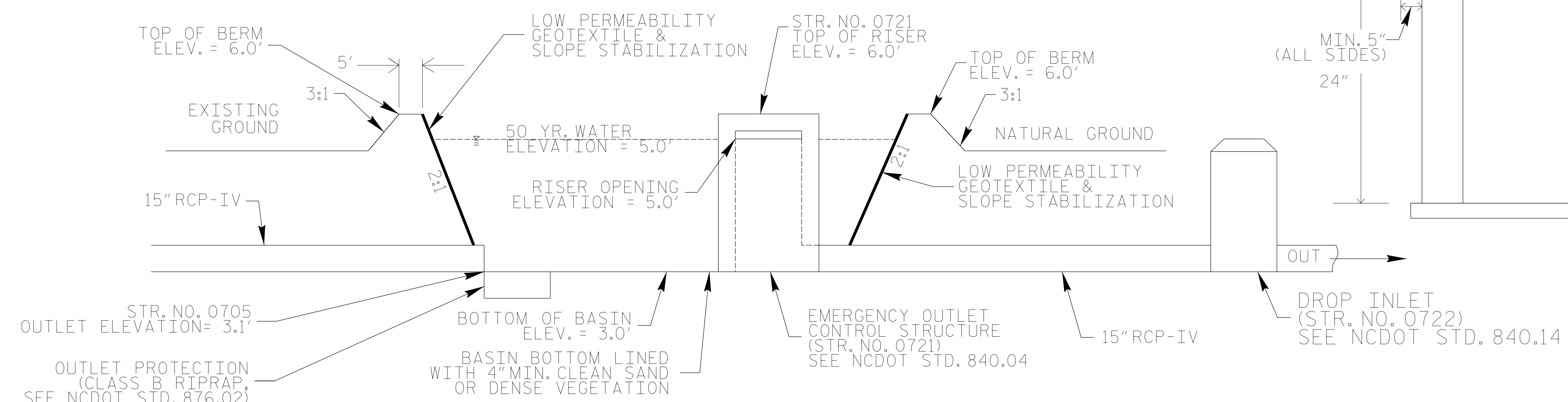
**RS&H**

# INFILTRATION BASIN NO. 3 DETAIL

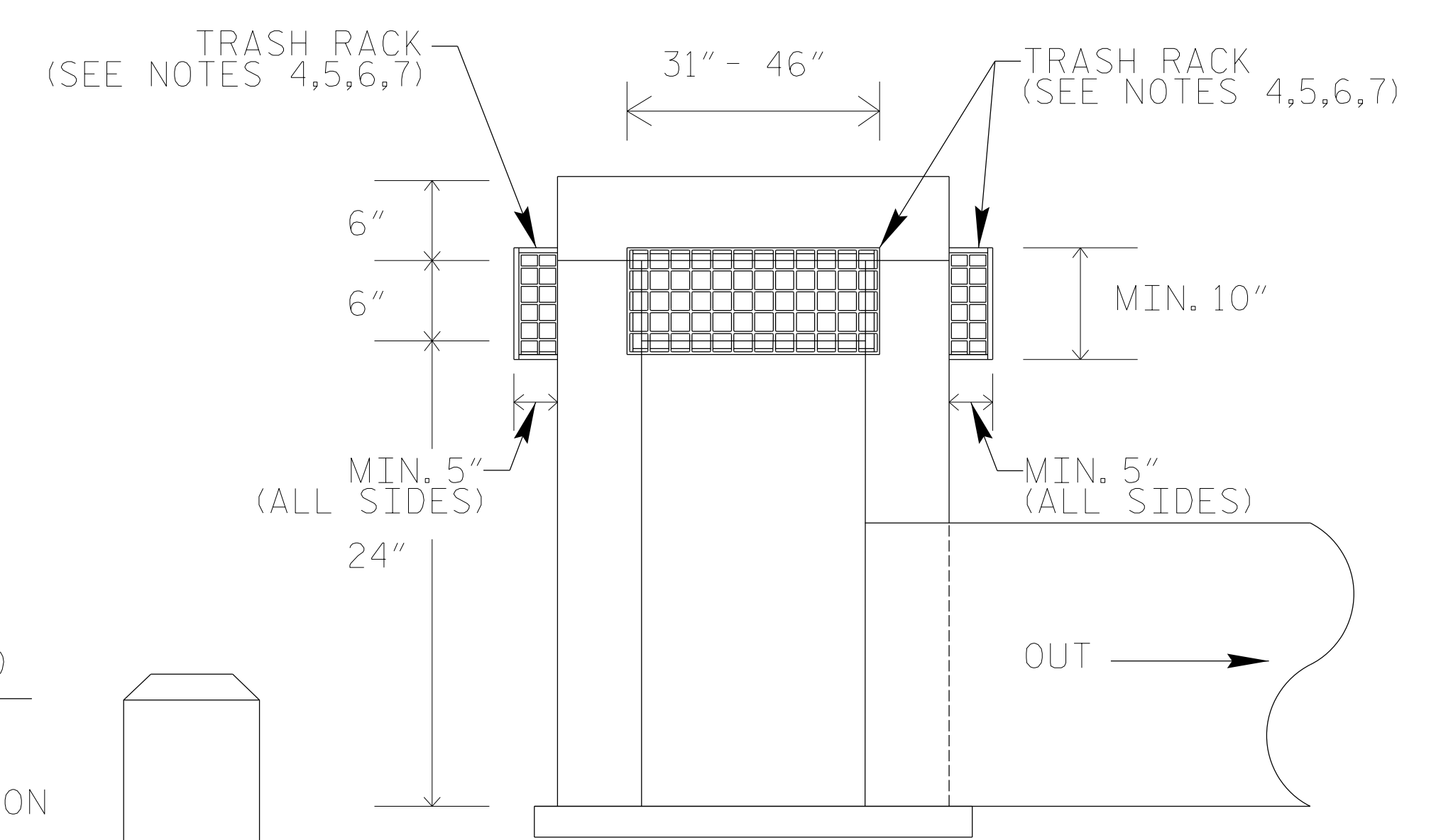


EXCAVATION (CY)	190
EARTH BERM (CY)	55
SAND (CY)	17
GEOTEXTILE (SY)	220

## PROFILE VIEW (TYPICAL SECTION)



## EMERGENCY OUTLET STRUCTURE



**NOTES**

- DO NOT EXCAVATE WITHIN ONE FOOT OF SEASONAL HIGH WATER TABLE.
- LIMIT EARTH BERM HEIGHT TO 3.0 FT.
- AVOID COMPACTING BOTTOM OF BASIN.
- FABRICATE TRASH RACKS WITH #4 REBAR OR INSTALL SUITABLE PREFABRICATED UV-STABILIZED REINFORCED HDPE FLAT RACK GRATES.
- REBAR SHALL BE HOT-DIPPED GALVANIZED STEEL CONFORMING TO ASTM A767 OR EPOXY-COATED STEEL CONFORMING TO ASTM A775, A934.
- REBAR SPACING SHALL BE NO LESS THAN 2" AND NO MORE THAN 5.5" WHILE MAINTAINING A SQUARE OPENING BETWEEN BARS.
- PAYMENT OF TRASH RACKS IS INCIDENTAL TO STR. 0721.

FOR PLAN VIEW, SEE SHEET 7.

NOT TO SCALE