

STATE OF NORTH CAROLINA
DEPT. OF TRANSPORTATION
DIVISION OF HIGHWAYS
RALEIGH, N.C.

06-14

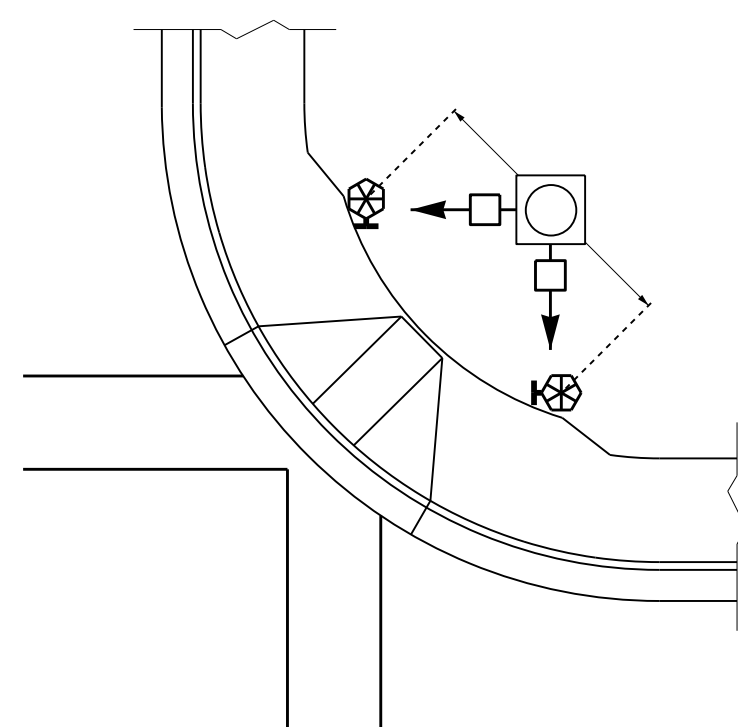
ENGLISH DETAIL DRAWING FOR
PEDESTRIAN PUSHBUTTON LOCATIONS
PLACEMENT DETAIL

SHEET 3 OF 3

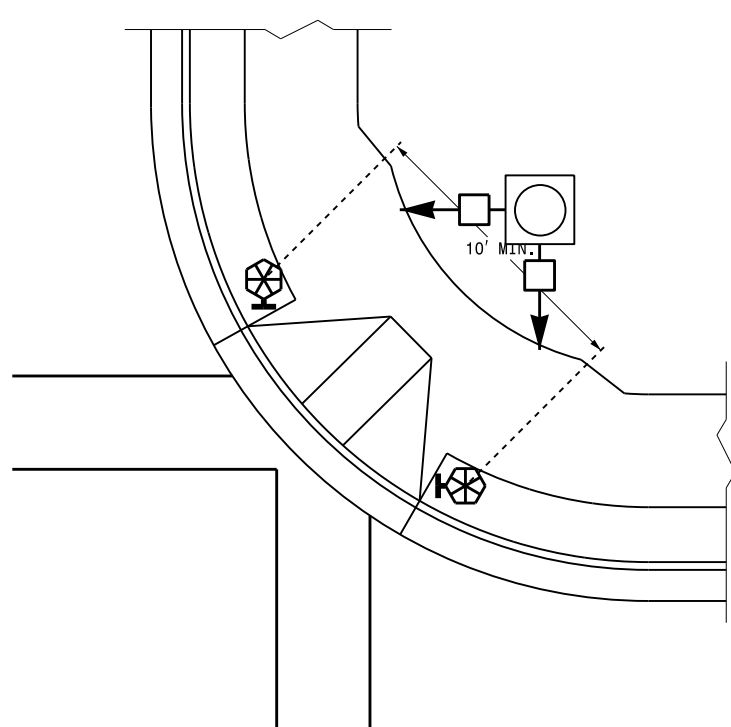
1705D01

TYPICAL PUSHBUTTON LOCATIONS (CASE III)

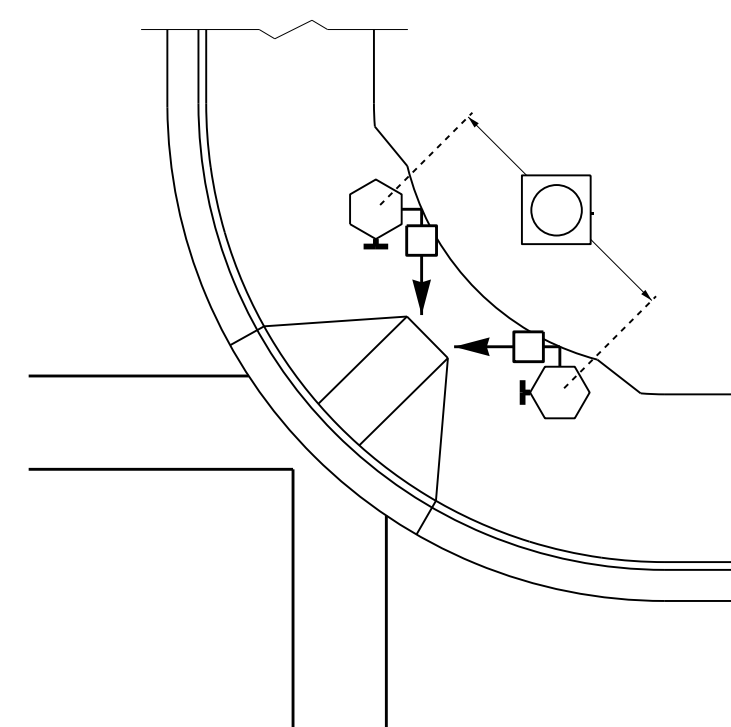
SHARED CURB RAMPS



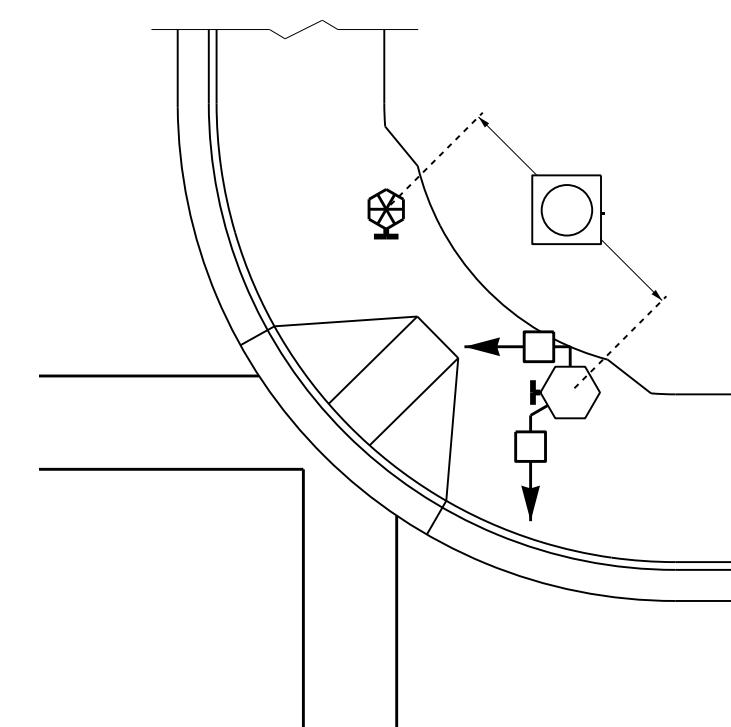
BACK OF SIDEWALK IS WITHIN 10' OF CURB OR PAVEMENT/SHOULDER



GRASS STRIP PLACEMENT IF BACK OF SIDEWALK EXCEEDS 10' FROM CURB OR PAVEMENT/SHOULDER

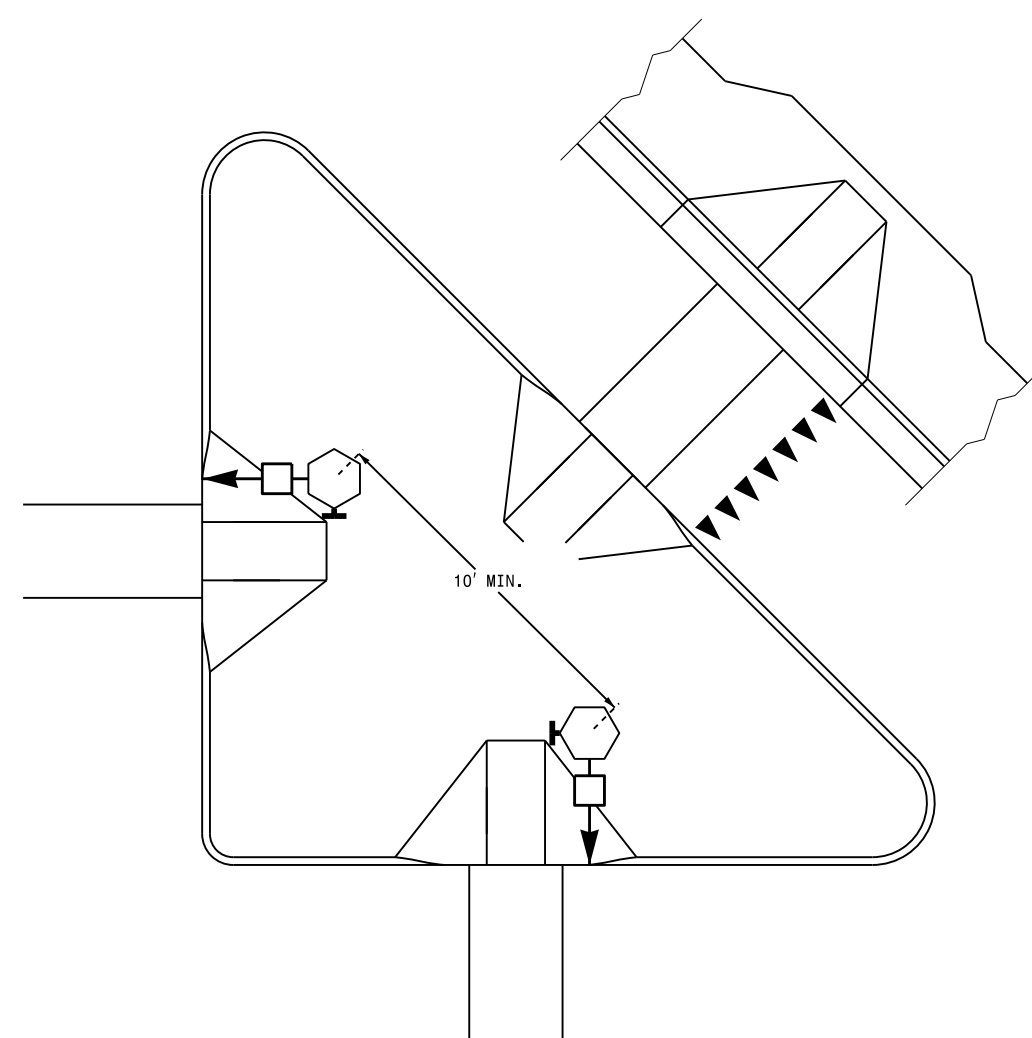


PUSHBUTTON PLACEMENT IN WIDE SIDEWALK (CORRESPONDING PUSHBUTTONS AND SIGNAL HEADS ON DIFFERENT PEDESTALS)

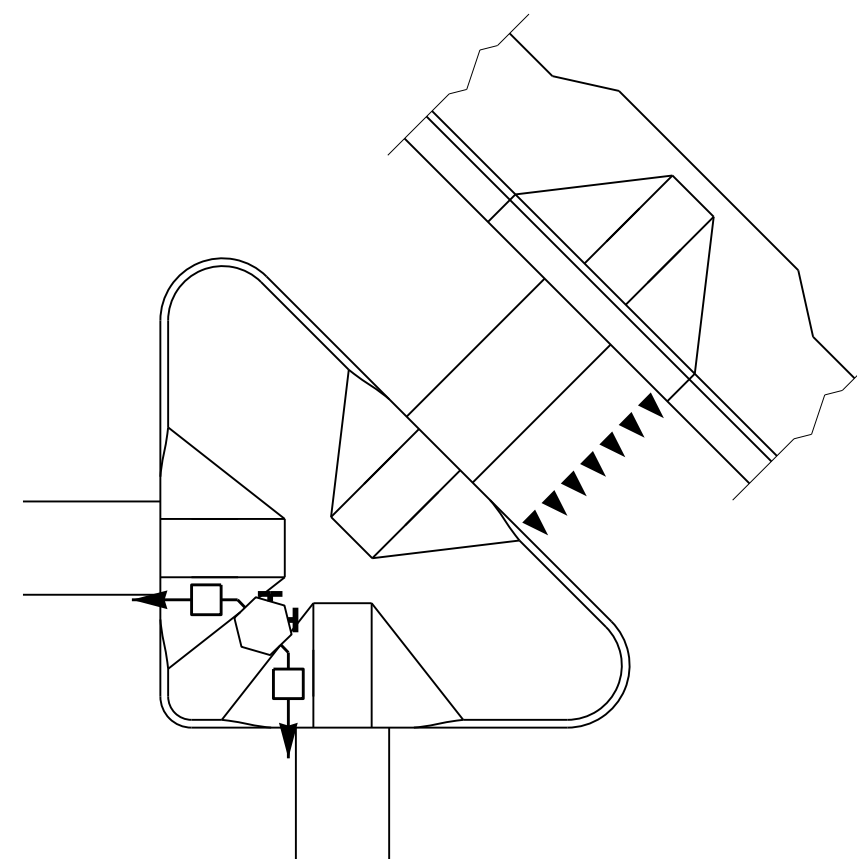


PUSHBUTTON PLACEMENT WITH SHARED TYPE II SIGNAL PEDESTAL AND TYPE I PUSHBUTTON POST

TRAFFIC ISLAND PUSHBUTTON LOCATIONS



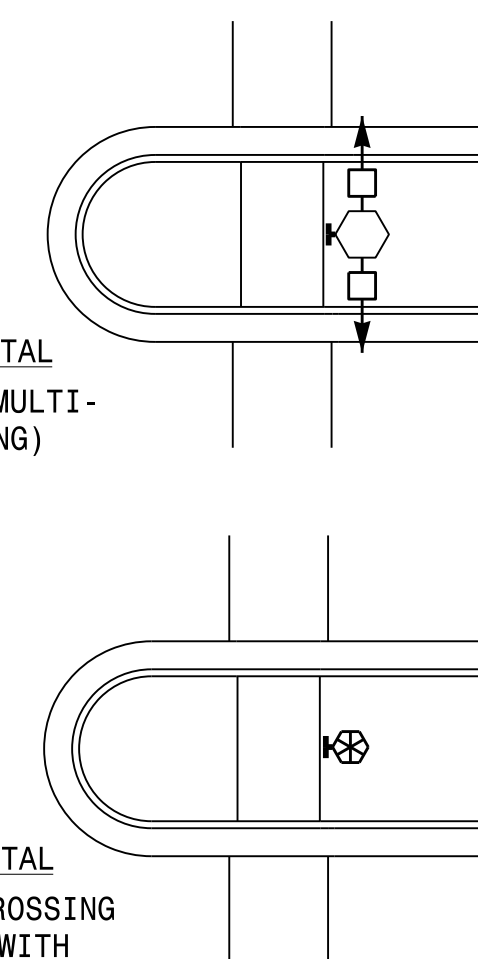
PUSHBUTTON PLACEMENT IN LARGE "PORK CHOP ISLAND" WITH SEPARATE PEDESTALS



PUSHBUTTON PLACEMENT IN SMALL "PORK CHOP ISLAND" WITH SHARED PEDESTAL

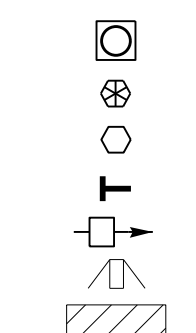
PUSHBUTTON PLACEMENT IN MEDIAN

TYPE II PEDESTAL (FOR STAGED OR MULTI-PHASE CROSSING)



TYPE I PEDESTAL (FOR COMPLETE CROSSING CURB TO CURB WITH OPTIONAL REFUGE)

PROPOSED



LEGEND

- Signal Pole
- Type I Pushbutton Post
- Type II Signal Pedestal
- Pushbutton & Sign
- Pedestrian Signal Head
- Curb Ramp
- Pushbutton Location Area

STATE OF NORTH CAROLINA
DEPT. OF TRANSPORTATION
DIVISION OF HIGHWAYS
RALEIGH, N.C.

06-14

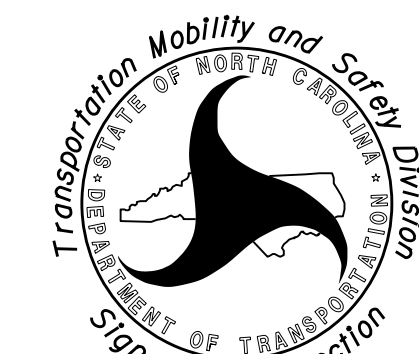
ENGLISH DETAIL DRAWING FOR
PEDESTRIAN PUSHBUTTON LOCATIONS
PLACEMENT DETAIL

SHEET 3 OF 3

1705D01

See Plate for Title

Prepared in the Offices of:



750 N. Greenfield Parkway
Garner, NC 27529

SEAL



DocuSigned by:
Robert J. Ziemba

6/17/2014

SIGNATURE DATE