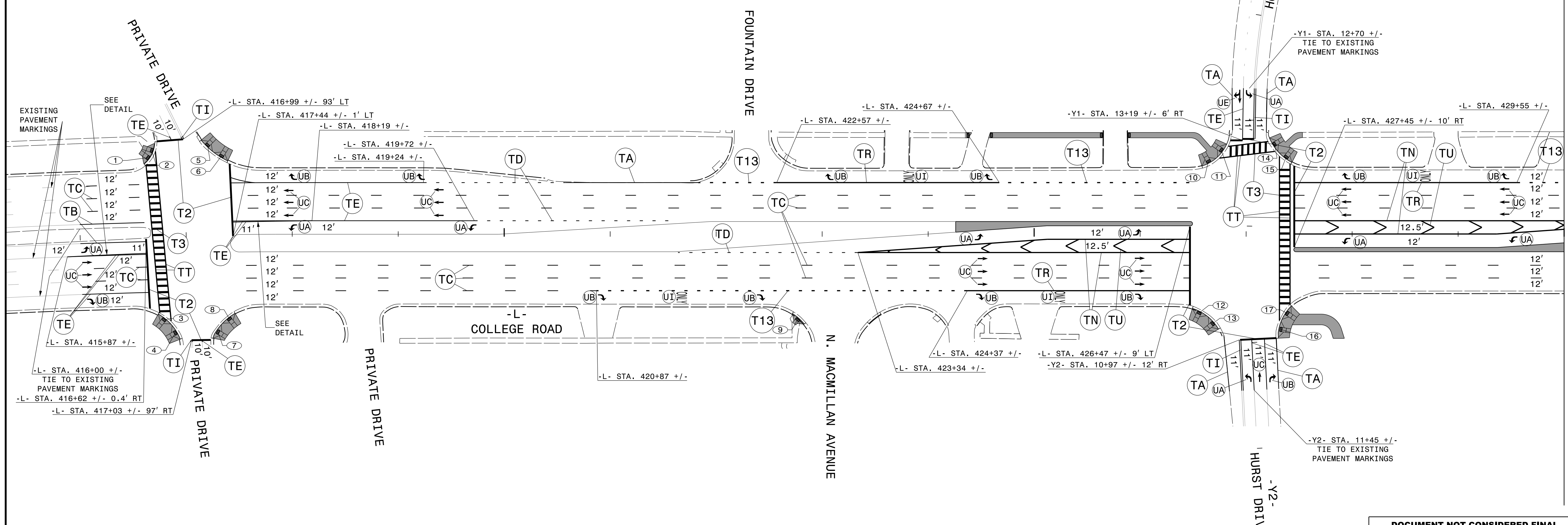
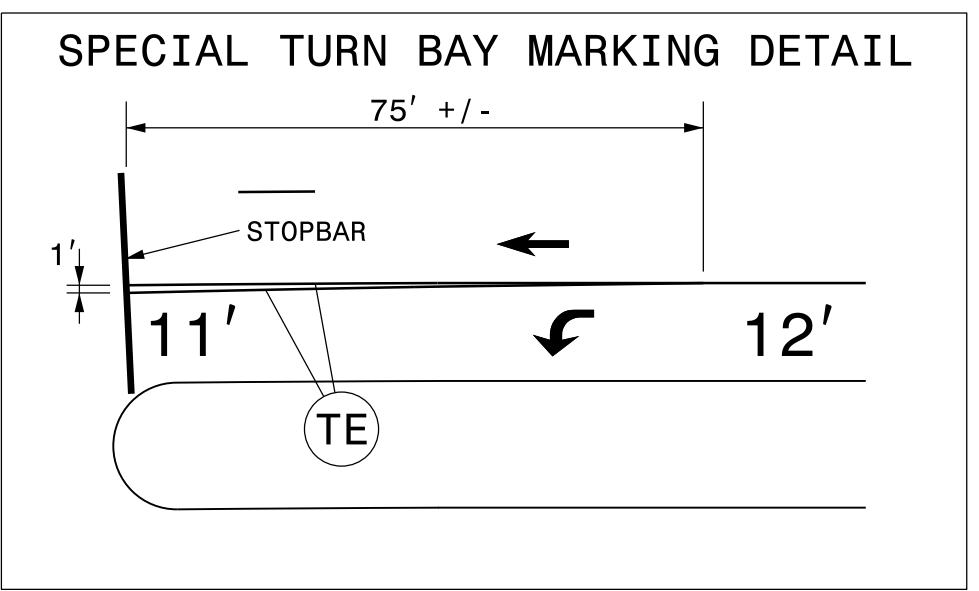


- CURB RAMP LOCATIONS:**
- ① -L- 416+66 +/- 76' LT
 - ② -L- 416+69 +/- 83' LT
 - ③ -L- 416+77 +/- 77' RT
 - ④ -L- 416+88 +/- 90' RT
 - ⑤ -L- 417+21 +/- 87' LT
 - ⑥ -L- 417+34 +/- 77' LT
 - ⑦ -L- 417+29 +/- 90' RT
 - ⑧ -L- 417+40 +/- 77' RT
 - ⑨ -L- 422+77 +/- 78' RT
 - ⑩ -L- 426+64 +/- 71' LT
 - ⑪ -L- 426+77 +/- 82' LT
 - ⑫ -L- 426+56 +/- 72' RT
 - ⑬ -L- 426+68 +/- 82' RT
 - ⑭ -L- 427+27 +/- 87' LT
 - ⑮ -L- 427+38 +/- 75' LT
 - ⑯ -L- 427+33 +/- 88' RT
 - ⑰ -L- 427+39 +/- 72' RT

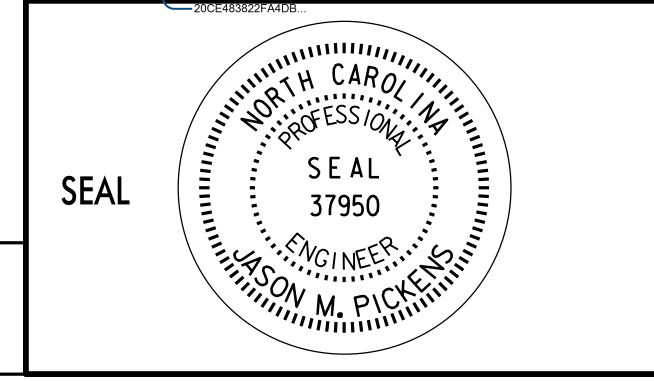


MATCH LINE -L- STA 430 + 00 SEE SHEET PMP-3

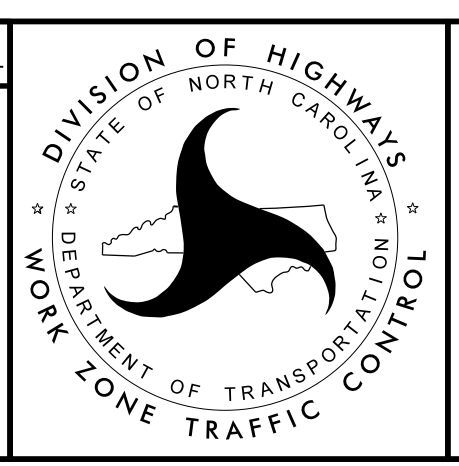
25-MAY-2016 13:26 J:\W-5203AA\T\Office\VPMP\W-5203AA_PMP_02.dgn \$\$\$USERNAME\$\$\$

DOCUMENT NOT CONSIDERED FINAL UNLESS ALL SIGNATURES COMPLETED

APPROVED: *Jason M. Pickens* DATE: 6/9/2016



PLANS PREPARED BY:
PARSONS
5540 CENTERVIEW DR., SUITE 207
RALEIGH, NORTH CAROLINA 27606
NC LICENSE NO. F 0246
FOR NORTH CAROLINA DEPT. OF TRANSPORTATION



FINAL PAVEMENT MARKING PLANS