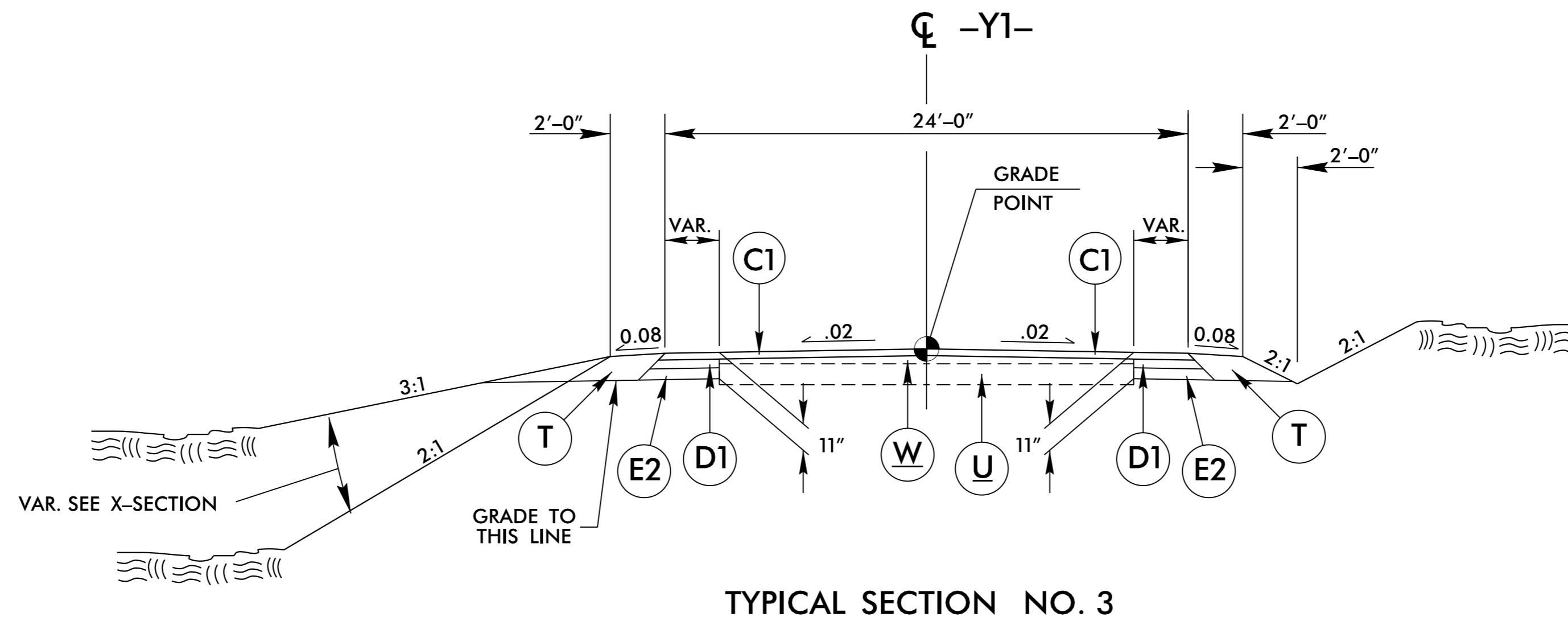
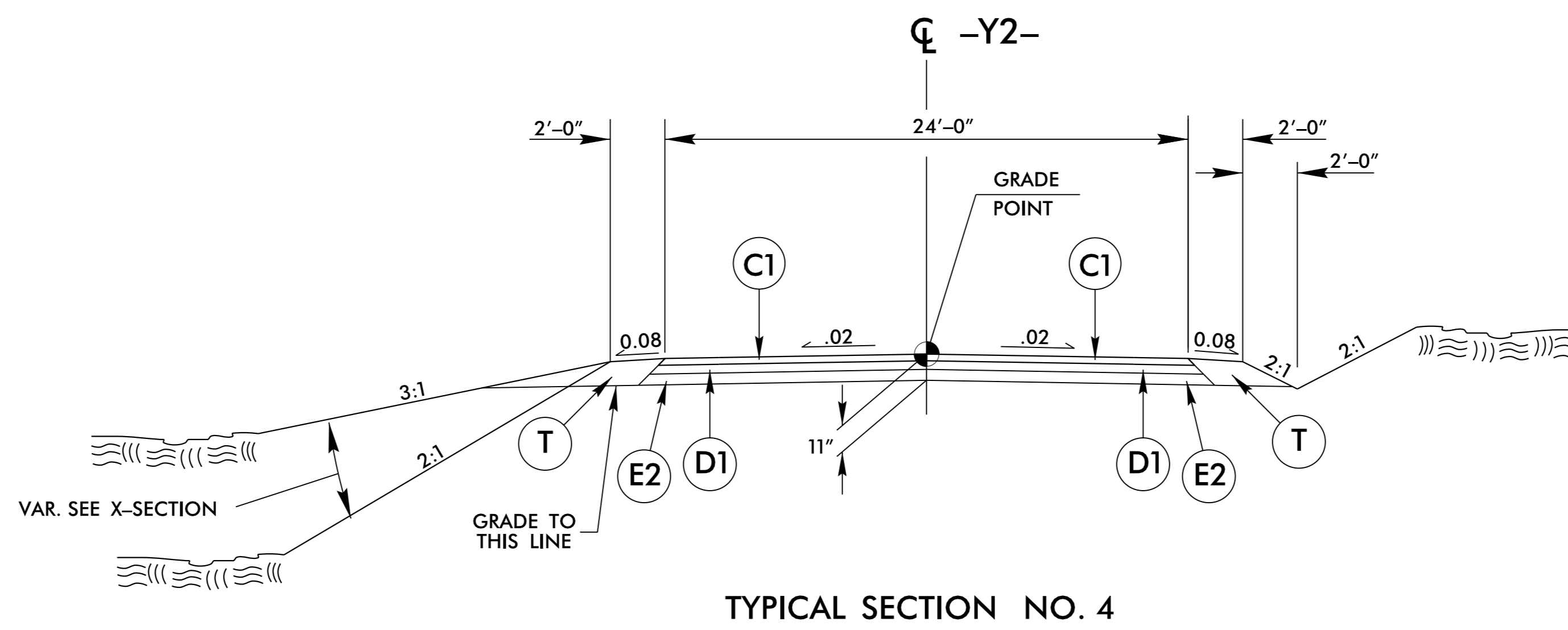


PROJECT REFERENCE NO. B-5142		SHEET NO. 2A-03	
ROADWAY DESIGN ENGINEER SEAL 022896 Bryan C. Key		PAVEMENT DESIGN ENGINEER SEAL 022896 Clark Morrison	
11/3/2015		11/3/2015	
DOCUMENT NOT CONSIDERED FINAL UNLESS ALL SIGNATURES COMPLETED			
CI	3" S9.5B		
DI	4" I19.0B		
E2	4" B25.0B		
T	EARTH MATERIAL		
U	EXISTING PAVEMENT		
W	WEDGING		



USE TYPICAL SECTION NO. 3 AT
THE FOLLOWING LOCATION
-Y1- STA. 11+00.00 TO STA. 11+63.56



USE TYPICAL SECTION NO. 4 AT
THE FOLLOWING LOCATION
-Y2- STA. 10+12.00 TO STA. 11+00.00