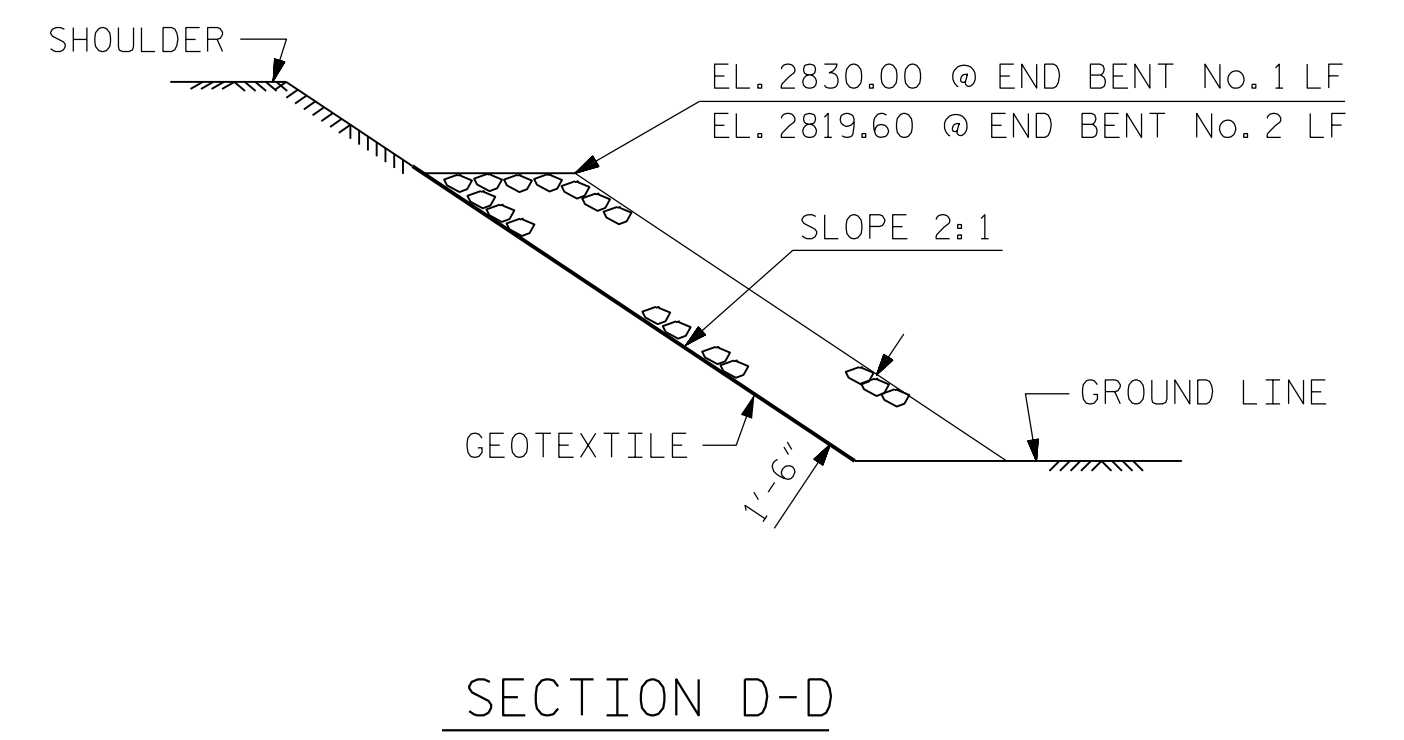
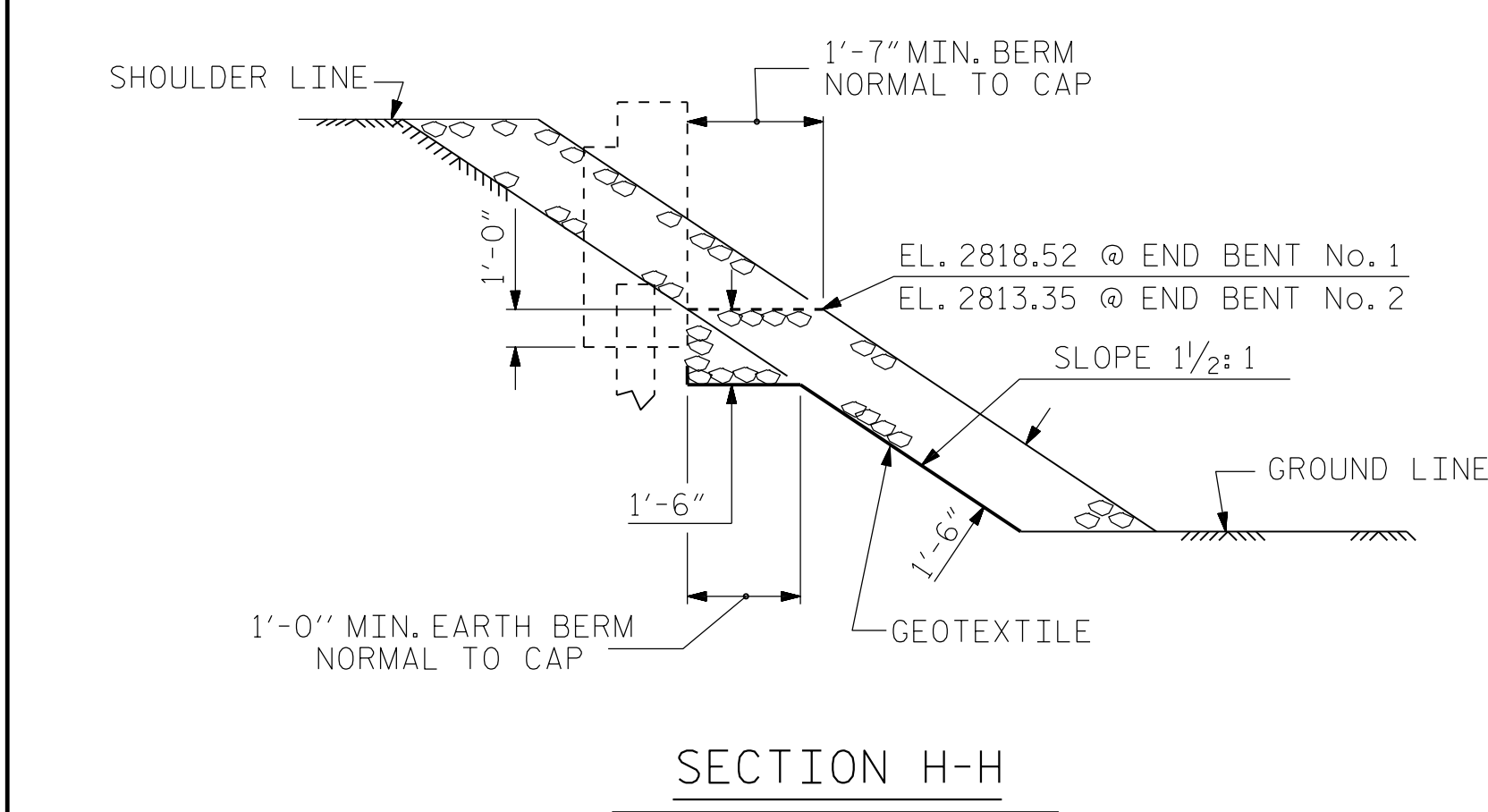


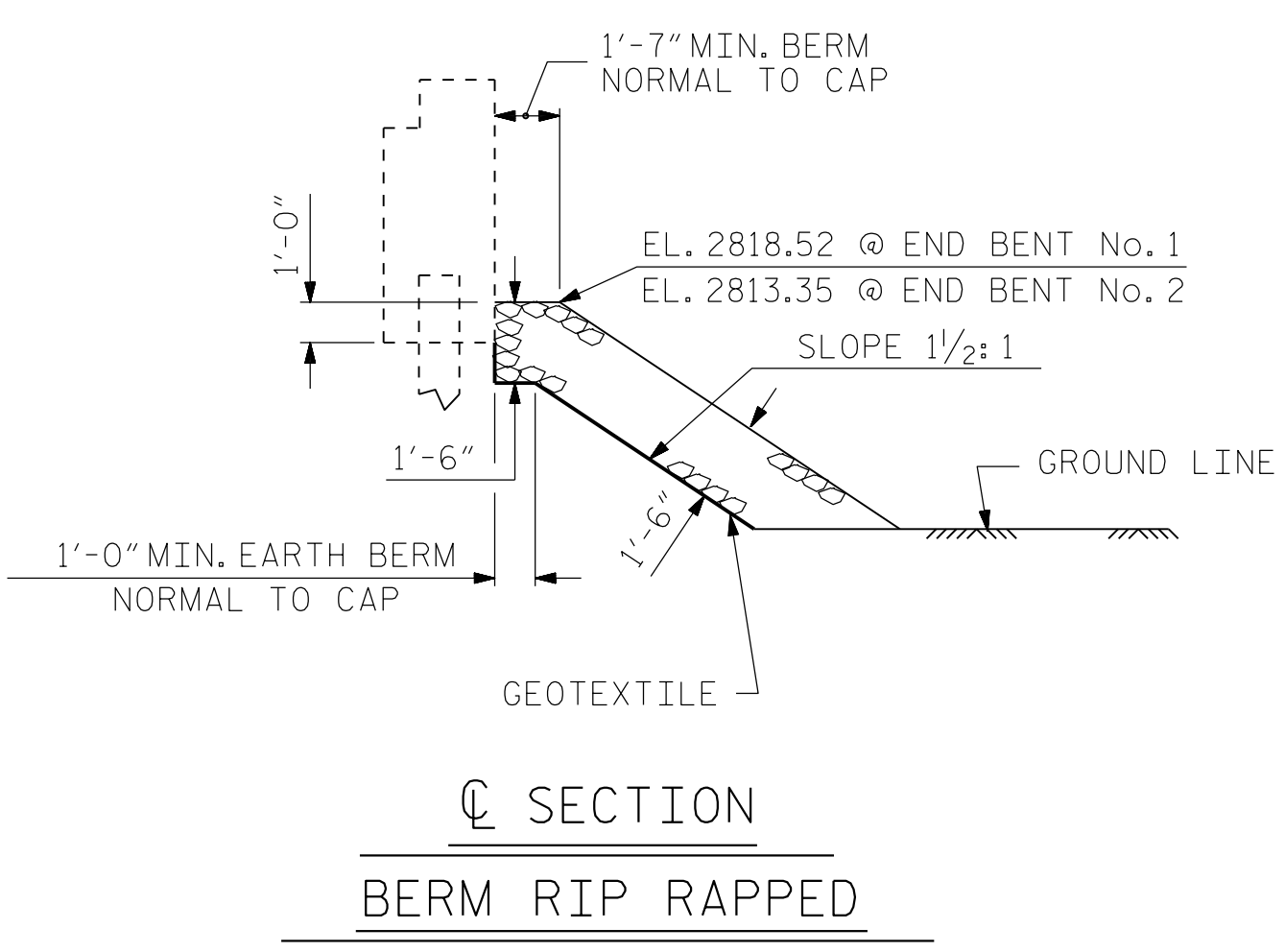
ESTIMATED QUANTITIES		
BRIDGE @ STA. 36+45.00-L-	RIP RAP CLASS I (1'-6" THICK)	GEOTEXTILE FOR DRAINAGE
	TONS	SQUARE YARDS
END BENT 1	280	310
END BENT 2	200	220
TOTAL	480	530



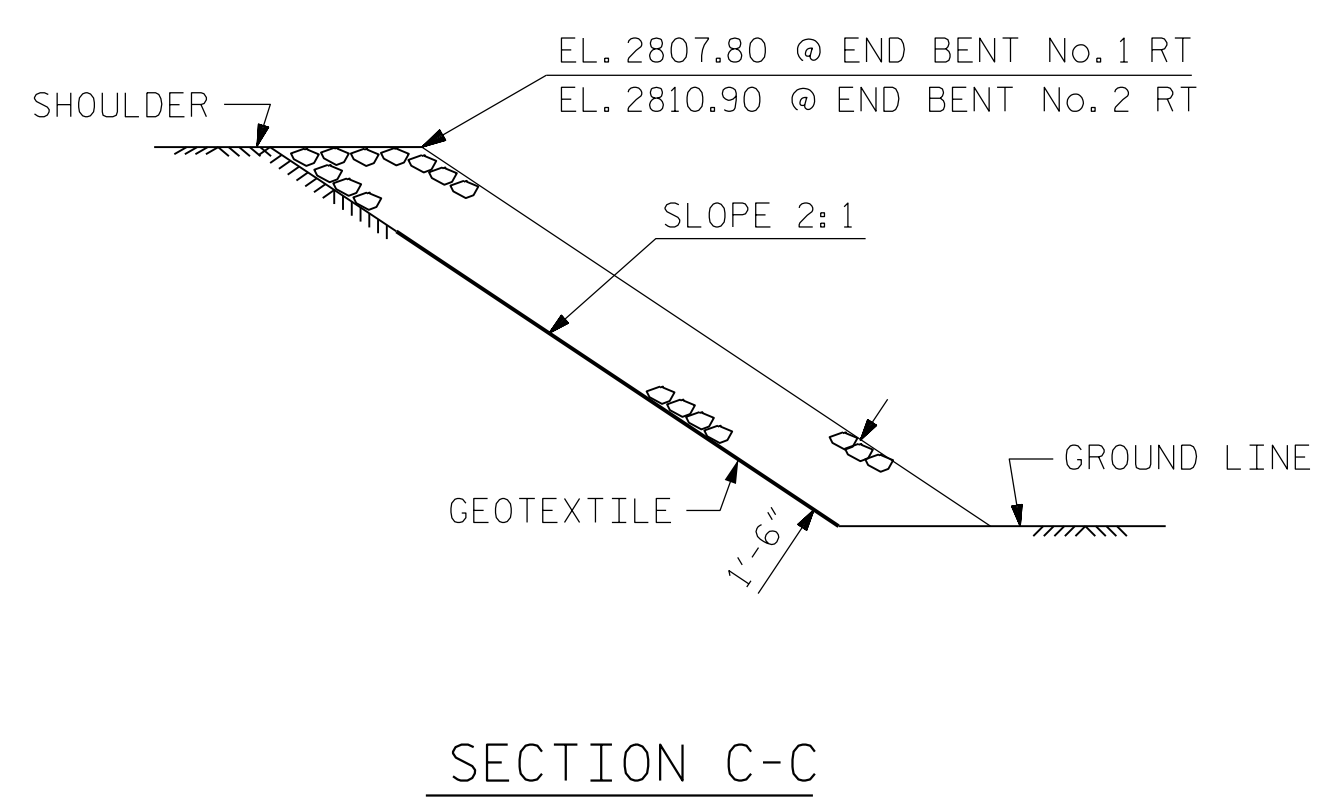
PLAN



SECTION H-H

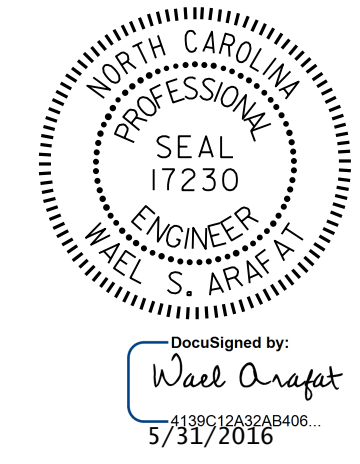


SECTION C-C  
BERM RIP RAPPED



SECTION C-C

PROJECT NO. R-4060  
ALLEGHANY COUNTY  
 STATION: 36+45.00 -L-



STATE OF NORTH CAROLINA  
 DEPARTMENT OF TRANSPORTATION  
 RALEIGH

== RIP RAP DETAILS ==

DRAWN BY : H. T. BARBOUR DATE : 11-09-15  
 CHECKED BY : V. X. NGUYEN DATE : 3-16

DOCUMENT NOT CONSIDERED  
 FINAL UNLESS ALL  
 SIGNATURES COMPLETED

REVISIONS						SHEET NO. S-24
NO.	BY:	DATE:	NO.	BY:	DATE:	
1			3			TOTAL SHEETS 26
2			4			