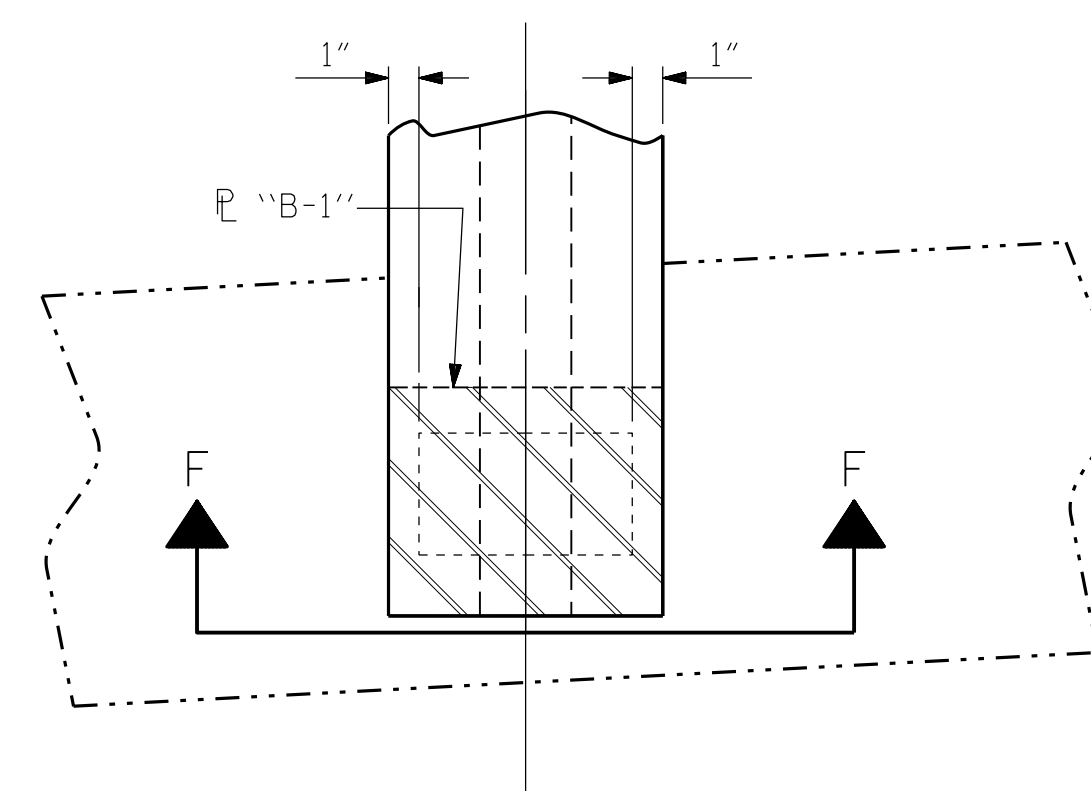
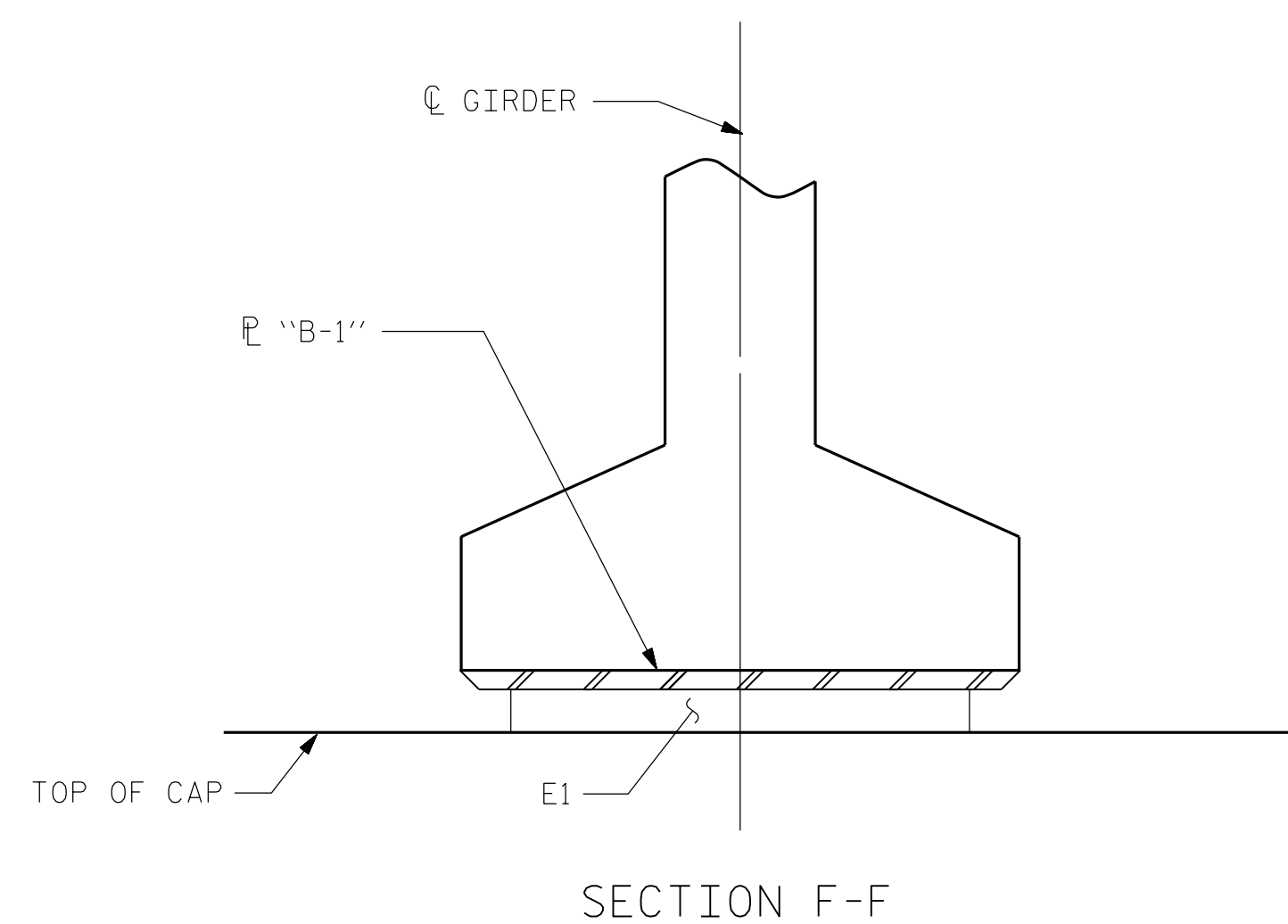


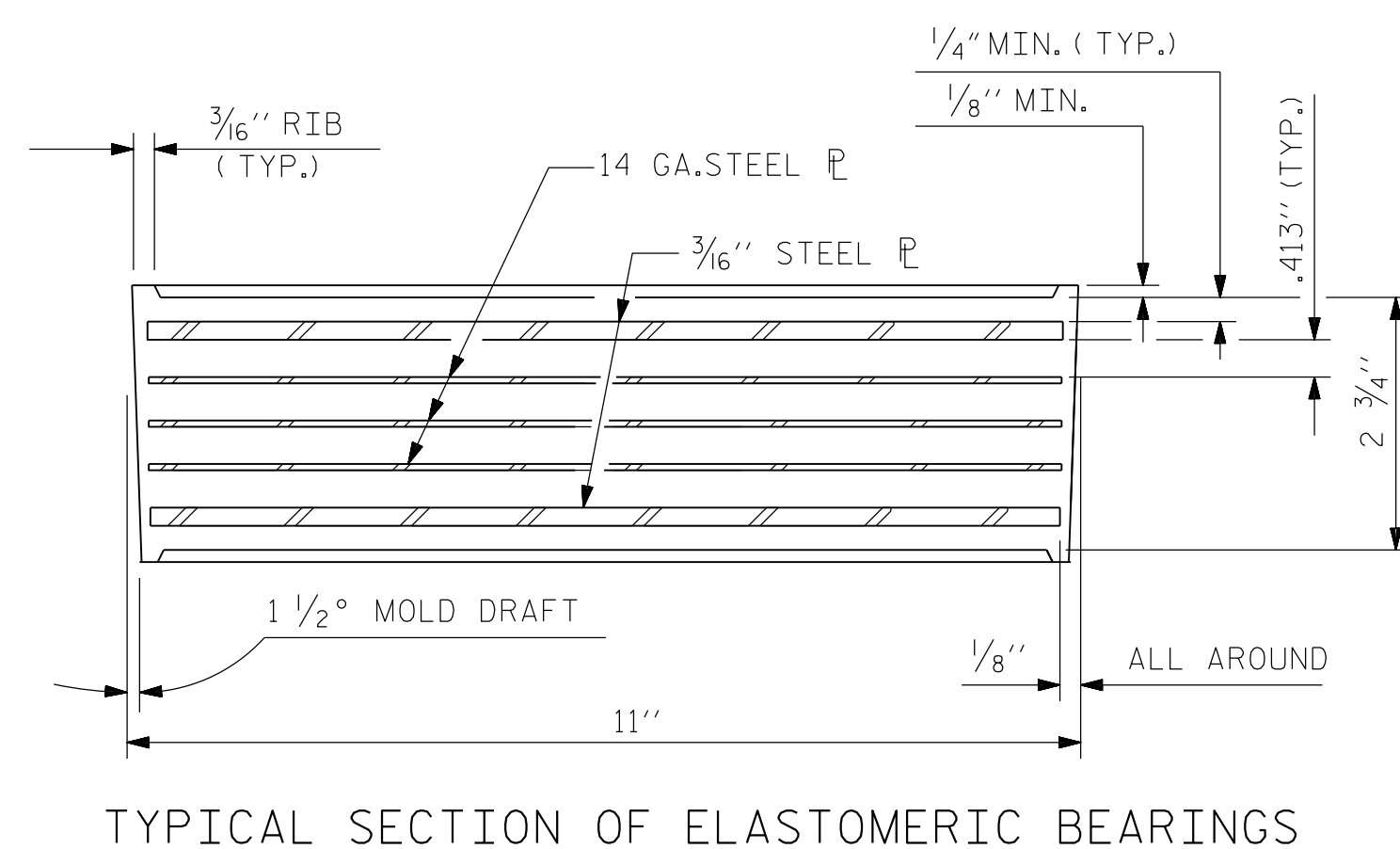
NOTES

THE ELASTOMER IN THE STEEL REINFORCED BEARINGS SHALL HAVE A SHEAR MODULUS OF 0.160 KSI, IN ACCORDANCE WITH AASHTO M251.

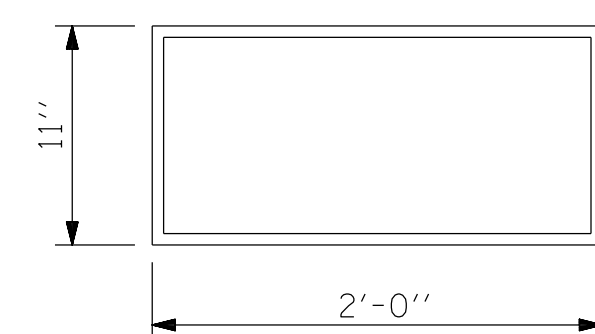
FOR STEEL REINFORCED ELASTOMERIC BEARINGS, SEE SPECIAL PROVISIONS.



TYPICAL PLAN
(SHOWING INTEGRAL END BENT)



TYPICAL SECTION OF ELASTOMERIC BEARINGS

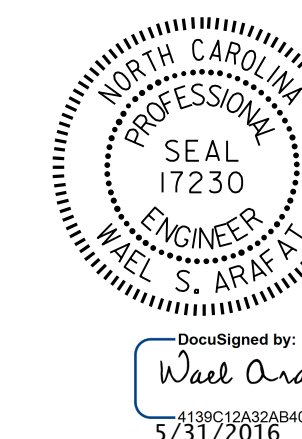


E1 (8 REQ'D)
PLAN VIEW OF ELASTOMERIC BEARING

TYPE VII

— LOAD RATINGS —	
	MAX.D.L.+ L.L.
TYPE VII	470 K

PROJECT NO. R-4060
ALLEGHANY COUNTY
 STATION: 36+45.00 -L-



STATE OF NORTH CAROLINA
 DEPARTMENT OF TRANSPORTATION
 RALEIGH
 STANDARD
 ELASTOMERIC BEARING
 DETAILS
 PRESTRESSED CONCRETE GIRDER
 SUPERSTRUCTURE

REVISIONS						SHEET NO.
NO.	BY:	DATE:	NO.	BY:	DATE:	S-14
1			3			TOTAL SHEETS
2			4			26

DOCUMENT NOT CONSIDERED
 FINAL UNLESS ALL
 SIGNATURES COMPLETED

ASSEMBLED BY :	H. T. BARBOUR	DATE :	11-20-14
CHECKED BY :	V. X. NGUYEN	DATE :	11-15
DRAWN BY :	EEM 2/97	REV. 10/1/11	MAA/GM
CHECKED BY :	VAP 2/97	REV. 6/13	AAC/MAA
		REV. 1/15	MAA/TMG