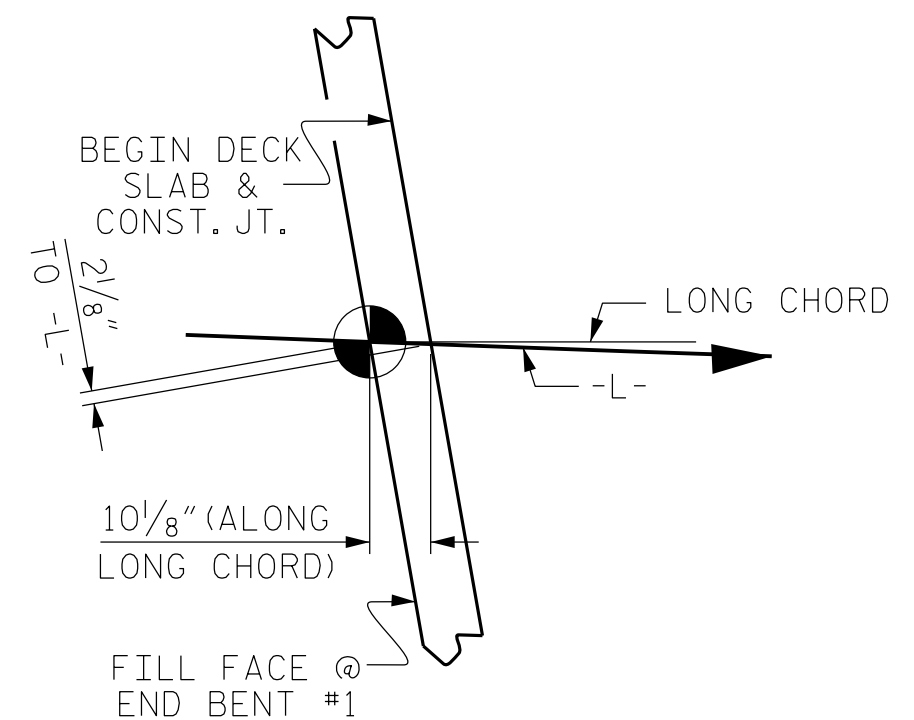


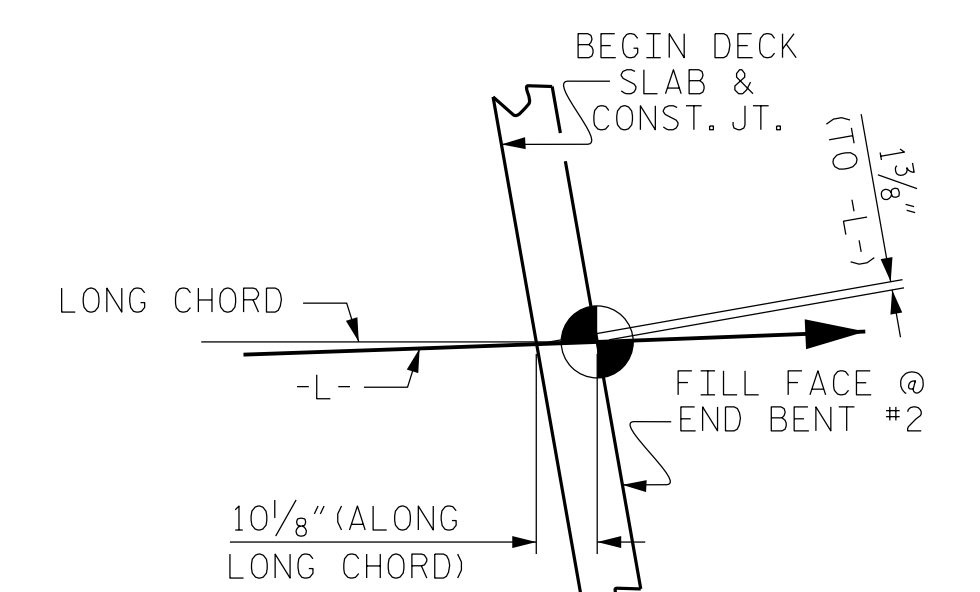
PLAN OF SPAN

FOR REINFORCING STEEL IN ABUTMENTS, SEE "PLAN OF SPAN DETAILS" SHEET.

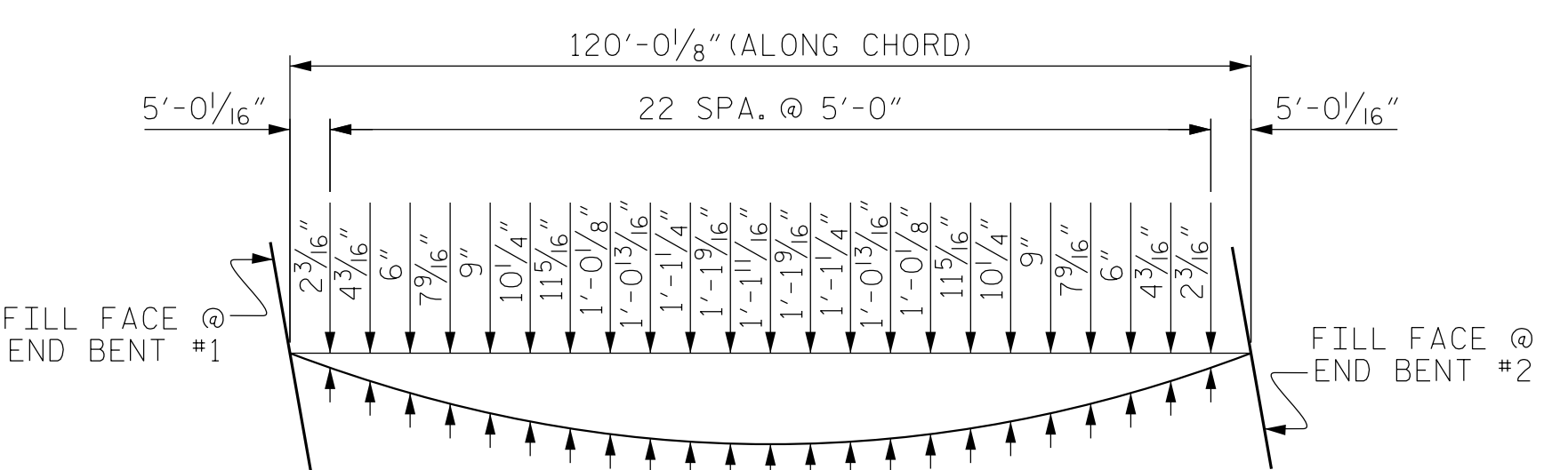
* DIMENSIONS ARE TO CIRCLES CONCENTRIC WITH -L- GIRDERS ARE ON THE CHORDS OF THESE CONCENTRIC CIRCLES.



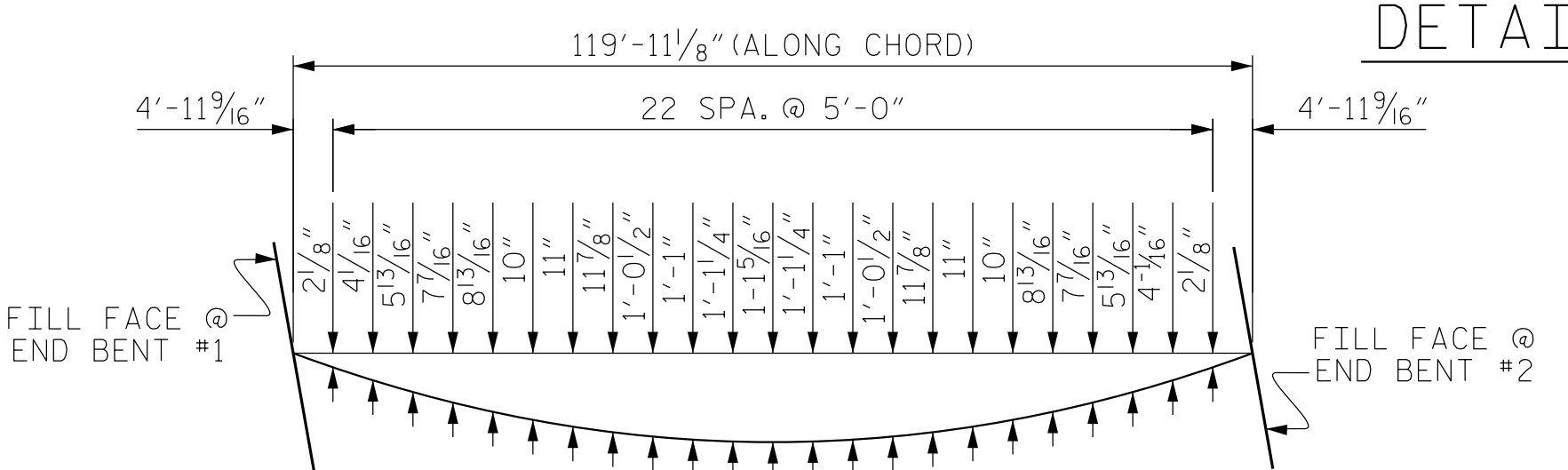
DETAIL A



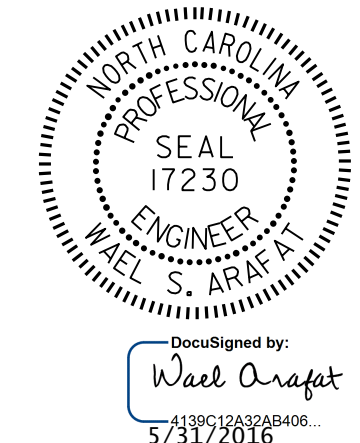
DETAIL B



LEFT SIDE



RIGHT SIDE



PROJECT NO. R-4060
ALLEGHANY COUNTY
 STATION: 36+45.00 -L-

SHEET 1 OF 2

STATE OF NORTH CAROLINA
 DEPARTMENT OF TRANSPORTATION
 RALEIGH

**SUPERSTRUCTURE
 PLAN OF SPAN A**

DRAWN BY: H. T. BARBOUR DATE: 11-9-15
 CHECKED BY: V. X. NGUYEN DATE: 11-15
 DESIGN ENGINEER OF RECORD: S. I. CHAMPION DATE: 12-20-15

DOCUMENT NOT CONSIDERED
 FINAL UNLESS ALL
 SIGNATURES COMPLETED

| REVISIONS | | | | | | SHEET NO. |
|-----------|-----|-------|-----|-----|-------|--------------|
| NO. | BY: | DATE: | NO. | BY: | DATE: | S-8 |
| 1 | | | 3 | | | TOTAL SHEETS |
| 2 | | | 4 | | | 26 |