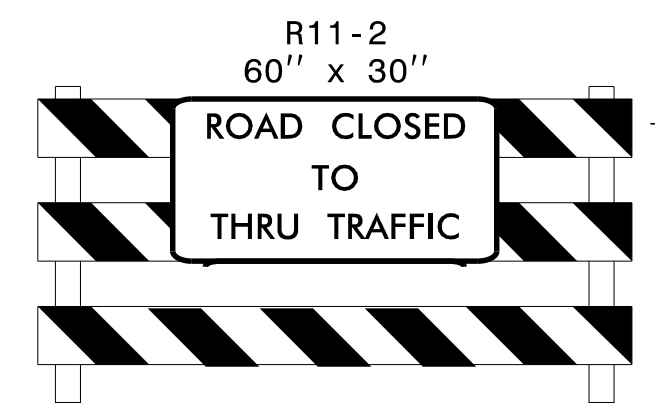
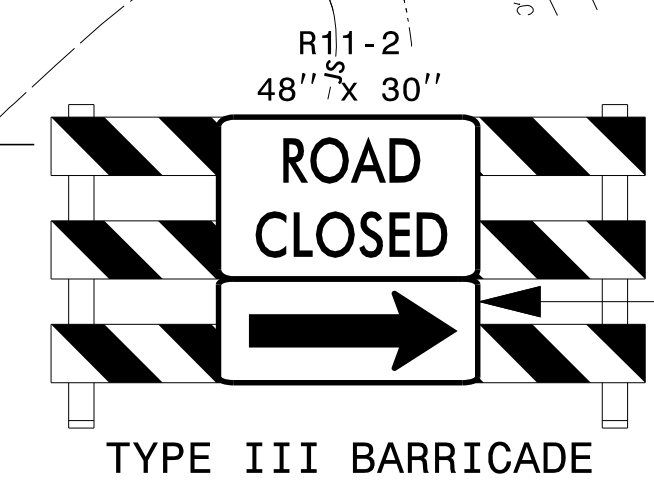


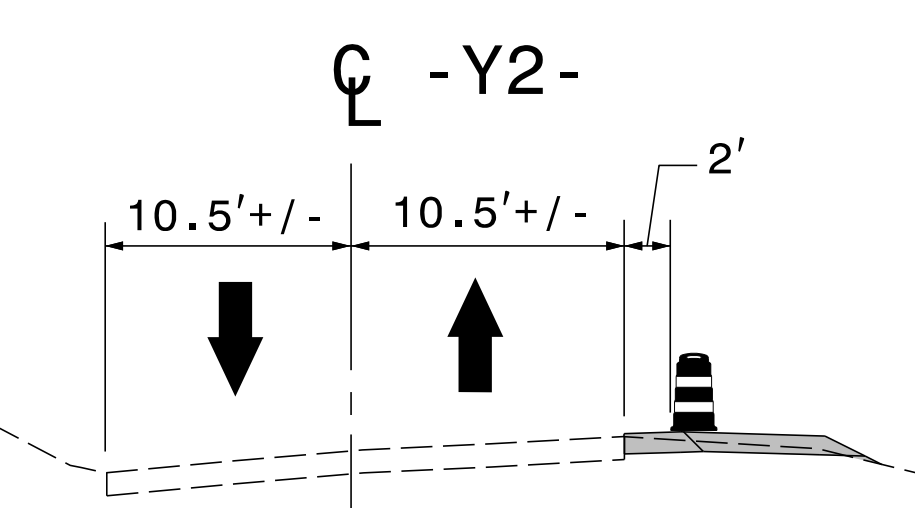
SECTION A-A



TYPE III BARRICADE(S)
 (NOTE: PLACE ANOTHER SET OF BARRICADES & SIGN SIMILARLY ON BALL PARK RD AT GRANDVIEW DR)



TYPE III BARRICADE

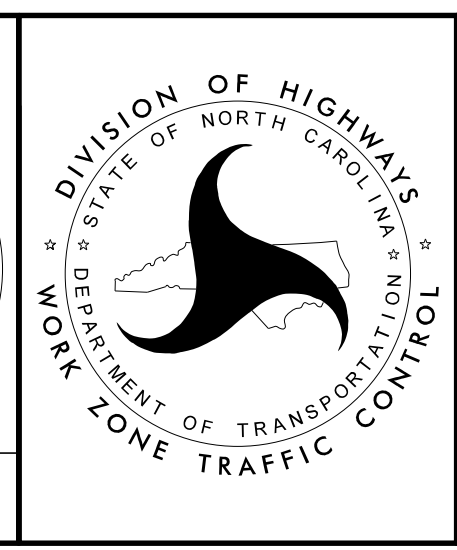


SECTION B-B

APPROVED: *[Signature]*
 DATE: 6/3/2016

PROFESSIONAL SEAL
 019862
 ENGINEER
 W. WOOLARD

DOCUMENT NOT CONSIDERED FINAL UNLESS ALL SIGNATURES COMPLETED



PHASE I DETAILS

5/27/2016
 O:\Division\N4060\TrafficControl\TCP\N4060_TC_TMP-6_DETAIL.dgn
 User: kbroodwell