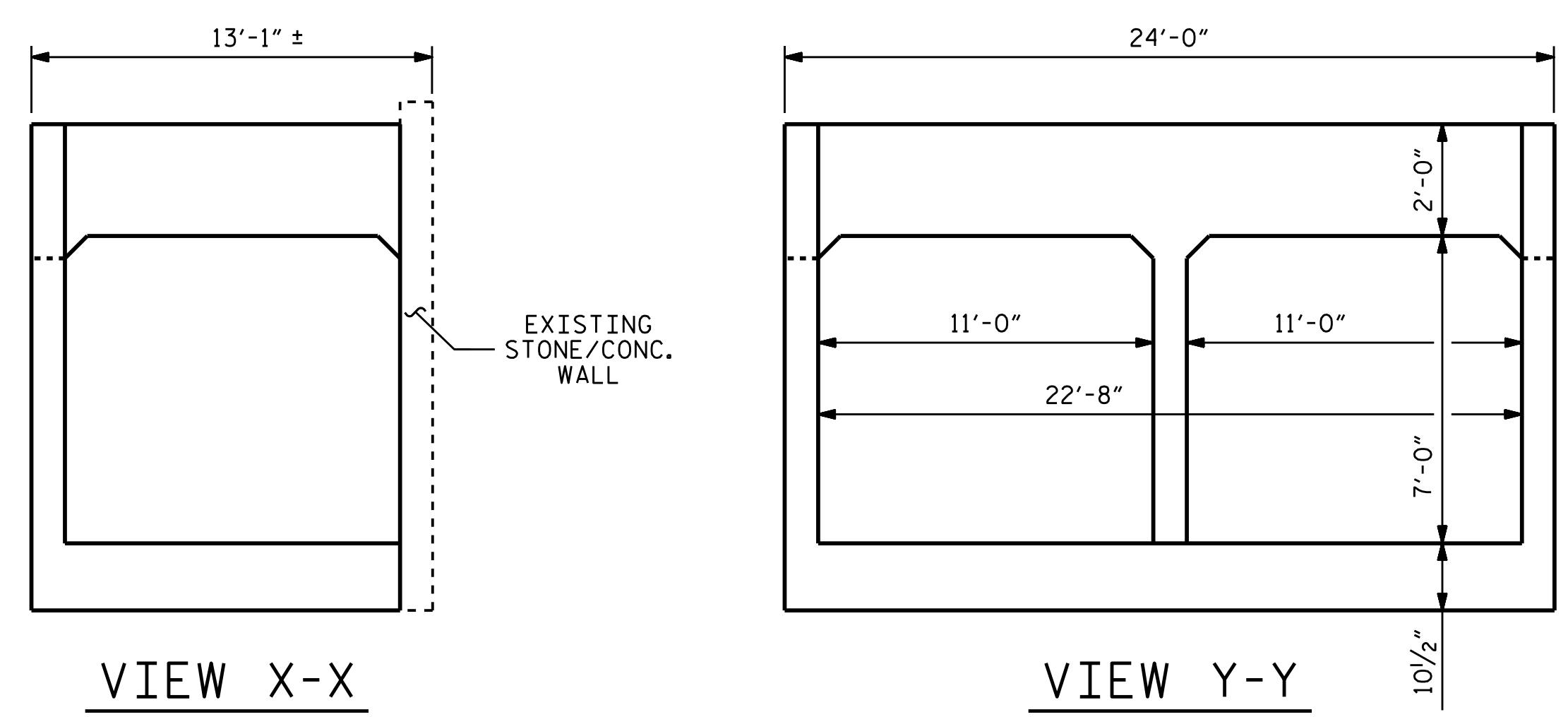
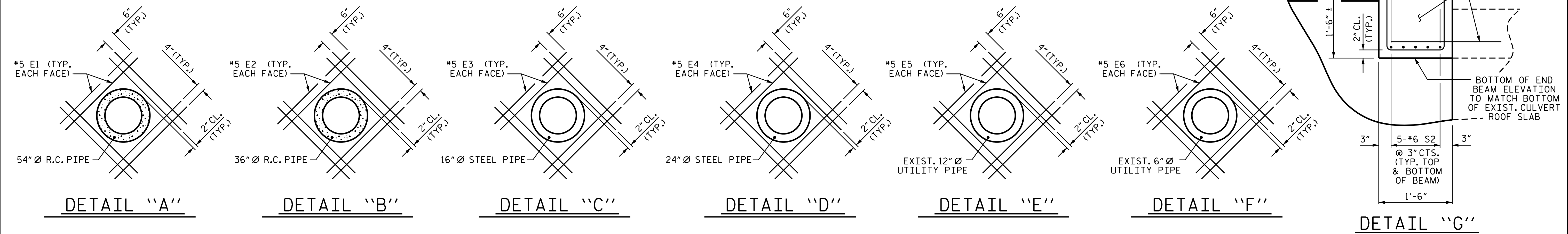
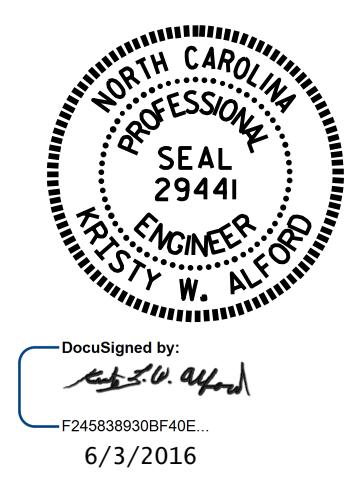


CULVERT SECTION NORMAL TO ROADWAY
 PIPES THROUGH WALLS OF CULVERT NOT SHOWN FOR CLARITY. SEE SHEETS 5 THROUGH 8 OF 10.



I HEREBY CERTIFY THESE PLANS
 ARE THE AS-BUILT PLANS



PROJECT NO. B-5121/B-5317
WAKE COUNTY
 STATION: 15+13.11 -Y1-

SHEET 3 OF 10
 DEPARTMENT OF TRANSPORTATION
 RALEIGH
**DOUBLE 11 FT. X 7 FT.
 CONCRETE BOX CULVERT**

DRAWN BY: William F. Parker DATE: 08/15
 CHECKED BY: I.L. AVERETTE DATE: 11/2015
 DESIGN ENGINEER OF RECORD: I.L. AVERETTE DATE: 12/2015

REVISIONS						SHEET NO.
NO.	BY:	DATE:	NO.	BY:	DATE:	C-3
1			3			TOTAL SHEETS
2			4			10