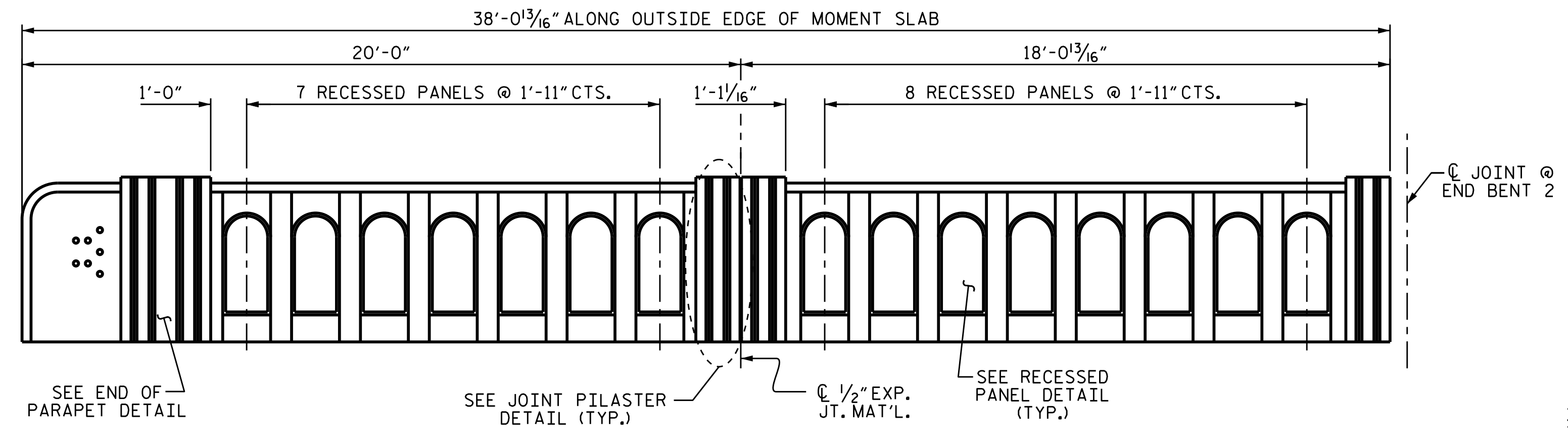
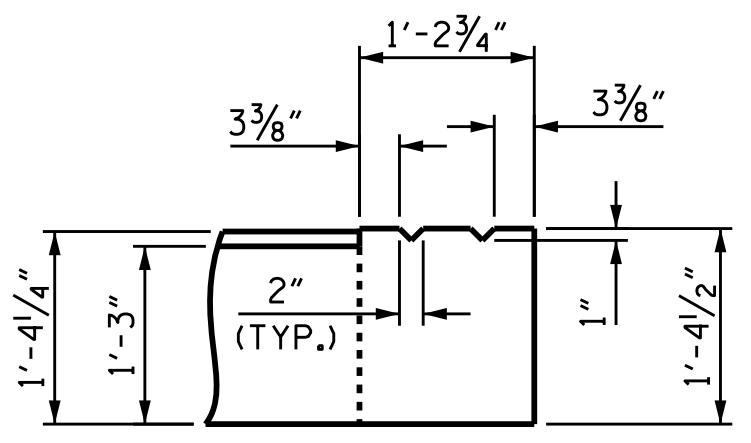


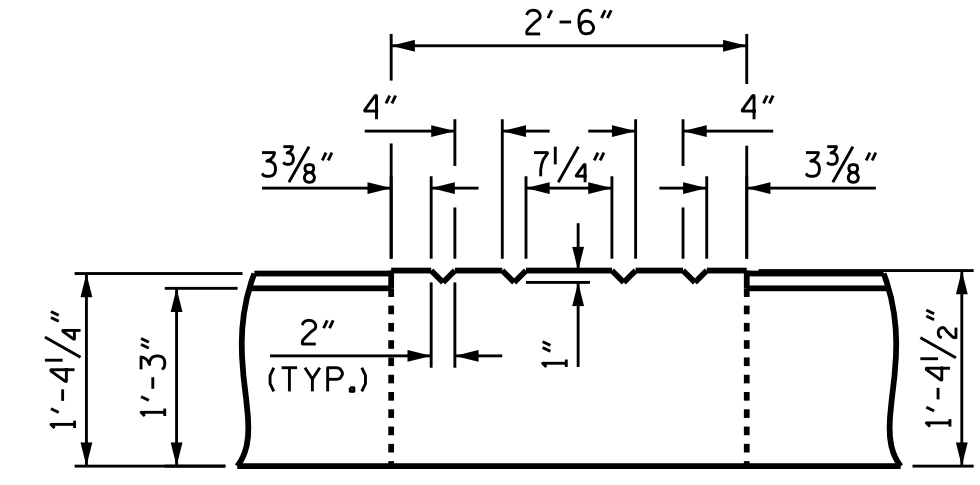
CONCRETE PARAPET ON MOMENT SLAB @ END BENT 1



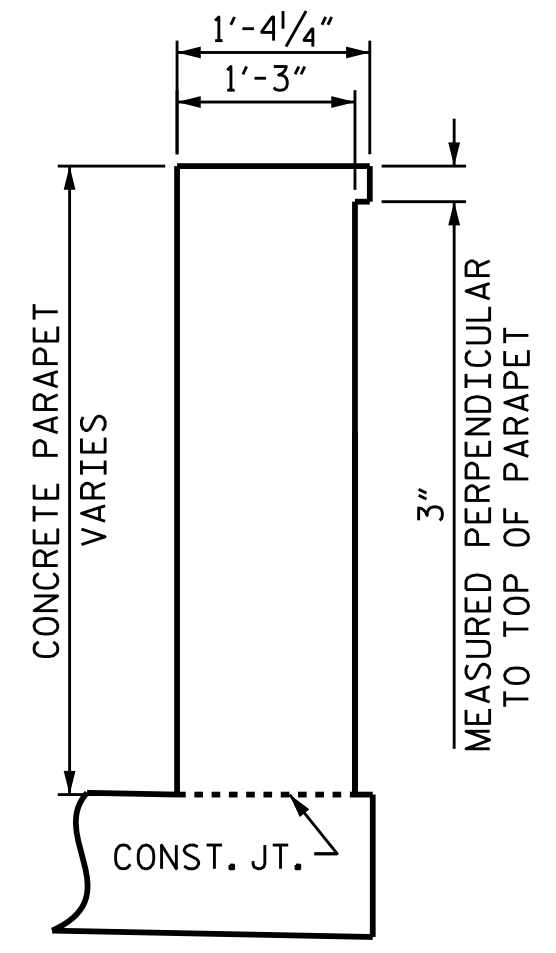
CONCRETE PARAPET ON MOMENT SLAB @ END BENT 2



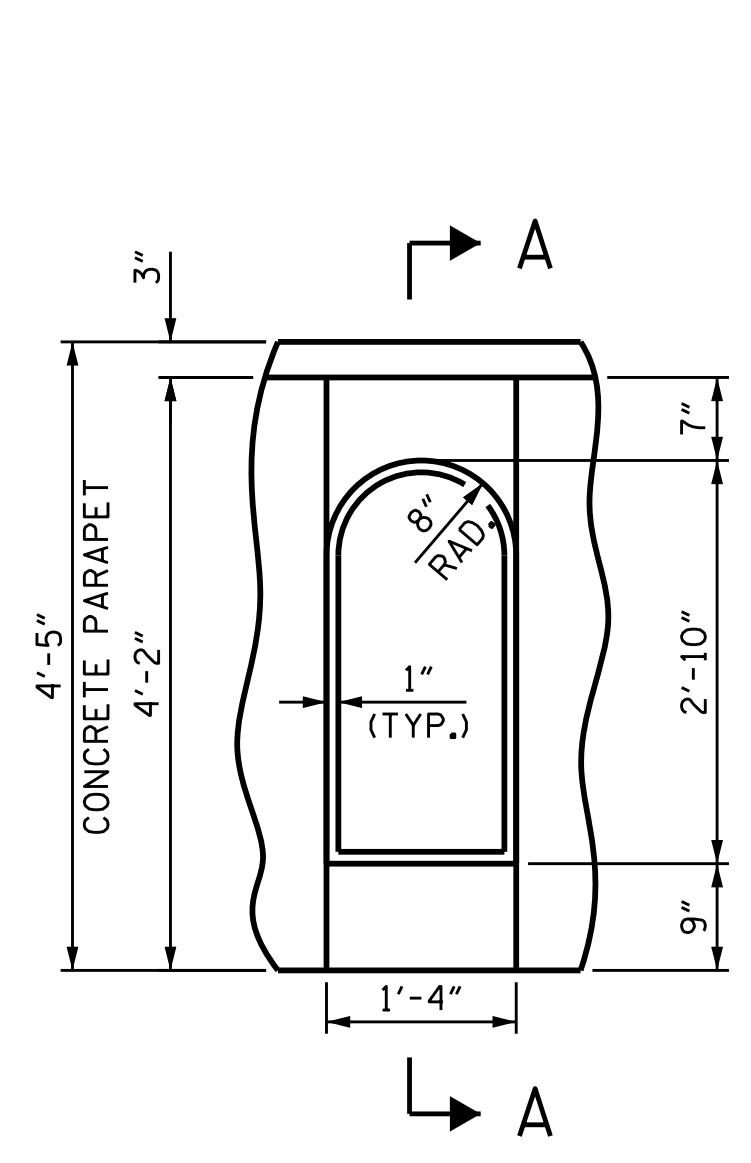
SECTION D-D



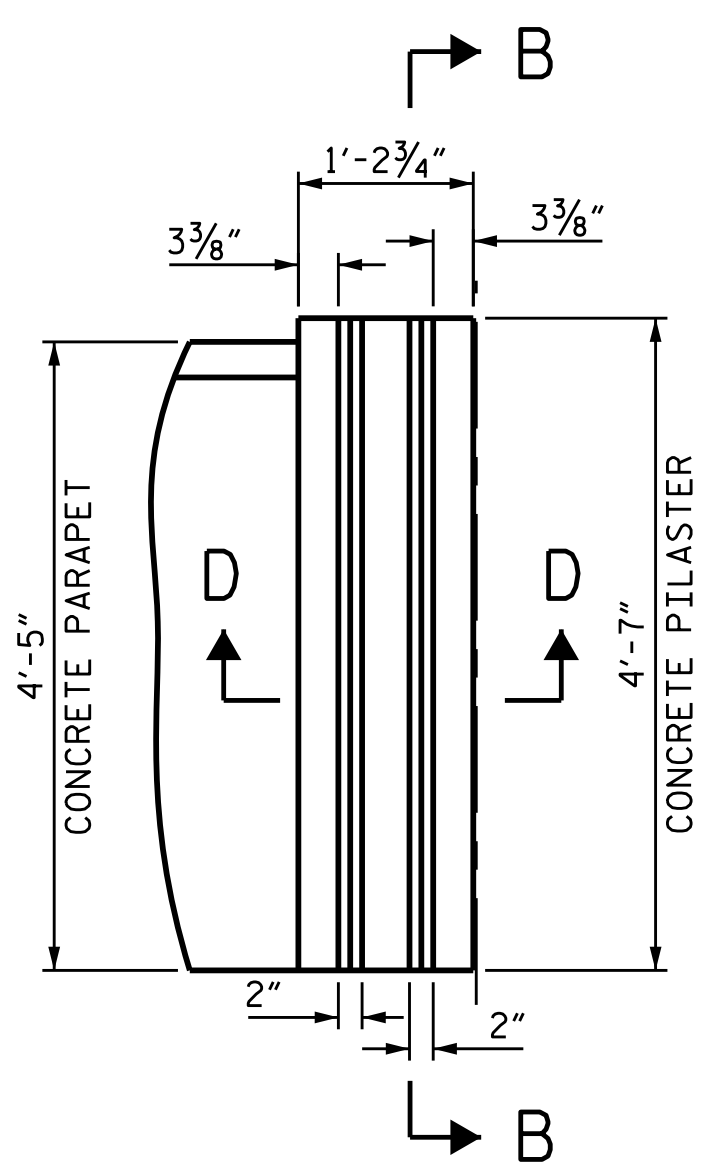
SECTION E-E



SECTION C-C

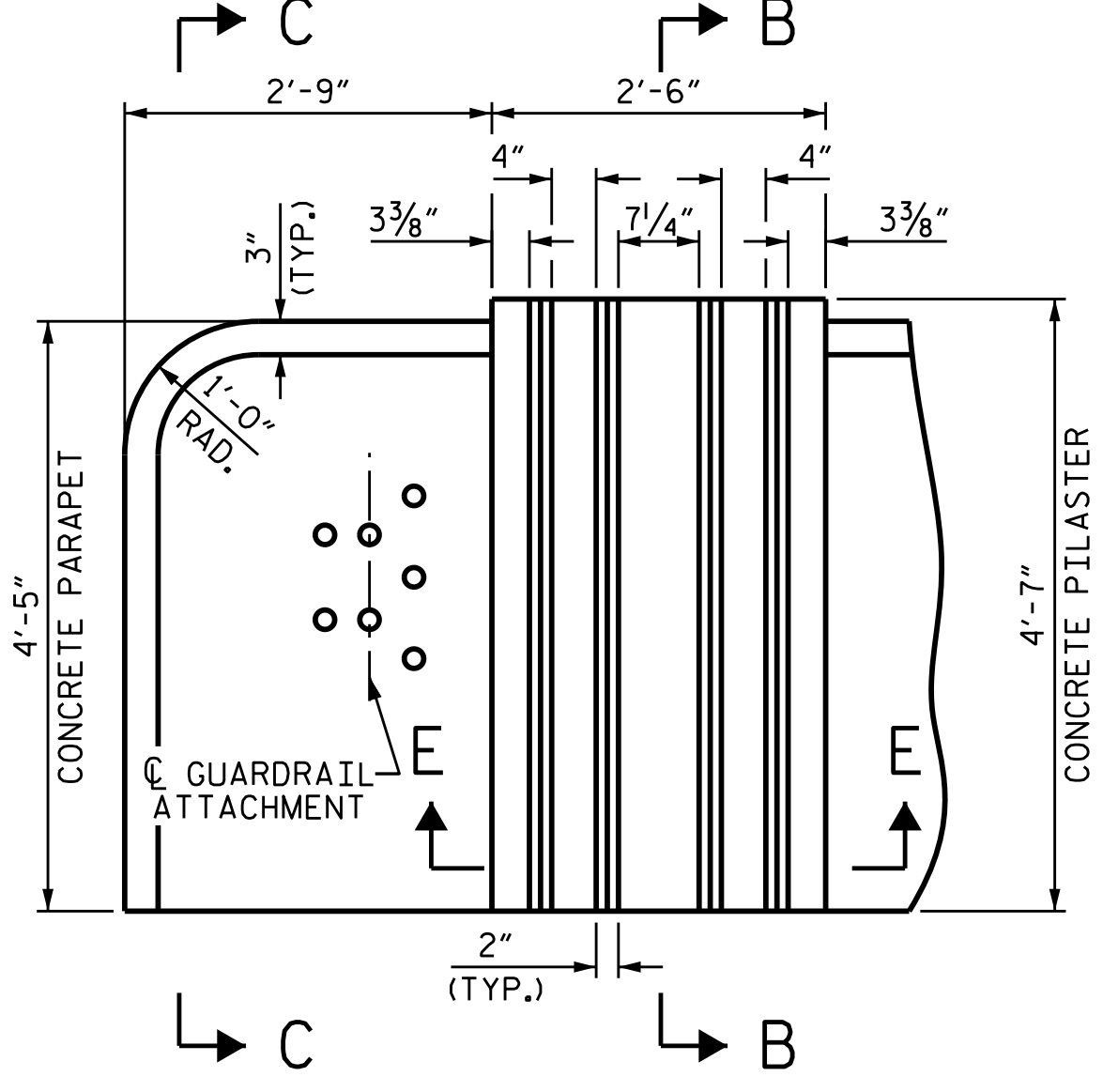


RECESSED PANEL DETAIL

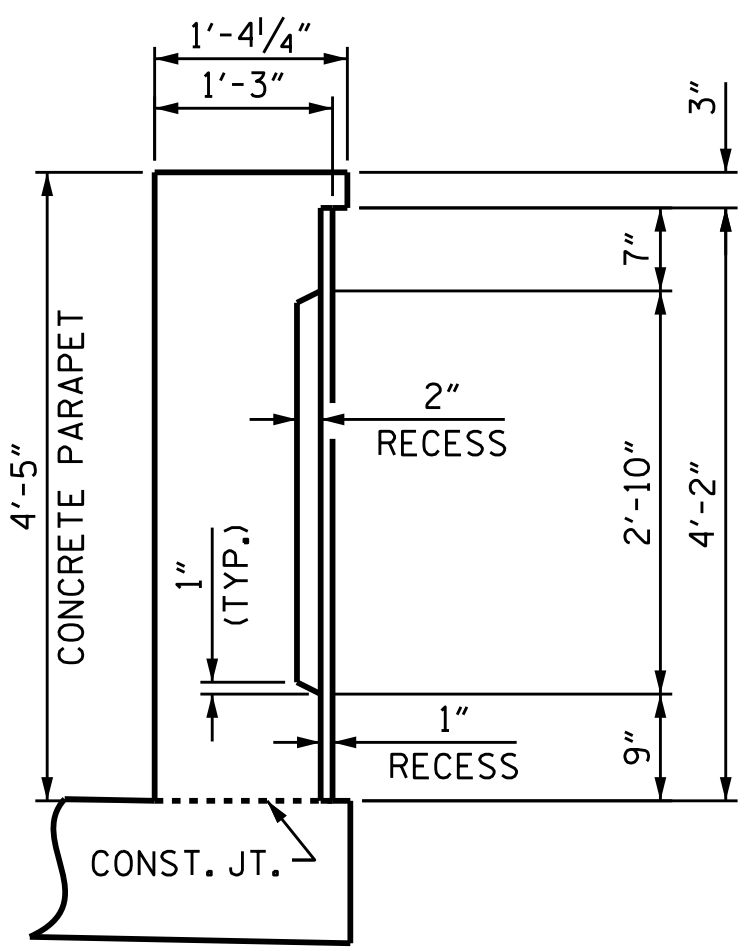


JOINT PILASTER DETAIL

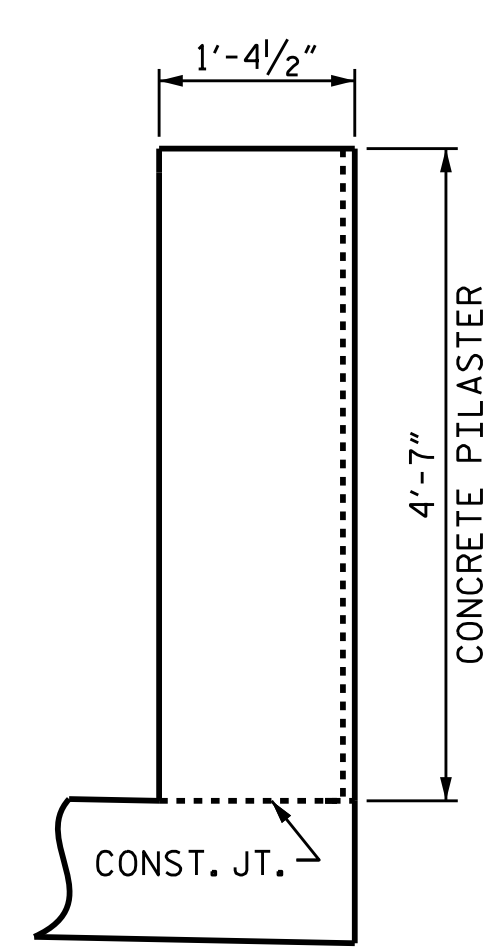
PILASTER TO LEFT OF JOINT SHOWN.  
PILASTER TO RIGHT OF JOINT  
SIMILAR BY ROTATION.



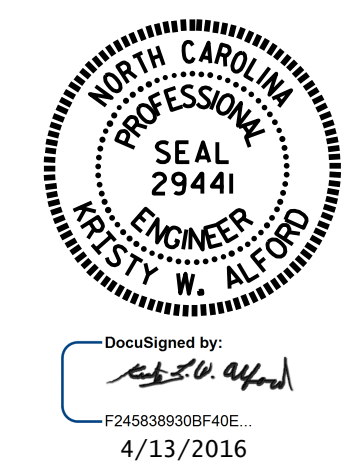
END OF PARAPET DETAIL



SECTION A-A



SECTION B-B



PROJECT NO. B-5121/B-5317  
WAKE COUNTY  
STATION: 20+19.94 -FLYOVER-

SHEET 3 OF 4

STATE OF NORTH CAROLINA  
DEPARTMENT OF TRANSPORTATION  
RALEIGH

MOMENT SLAB

DRAWN BY : K.W. ALFORD DATE : 2/2016  
CHECKED BY : I.L. AVERETTE DATE : 2/2016  
DESIGN ENGINEER OF RECORD: K.W. ALFORD DATE : 2/2016

DOCUMENT NOT CONSIDERED  
FINAL UNLESS ALL  
SIGNATURES COMPLETED

REVISIONS						SHEET NO.	
NO.	BY:	DATE:	NO.	BY:	DATE:	S-104	
1			3			TOTAL SHEETS 110	
2			4				