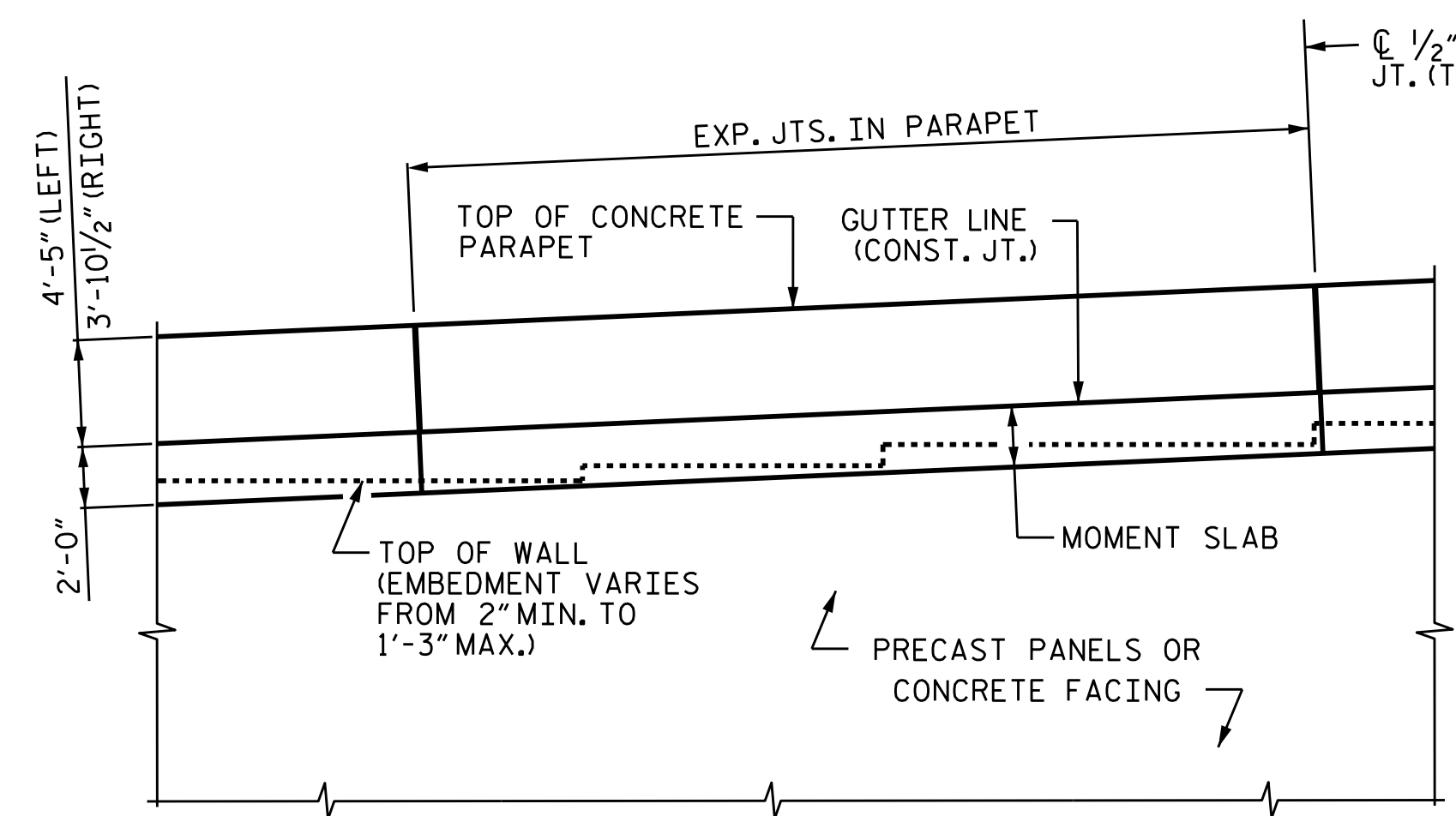
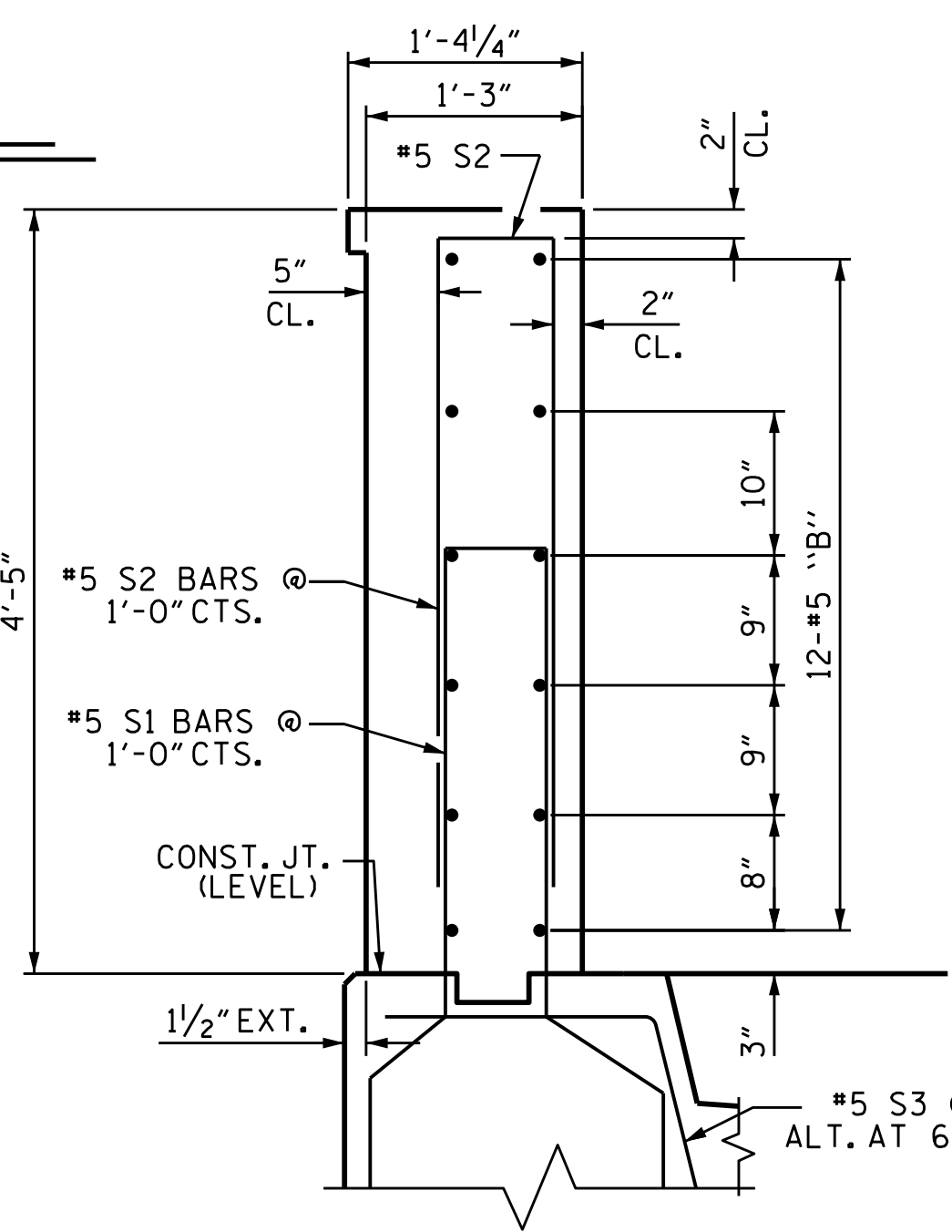


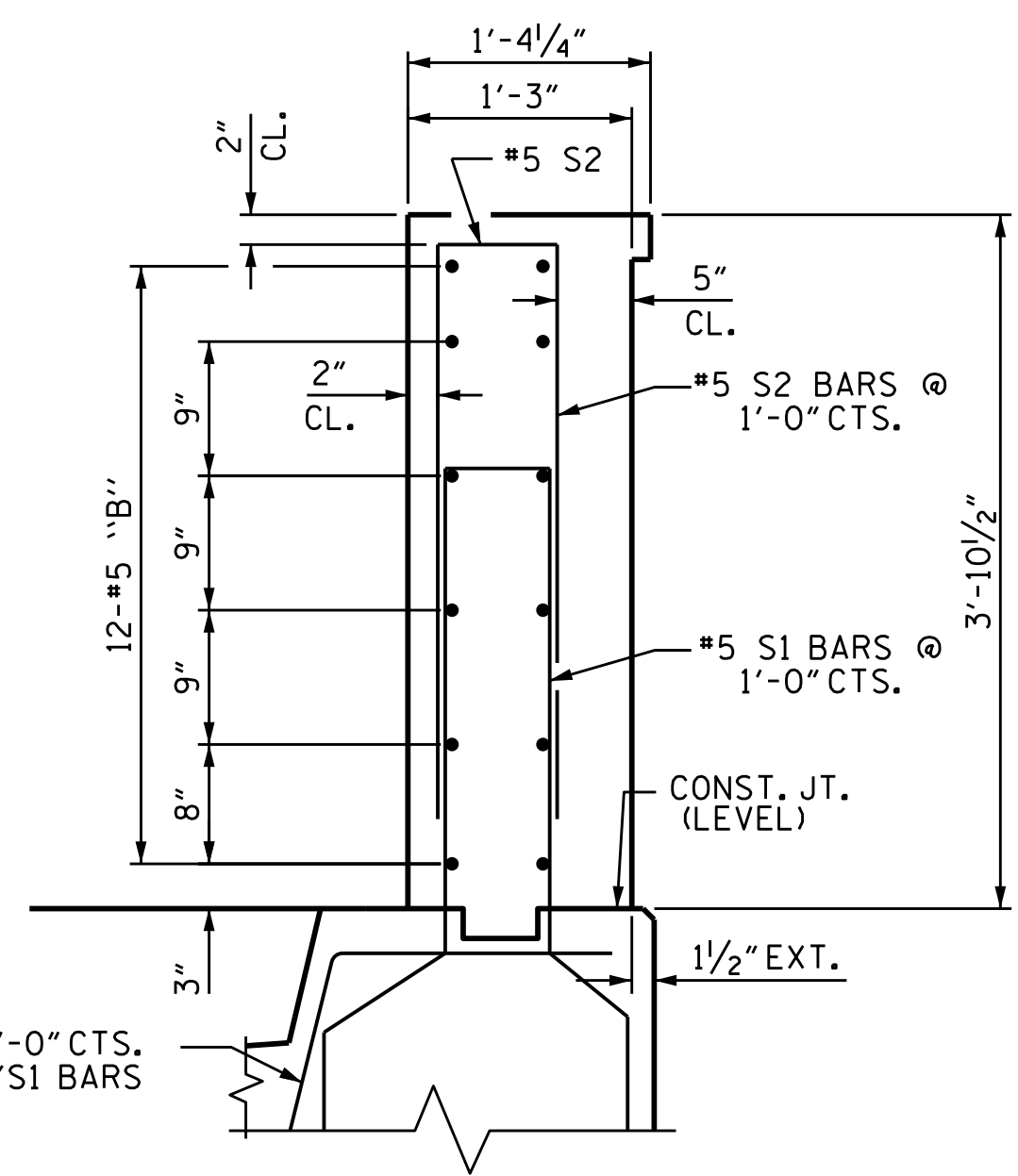
CONCRETE PARAPET WITH MOMENT SLAB



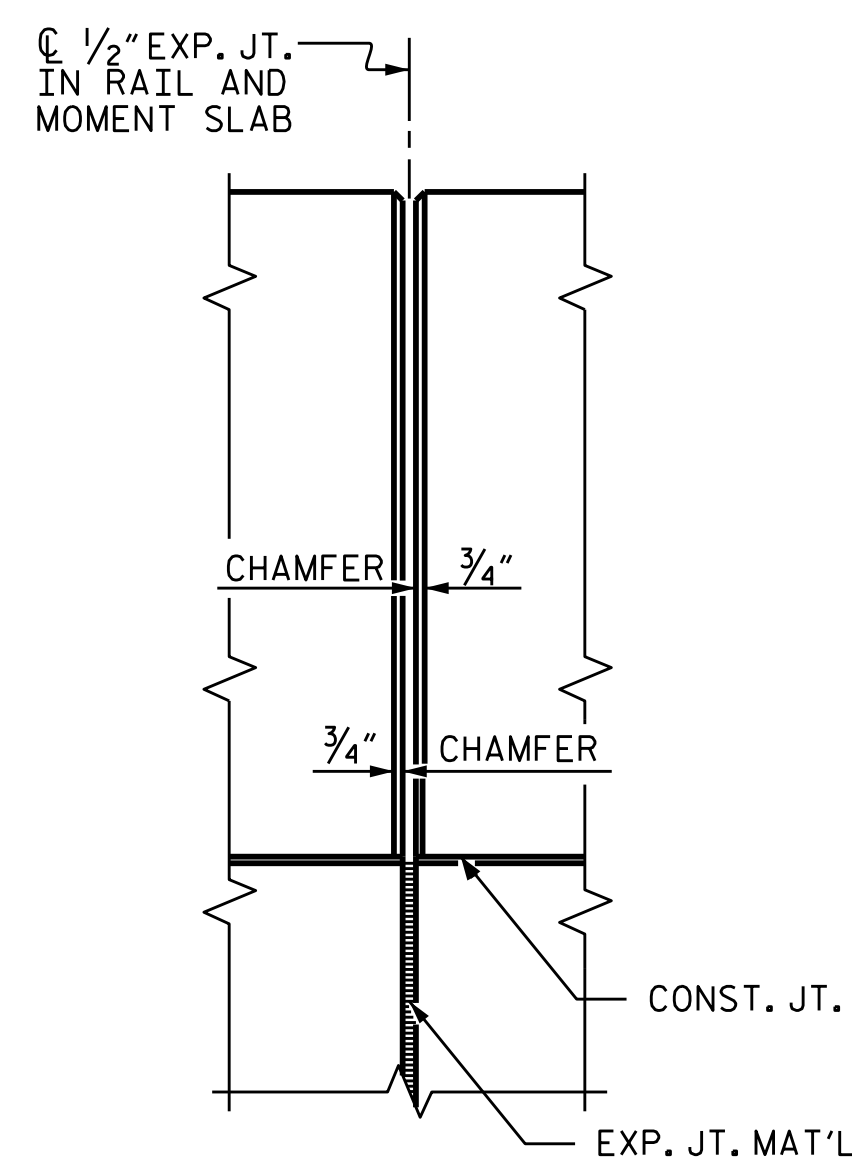
CONCRETE PARAPET WITH MOMENT SLAB - PARTIAL ELEVATION



SECTION THRU LEFT PARAPET

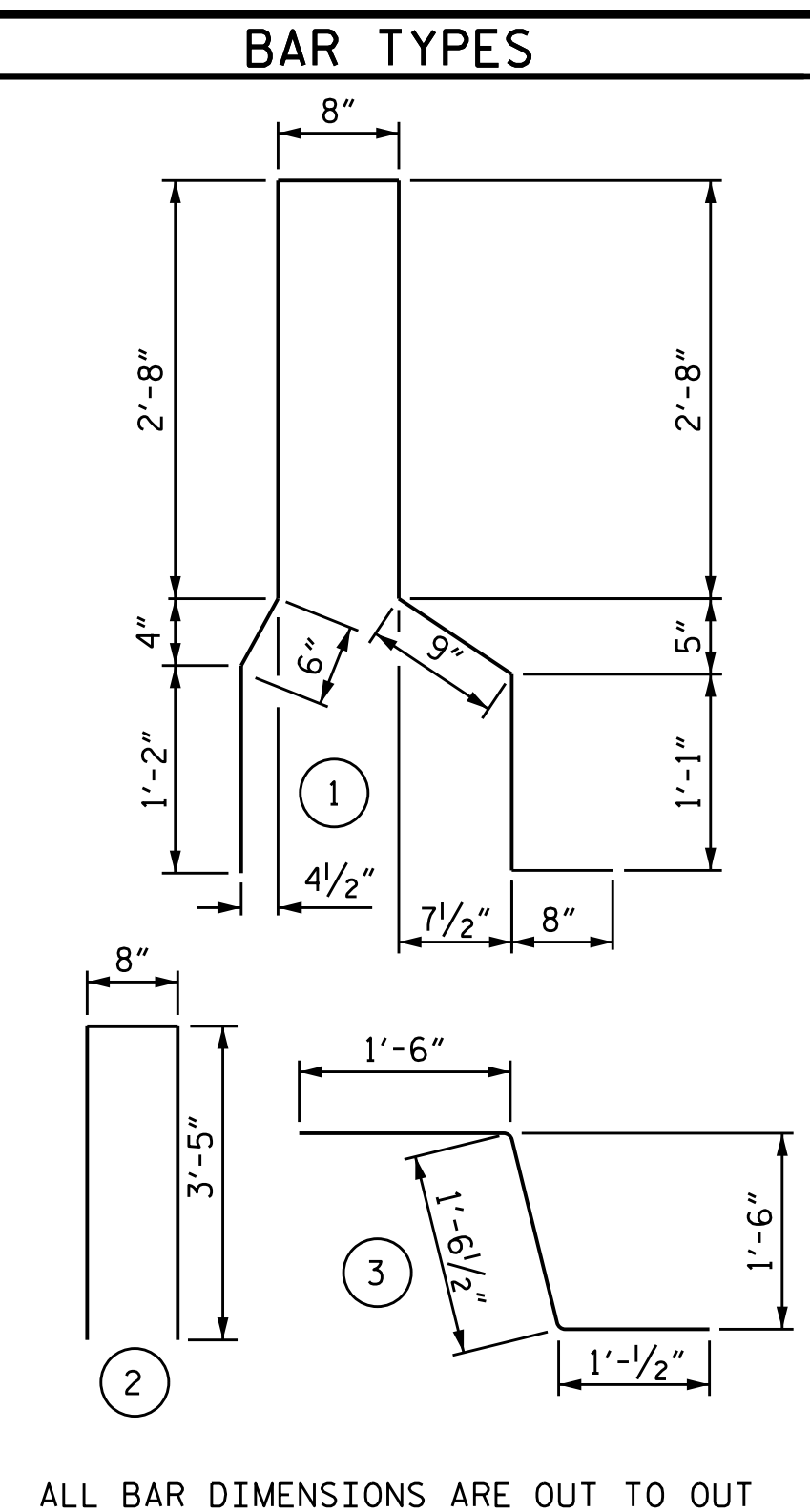


SECTION THRU RIGHT PARAPET



ELEV. @ EXP. JOINTS

BILL OF MATERIAL					
BAR NO.	NO.	SIZE	TYPE	LENGTH	WEIGHT
B1	28	#4	STR	24'-4"	455
* B2	24	#5	STR	24'-6"	613
B3	28	#4	STR	10'-10"	203
* B4	12	#5	STR	18'-4"	229
B5	28	#4	STR	12'-9"	238
* B6	12	#5	STR	23'-5"	293
B7	14	#4	STR	17'-6"	164
* B8	12	#5	STR	17'-6"	219
B9	28	#4	STR	19'-4"	362
* B10	24	#5	STR	19'-6"	488
B11	14	#4	STR	17'-6"	164
* B12	12	#5	STR	17'-8"	221
G1	168	#5	STR	4'-4"	759
G2	168	#4	STR	4'-4"	486
S1	169	#5	1	10'-2"	1792
* S2	169	#5	2	7'-6"	1322
S3	167	#5	3	4'-1"	711
REINFORCING STEEL				3542 LB	
* EPOXY COATED REINFORCING STEEL				5177 LB	
CLASS AA CONCRETE PARAPET				31.0 CY	
CLASS A CONCRETE MOMENT SLAB				51.7 CY	



ALL BAR DIMENSIONS ARE OUT TO OUT

**NOTES:**

FOR CONCRETE PARAPET WITH MOMENT SLAB, SEE CONCRETE PARAPET WITH MOMENT SLAB SPECIAL PROVISION.

CONCRETE PARAPET WITH MOMENT SLAB SHALL BE A MINIMUM OF 15' IN LENGTH.

EXPANSION JOINTS SHALL BE PLACED IN THE PARAPET AND MOMENT SLAB AS SHOWN ON SHEET 2 OF 4.

GROOVED CONTRACTION JOINTS, 1/2" IN DEPTH, SHALL BE TOOLED IN ALL EXPOSED SURFACES OF THE PARAPET AND IN ACCORDANCE WITH ARTICLE 825-10(B) OF THE STANDARD SPECIFICATIONS. A CONTRACTION JOINT SHALL BE LOCATED AT EACH THIRD POINT BETWEEN PARAPET EXPANSION JOINTS. ONLY ONE CONTRACTION JOINT IS REQUIRED AT MID-POINT OF PARAPET SEGMENTS LESS THAN 20' IN LENGTH.

THE PARAPET SHALL NOT BE CAST UNTIL THE MOMENT SLAB HAS ATTAINED AN AGE OF THREE CURING DAYS OR A MINIMUM COMPRESSIVE STRENGTH OF 2,000 PSI. IN ADDITION, NO FILL MATERIAL, ASPHALT, OR CONSTRUCTION EQUIPMENT IS ALLOWED ON THE MOMENT SLAB PRIOR TO SATISFYING THE MINIMUM CONCRETE CURING AND STRENGTH REQUIREMENTS.

ALL REINFORCING STEEL IN THE PARAPET SHALL BE EPOXY COATED.

IF EXISTING OR FUTURE OBSTRUCTIONS SUCH AS FOUNDATIONS, BARRIERS, PIPES, INLETS OR UTILITIES WILL INTERFERE WITH CONCRETE PARAPET WITH MOMENT SLAB OR CONCRETE FACING FOR RETAINING WALL WILL BE THICKER THAN 8", CONCRETE PARAPET WITH MOMENT SLAB DETAILS SHALL BE REVISED AND SUBMITTED FOR APPROVAL.

AESTHETIC DETAILS NOT SHOWN FOR CLARITY. SEE SHEETS 3 AND 4 OF 4.

CONCRETE PARAPET WITH MOMENT SLAB  
PAY LENGTH = 168.79 LIN FT

DRAWN BY : K.W. ALFORD DATE : 2/2016  
CHECKED BY : J.L. AVERETTE DATE : 2/2016  
DESIGN ENGINEER OF RECORD : K.W. ALFORD DATE : 2/2016

DOCUMENT NOT CONSIDERED FINAL UNLESS ALL SIGNATURES COMPLETED

PROJECT NO. B-5121/B-5317  
WAKE COUNTY  
STATION: 20+19.94 -FLYOVER-



REVISIONS						SHEET NO.
NO.	BY:	DATE:	NO.	BY:	DATE:	TOTAL SHEETS
1			3			S-102
2			4			110