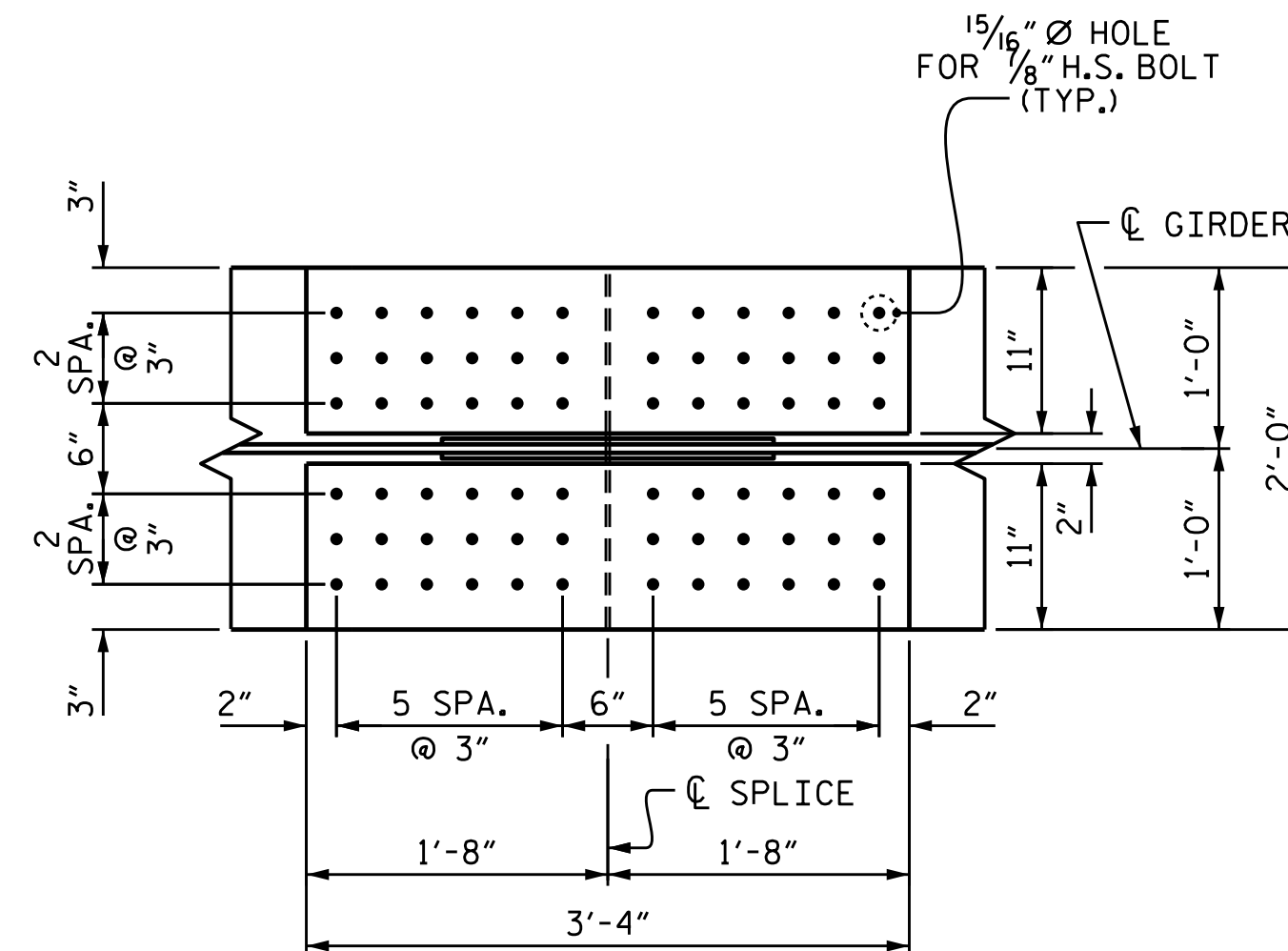
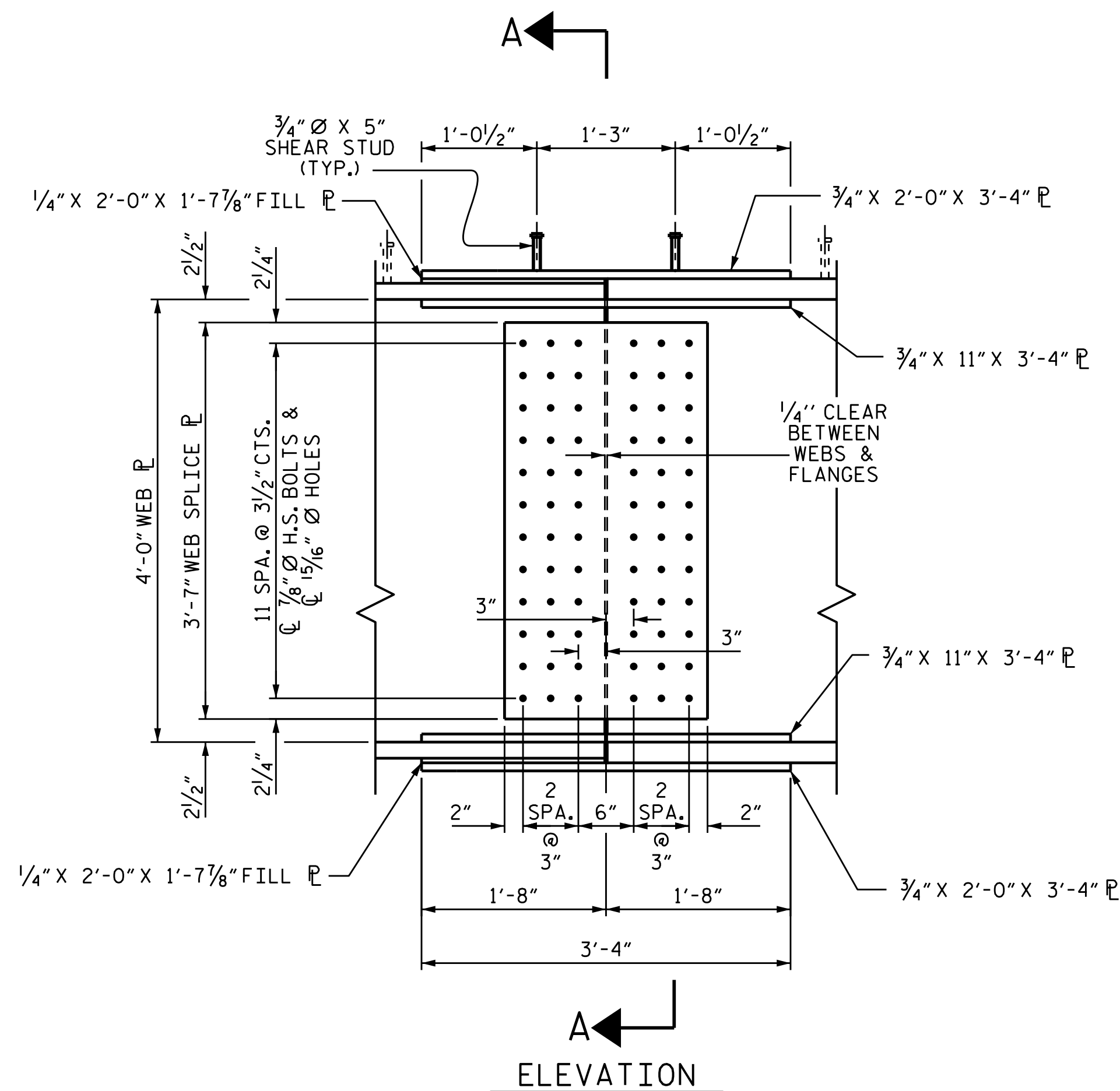


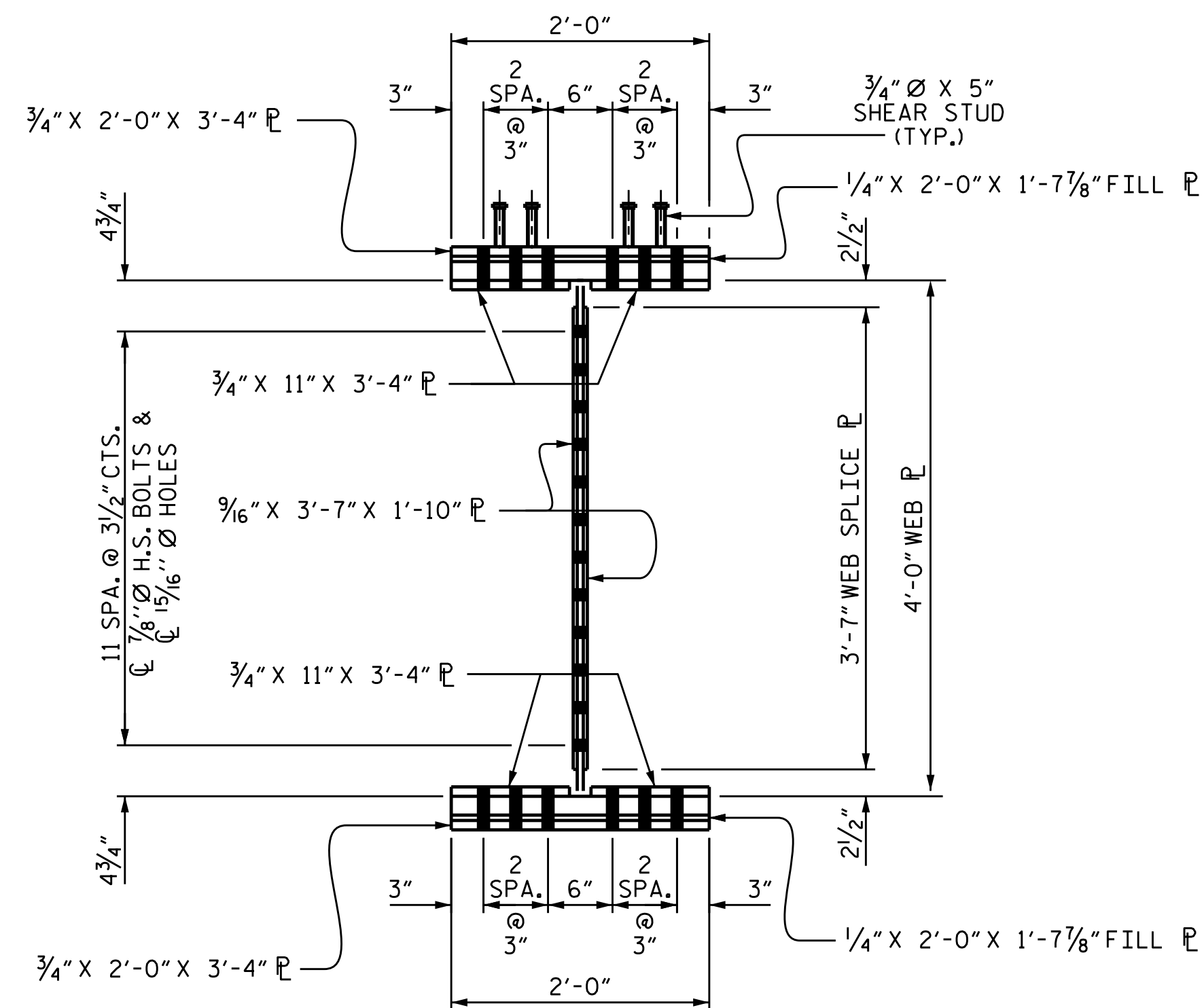
PLAN (TOP OF TOP FLANGE)



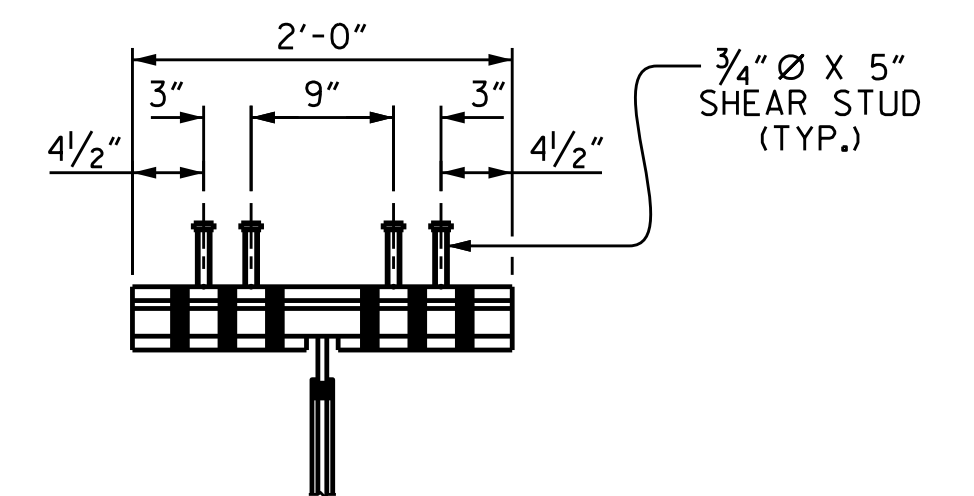
PLAN (TOP OF BOTTOM FLANGE)



ELEVATION



SECTION A-A



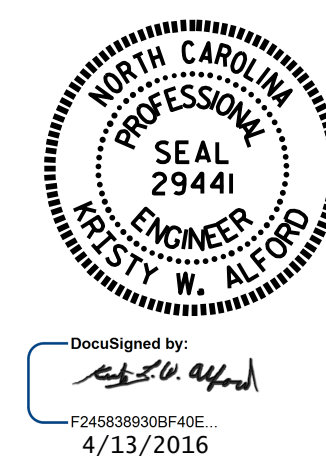
SHEAR STUD DETAIL FOR TOP FLANGE SPLICE PLATE

SHEAR STUDS ARE TO BE SHOP WELDED ON TOP OF PLATE BEFORE FIELD ASSEMBLY.

BOLTED FIELD SPLICE DETAILS

(TYPICAL EACH FIELD SPLICE)

PROJECT NO. B-5121/B-5317
 WAKE COUNTY
 STATION: 20+19.94 -FLYOVER-
 SHEET 7 OF 7



STATE OF NORTH CAROLINA
 DEPARTMENT OF TRANSPORTATION
 RALEIGH
 SUPERSTRUCTURE
 STRUCTURAL STEEL
 DETAILS

DRAWN BY : J.P. ADAMS DATE : 12/2015
 CHECKED BY : I.L. AVERETTE DATE : 2/2016
 DESIGN ENGINEER OF RECORD: R.L. CHESSON DATE : 2/2016

DOCUMENT NOT CONSIDERED
 FINAL UNLESS ALL
 SIGNATURES COMPLETED

REVISIONS						SHEET NO.
NO.	BY:	DATE:	NO.	BY:	DATE:	S-66
1			3			TOTAL SHEETS
2			4			110