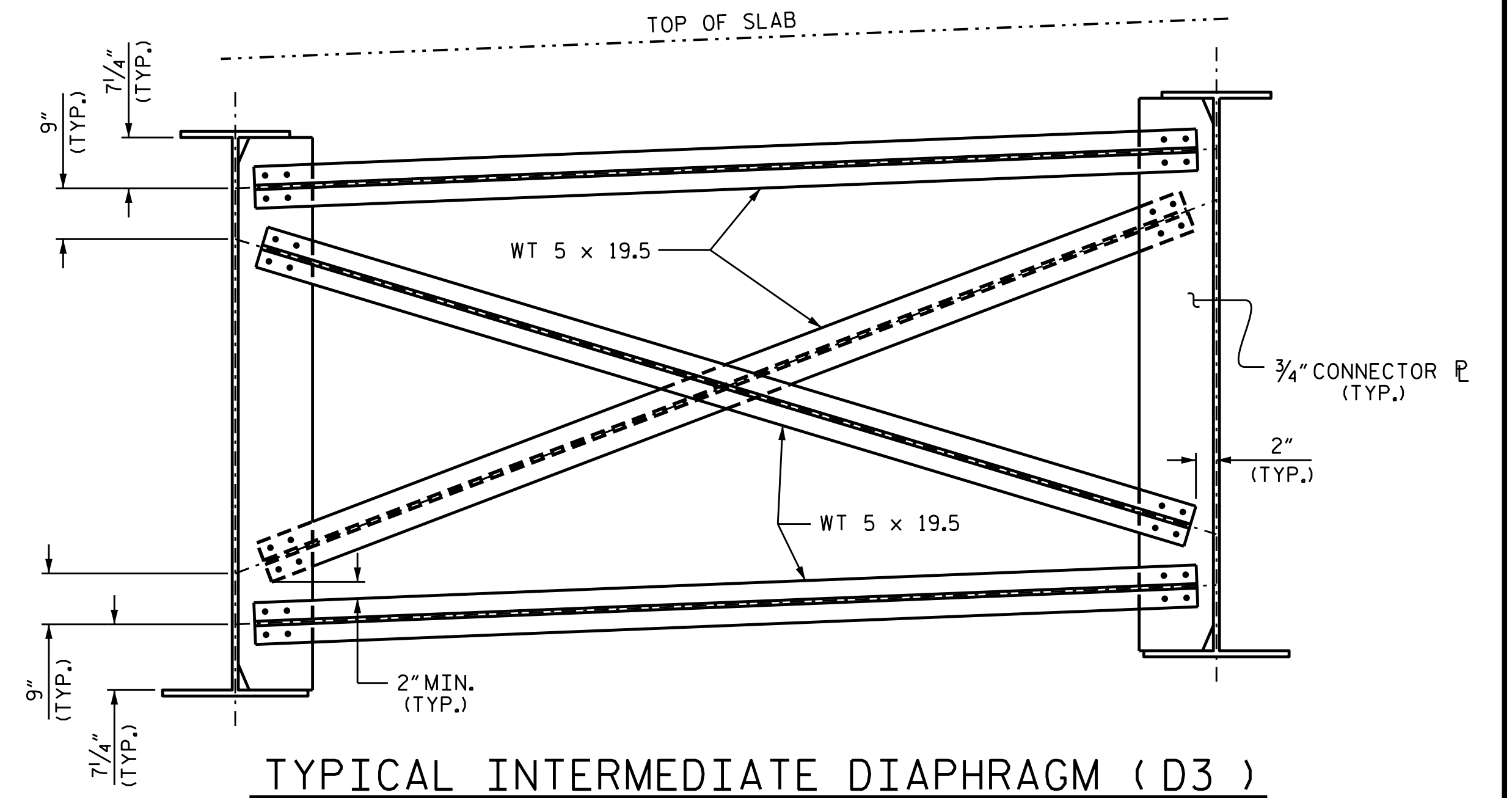
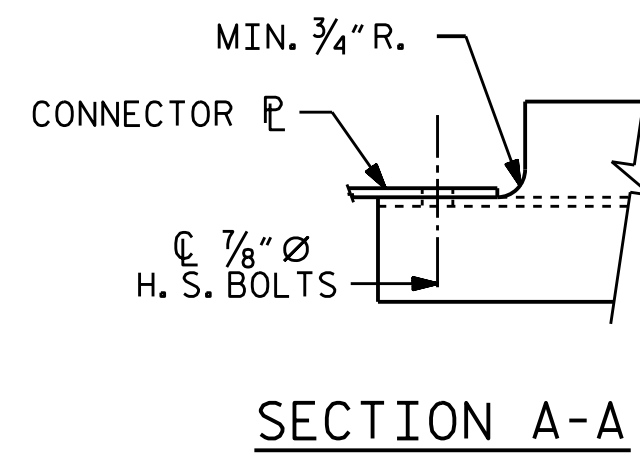
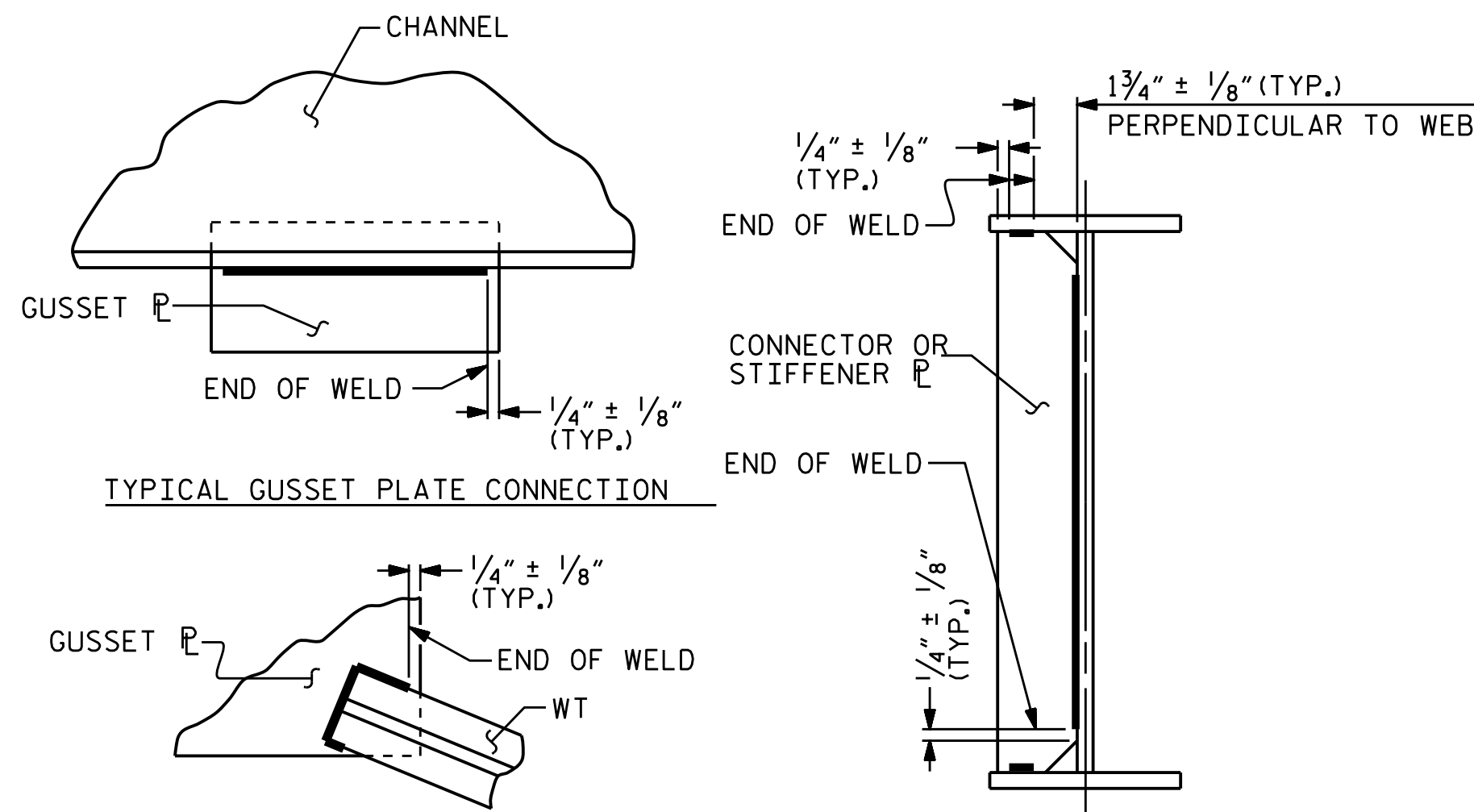


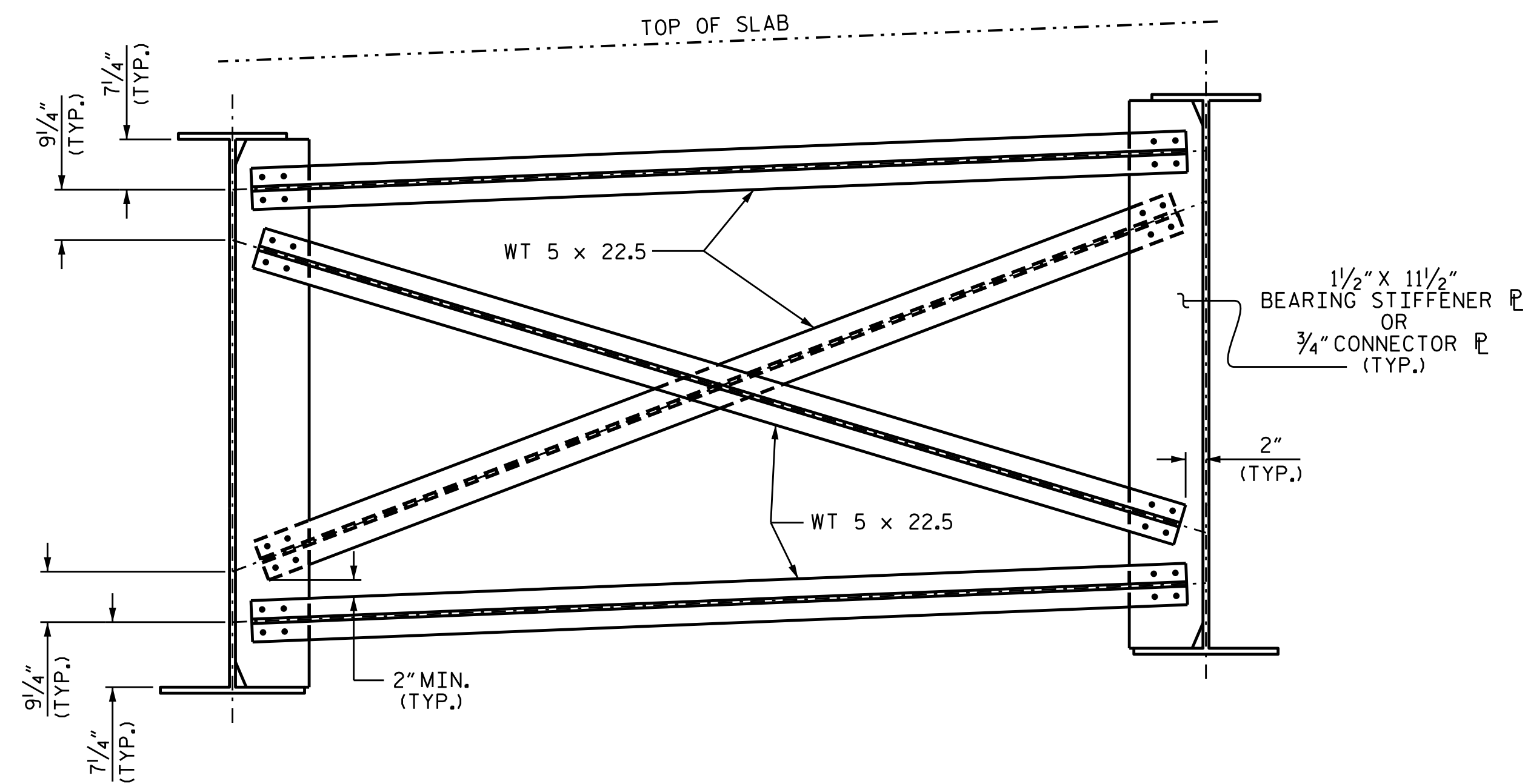
TYPICAL END BENT DIAPHRAGM ( D1 )



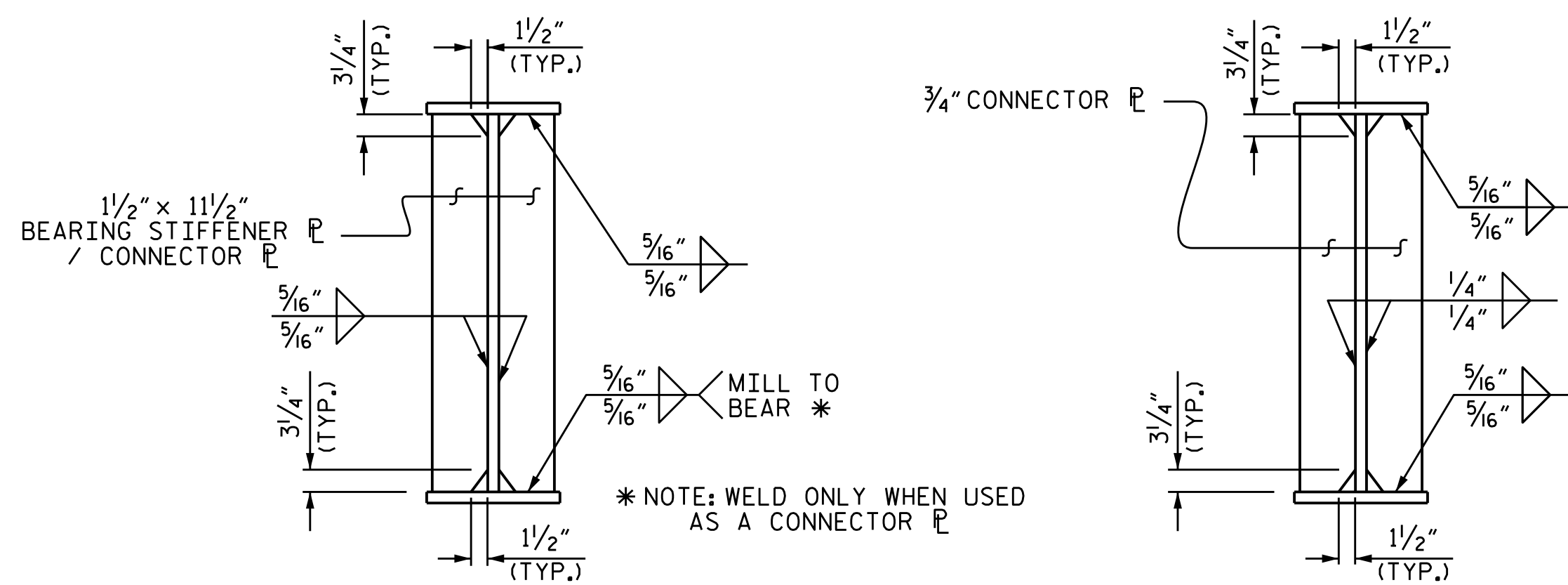
TYPICAL INTERMEDIATE DIAPHRAGM ( D3 )



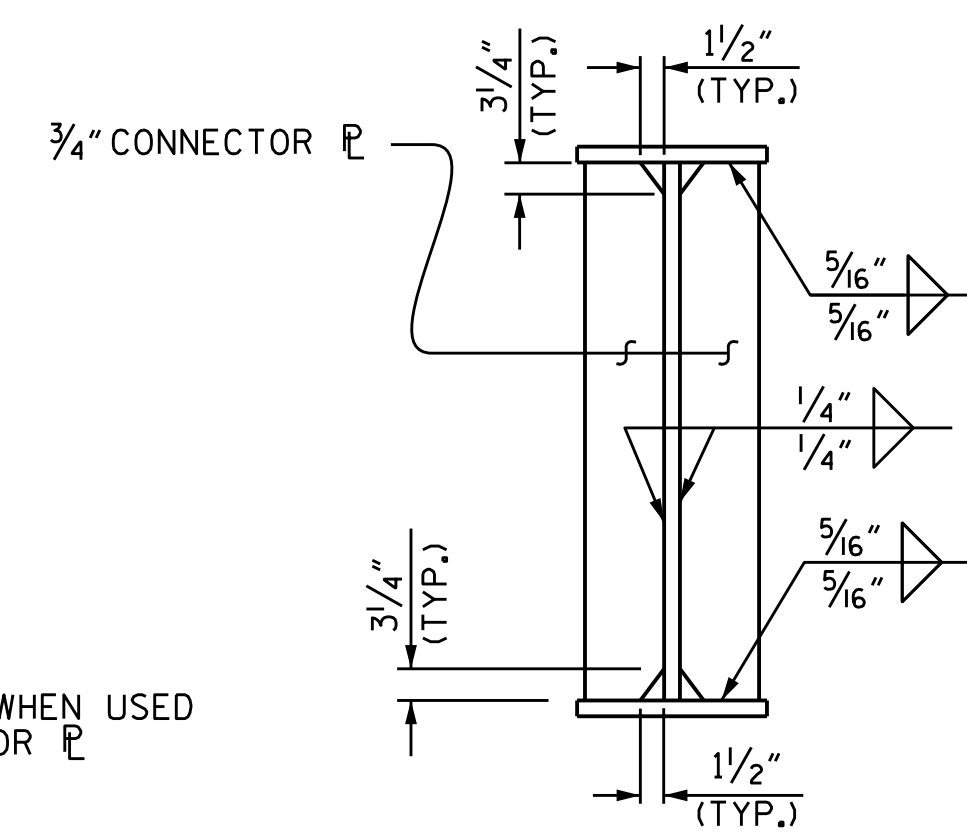
WELD TERMINATION DETAILS



TYPICAL BENT DIAPHRAGM ( D2 )

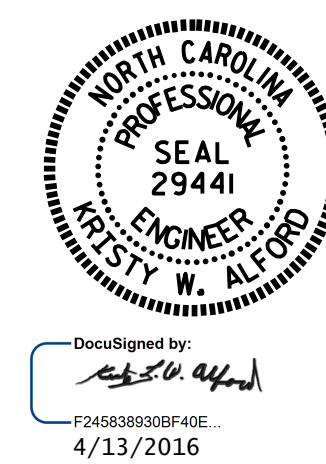


BEARING STIFFENER / CONNECTOR



CONNECTOR ( AT INTERMEDIATE DIAPHRAGMS )

PROJECT NO. B-5121/B-5317  
 WAKE COUNTY  
 STATION: 20+19.94 -FLYOVER-  
 SHEET 5 OF 7



STATE OF NORTH CAROLINA DEPARTMENT OF TRANSPORTATION RALEIGH					
SUPERSTRUCTURE STRUCTURAL STEEL DETAILS					
REVISIONS					
NO.	BY:	DATE:	NO.	BY:	DATE:
1			3		
2			4		
SHEET NO.					S-64
TOTAL SHEETS					110

DRAWN BY : J.P. ADAMS DATE : 12/2015  
 CHECKED BY : I.L. AVERETTE DATE : 2/2016  
 DESIGN ENGINEER OF RECORD : R.L. CHESSON DATE : 2/2016

DOCUMENT NOT CONSIDERED  
 FINAL UNLESS ALL  
 SIGNATURES COMPLETED