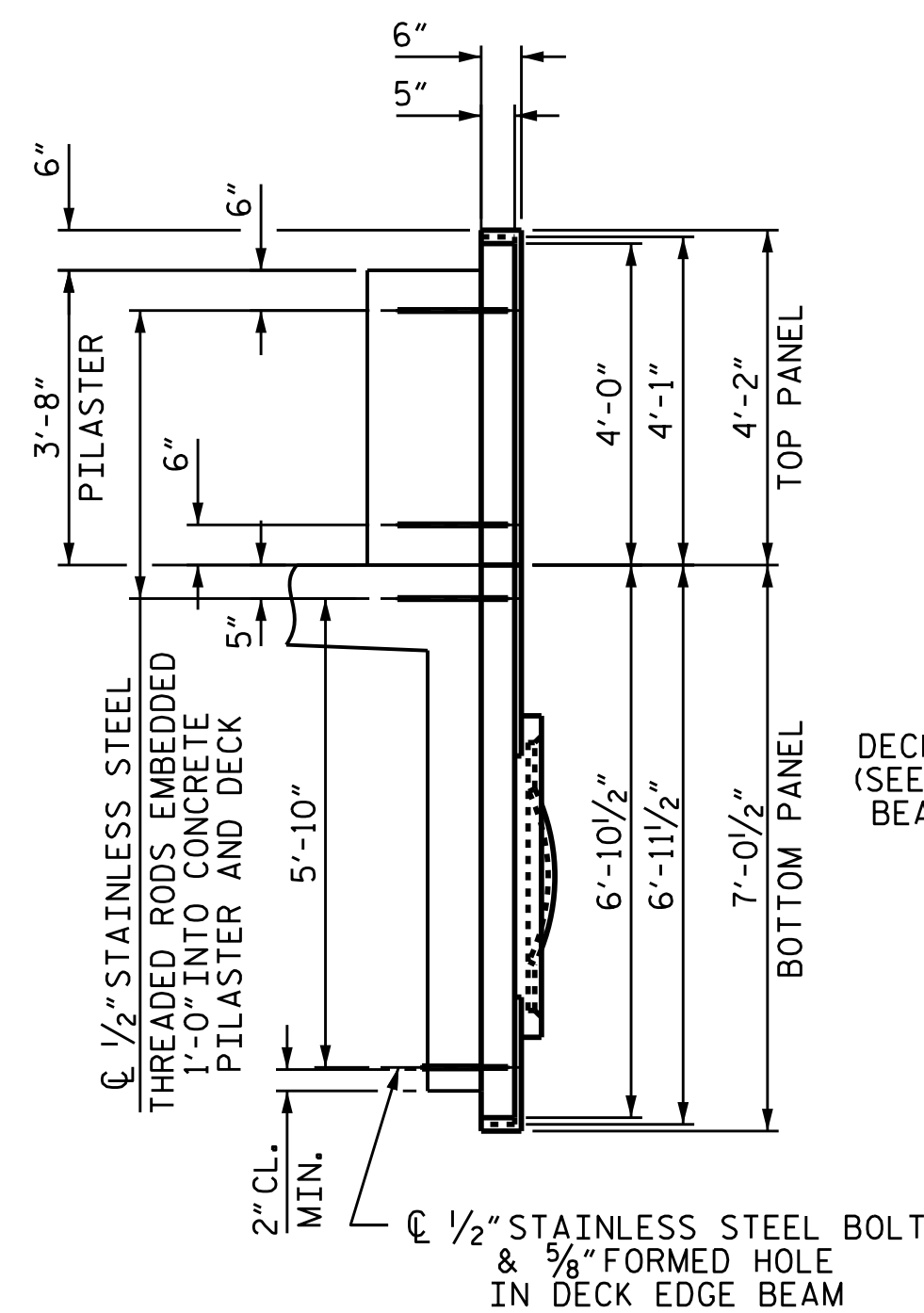
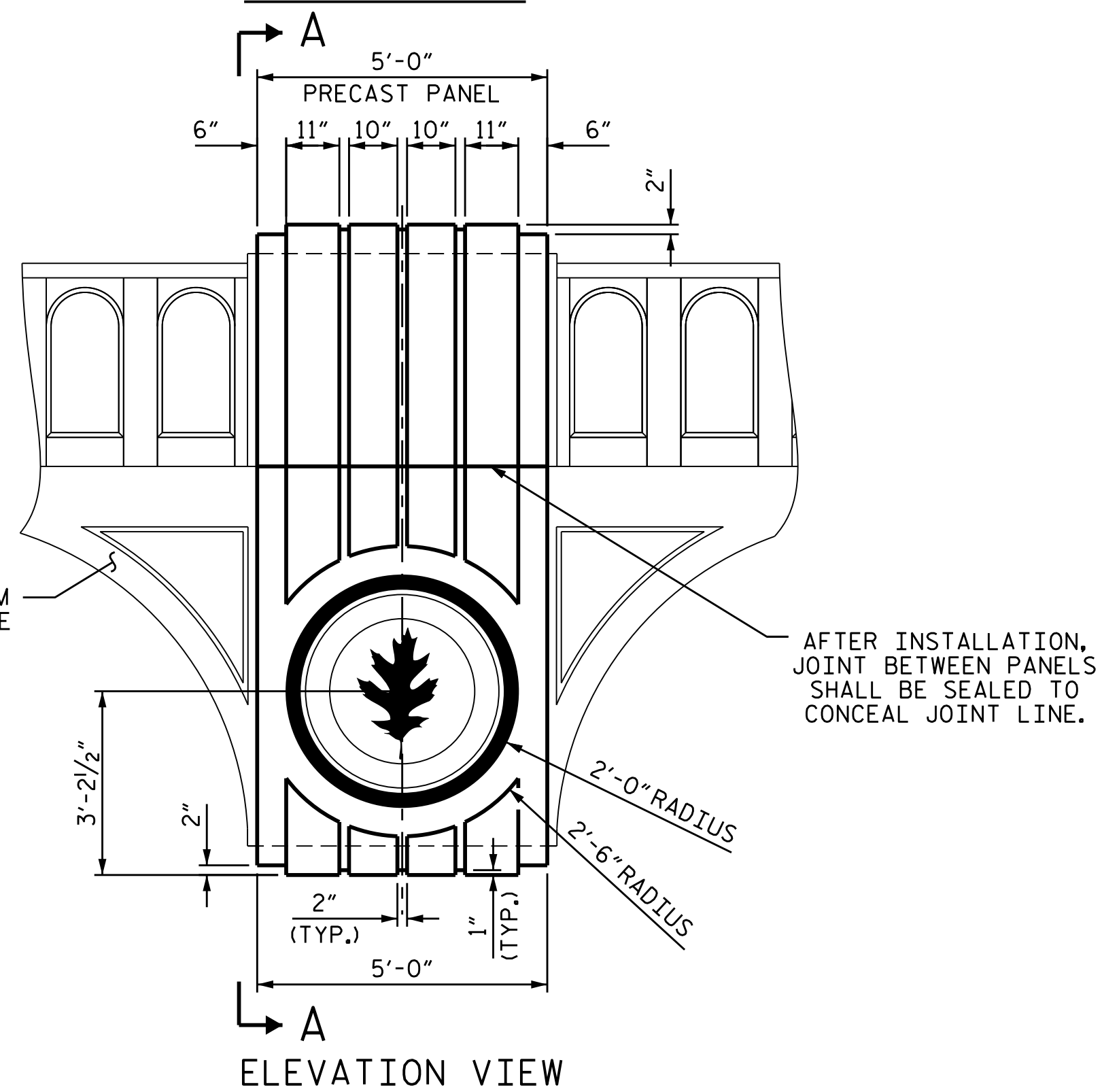


PLAN VIEW



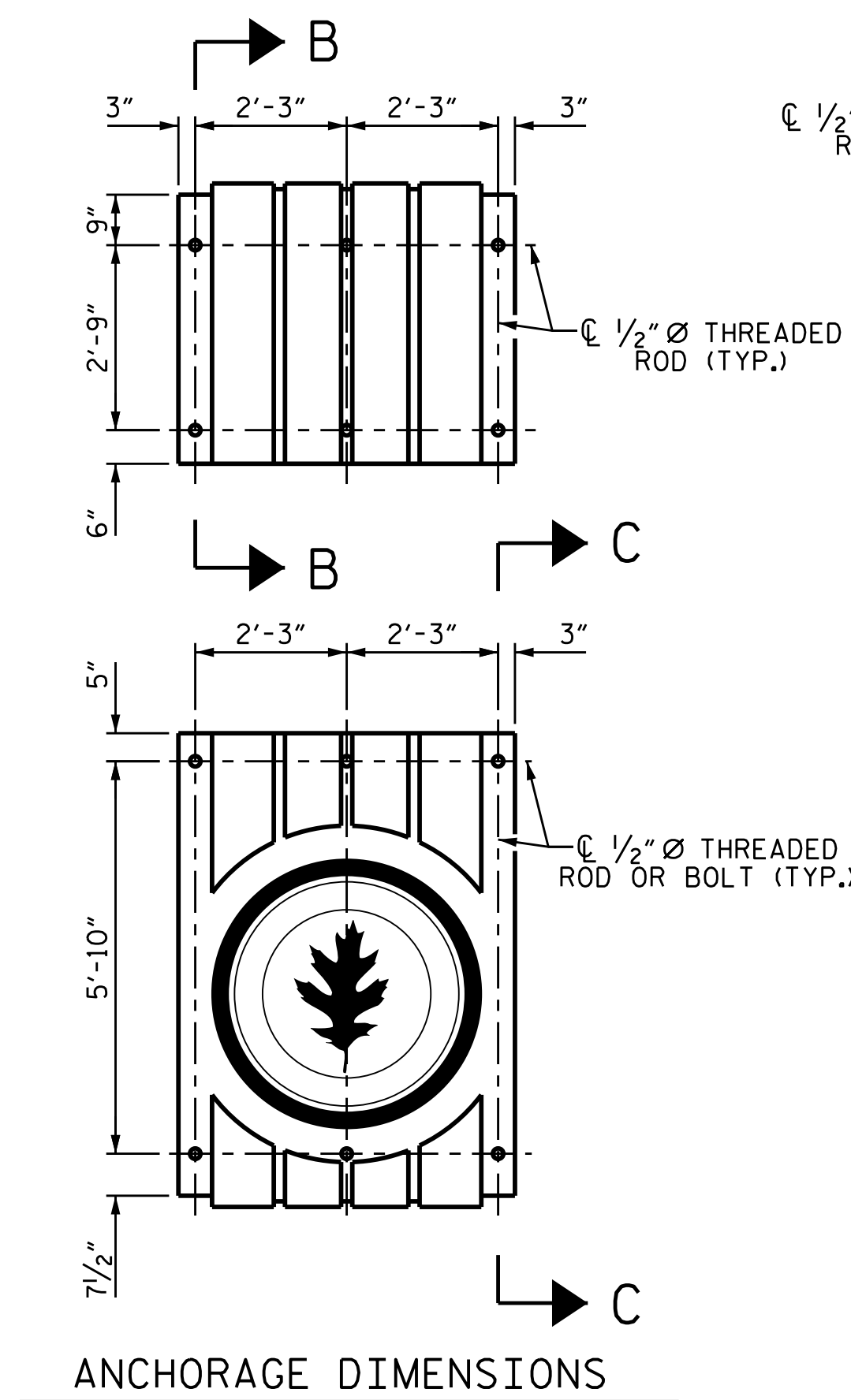
SECTION A-A



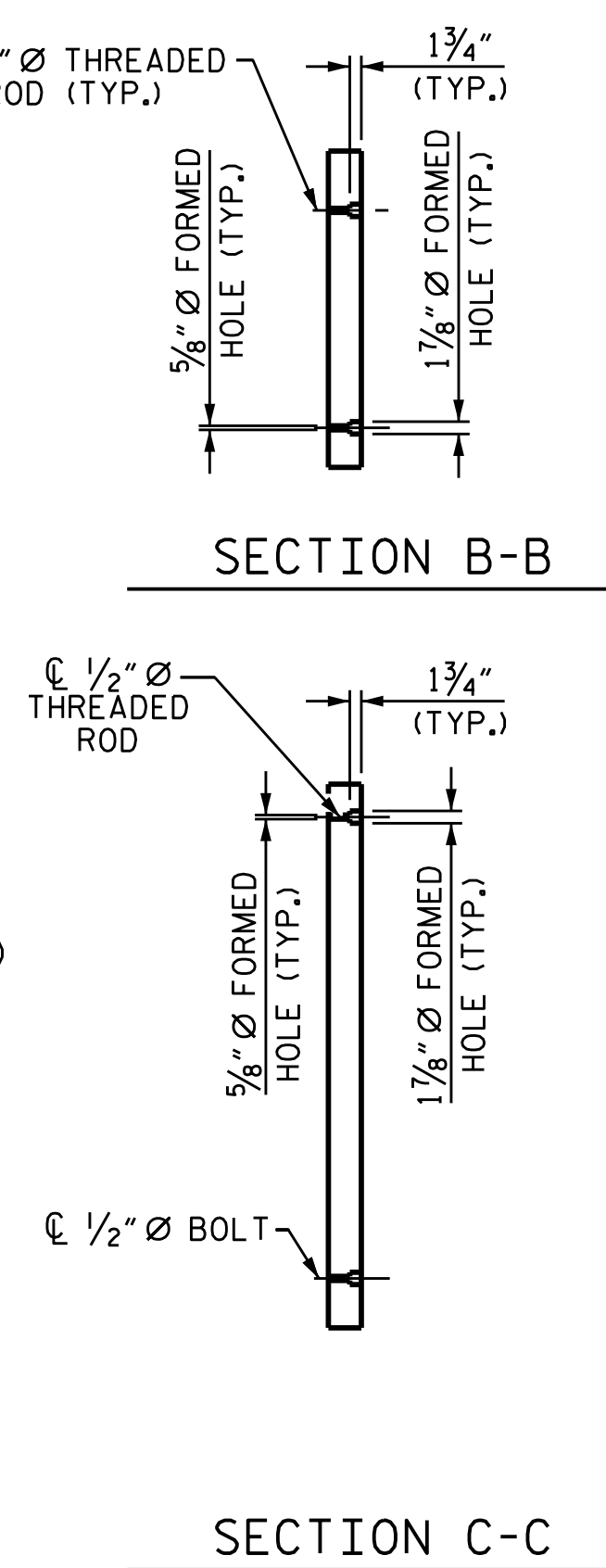
ELEVATION VIEW

MEDALLION SHALL BE POURED AS A CONTINUOUS POUR WITH THE BOTTOM PANEL AS SHOWN. FOR MEDALLION DETAILS, SEE SHEET 1 OF 2.

AFTER INSTALLATION, JOINT BETWEEN PANELS SHALL BE SEALED TO CONCEAL JOINT LINE.

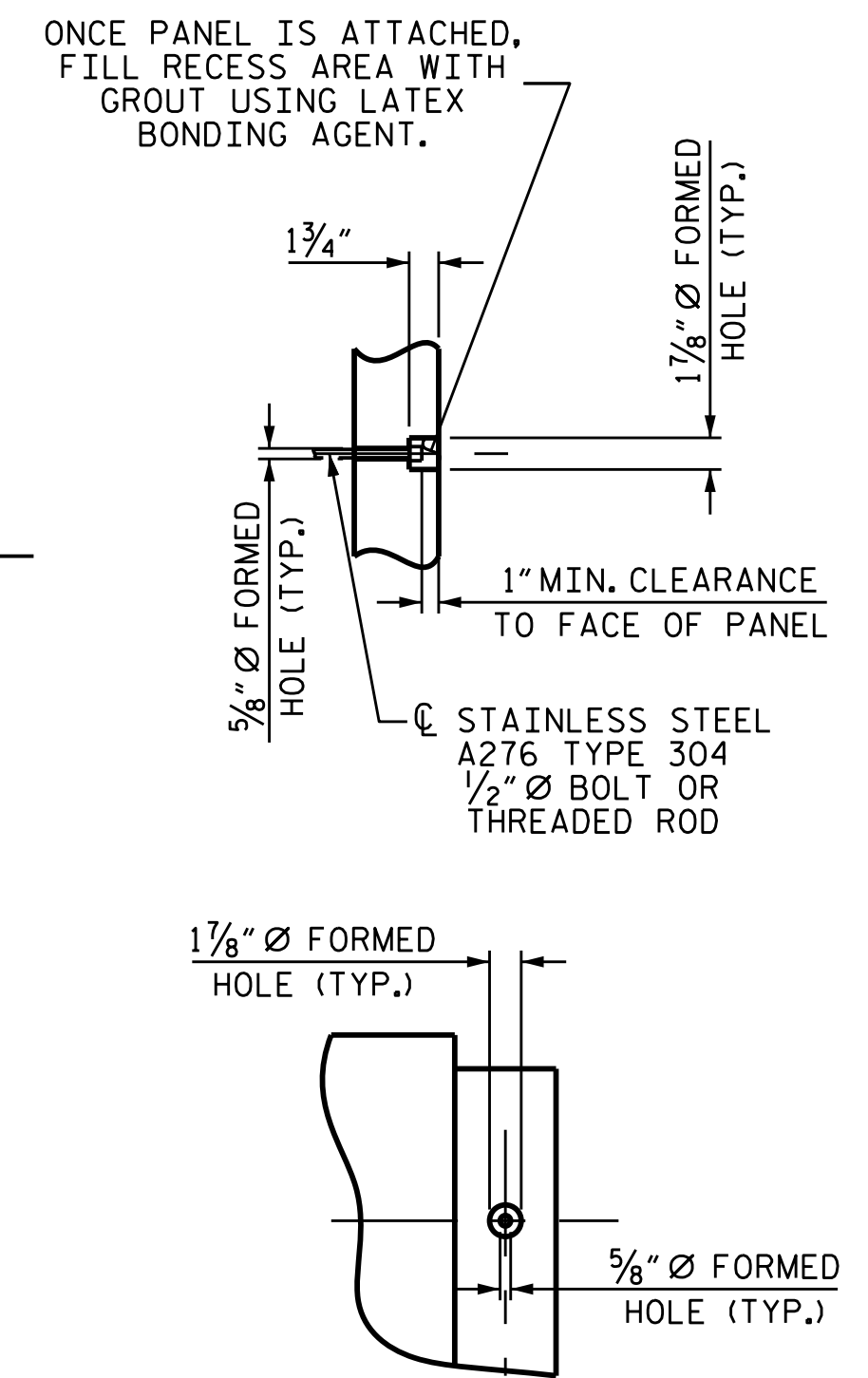


ANCHORAGE DIMENSIONS



SECTION B-B

SECTION C-C



RECESS DETAILS

NOTES

USE CLASS "A" CONCRETE WITH PEA GRAVEL AGGREGATE IN THE PRECAST CONCRETE PANELS. IN ADDITION TO THE #3 REINFORCING BARS, CONCRETE SHALL BE REINFORCED WITH POLYPROPYLENE FIBERS PER THE MANUFACTURERS' RECOMMENDATIONS.

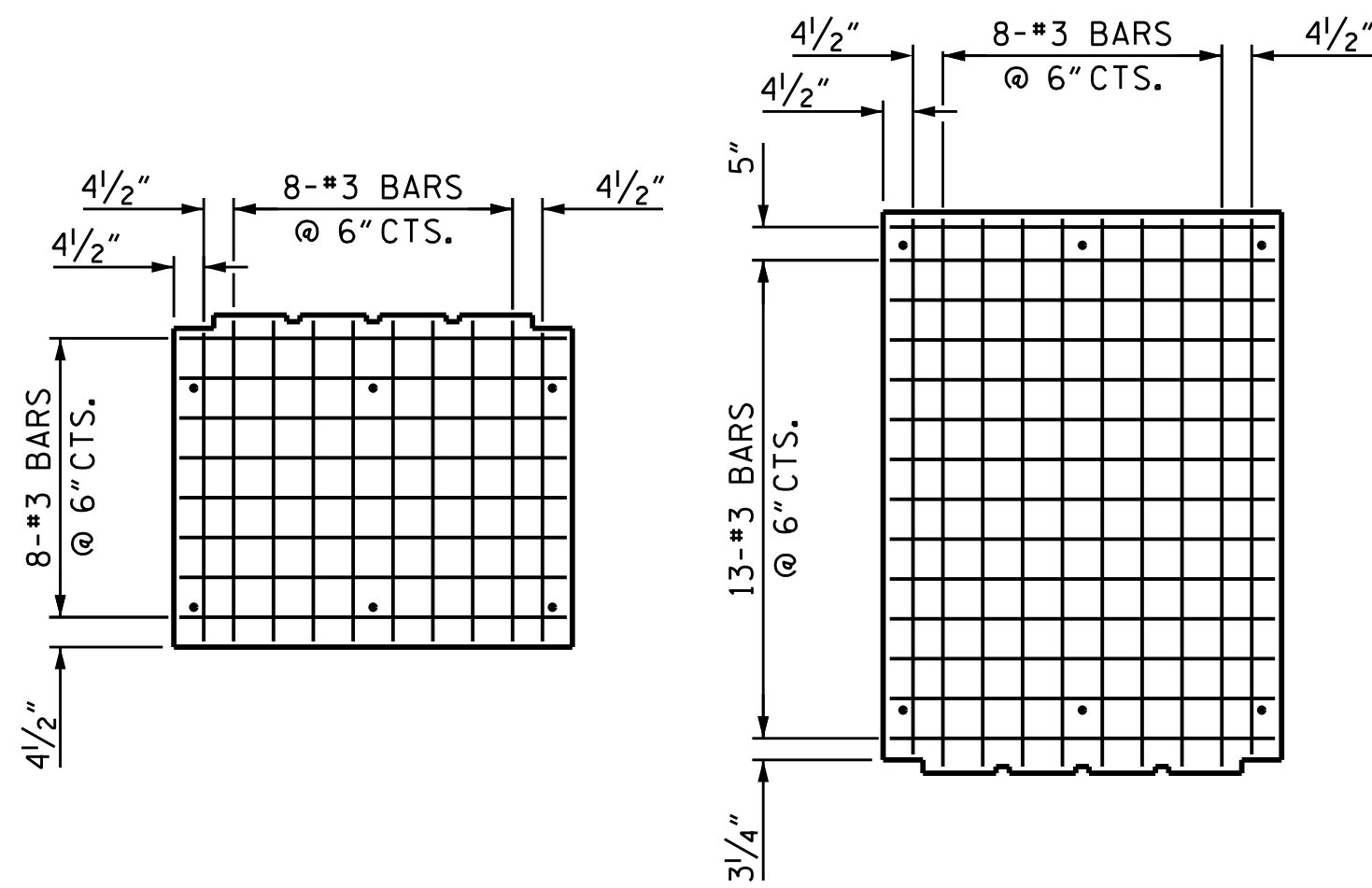
PREFORMED BEARING PAD SHALL CONFORM TO SECTION 1079-1 OF THE STANDARD SPECIFICATIONS. AT THE CONTRACTOR'S OPTION, AN UNREINFORCED PLAIN ELASTOMERIC PAD MAY BE USED.

PRECAST PANELS SHALL BE CAST AFTER BRIDGE SUPERSTRUCTURE IS COMPLETED. FORMED HOLES IN PANELS SHALL BE CAST TO MATCH THE LOCATION OF THE THREADED RODS IN THE PARAPET AND DECK AND THE FORMED HOLES IN THE DECK EDGE BEAMS. REINFORCING STEEL MAY BE SHIFTED SLIGHTLY DUE TO CHANGES IN THE FORMED HOLE LOCATIONS.

MATERIAL FOR BOLTS AND THREADED RODS SHALL BE ASTM F593 ALLOY 304 STAINLESS STEEL WITH MINIMUM 75,000 PSI ULTIMATE STRENGTH. BOLTS TO BE EMBEDDED AS SHOWN. NUTS SHALL BE AMERICAN STANDARD FINISHED HEXAGON THICK, CLASS 2B THREAD, AND MEET THE REQUIREMENTS OF ASTM F594 ALLOY 304 STAINLESS STEEL. WASHERS SHALL MEET THE REQUIREMENTS OF ASTM F844 EXCEPT THEY SHALL BE MADE FROM ALLOY 304 STAINLESS STEEL.

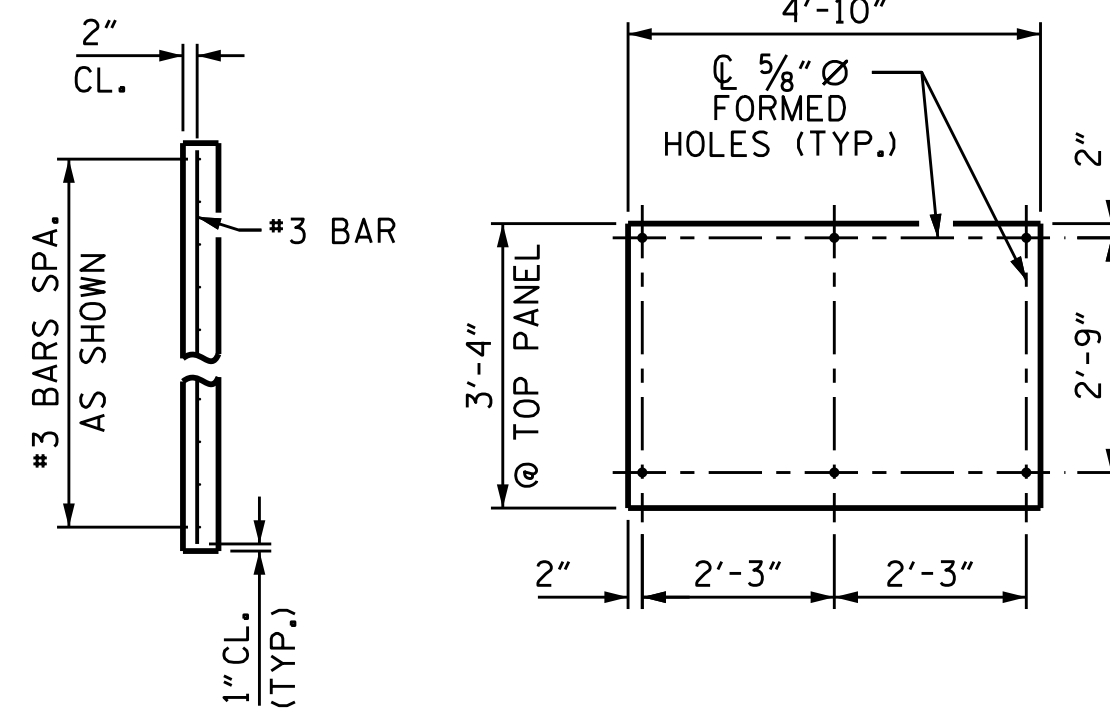
FOR PRECAST PANELS, SEE SPECIAL PROVISIONS.

NO WORK MAY BE STARTED ON FABRICATION OF PRECAST PANELS UNTIL VECTOR DRAWINGS OF THE ARTWORK HAVE BEEN OBTAINED FROM THE DEPARTMENT. NO ADDITIONAL DESIGN SHALL BE REQUIRED.

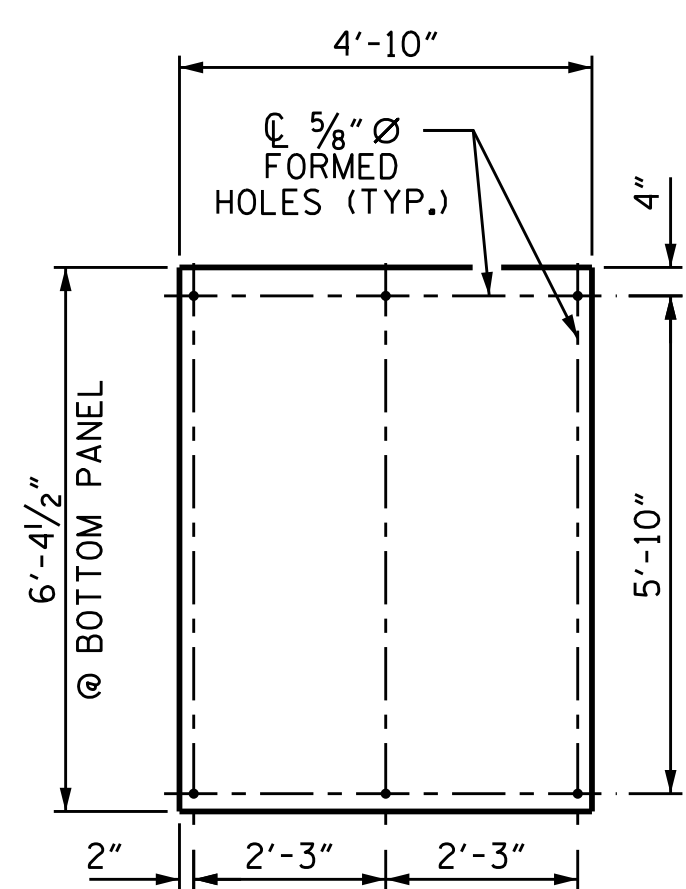


REINFORCING STEEL

RELIEF ON PANELS NOT SHOWN FOR CLARITY.



1/4" PREFORMED BEARING PADS

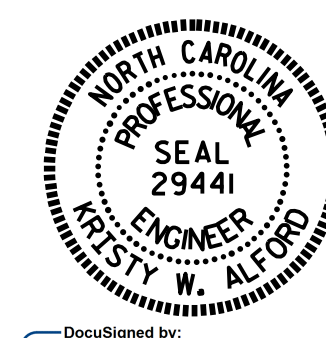


PANELS AT CENTRAL CONCRETE PILASTER

2 TOP PANELS REQUIRED
2 BOTTOM PANELS REQUIRED

PROJECT NO. B-5121/B-5317
WAKE COUNTY
STATION: 22+06.91 -L-

SHEET 2 OF 2



STATE OF NORTH CAROLINA
DEPARTMENT OF TRANSPORTATION
RALEIGH
SUPERSTRUCTURE
PRECAST PANELS

REVISIONS						SHEET NO.
NO.	BY:	DATE:	NO.	BY:	DATE:	S-41
1			3			TOTAL SHEETS
2			4			110

DOCUMENT NOT CONSIDERED FINAL UNLESS ALL SIGNATURES COMPLETED

DRAWN BY: K.W. ALFORD DATE: 2/2016
CHECKED BY: J.P. ADAMS DATE: 2/2016
DESIGN ENGINEER OF RECORD: K.W. ALFORD DATE: 2/2016