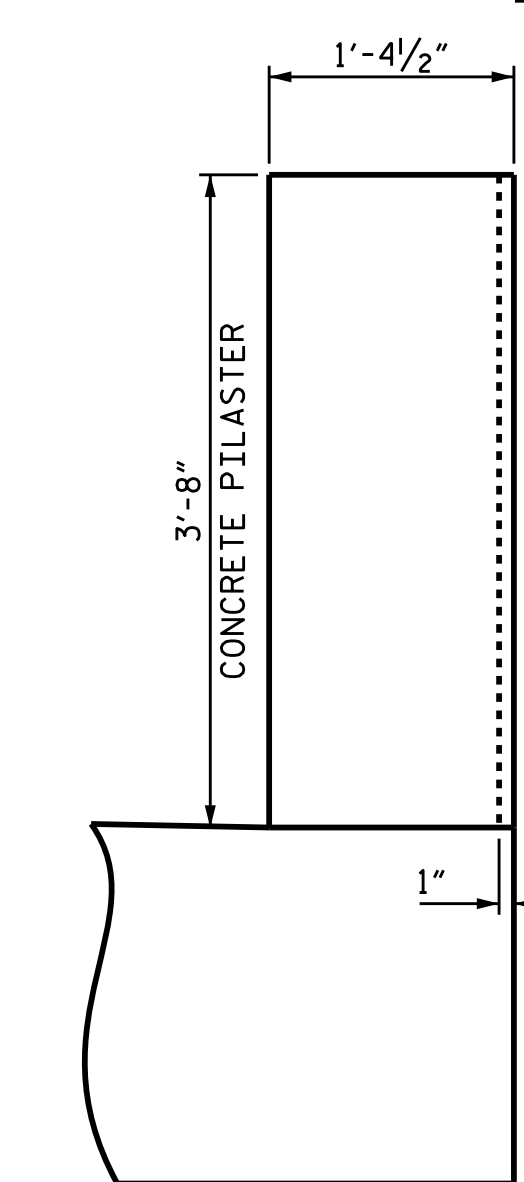
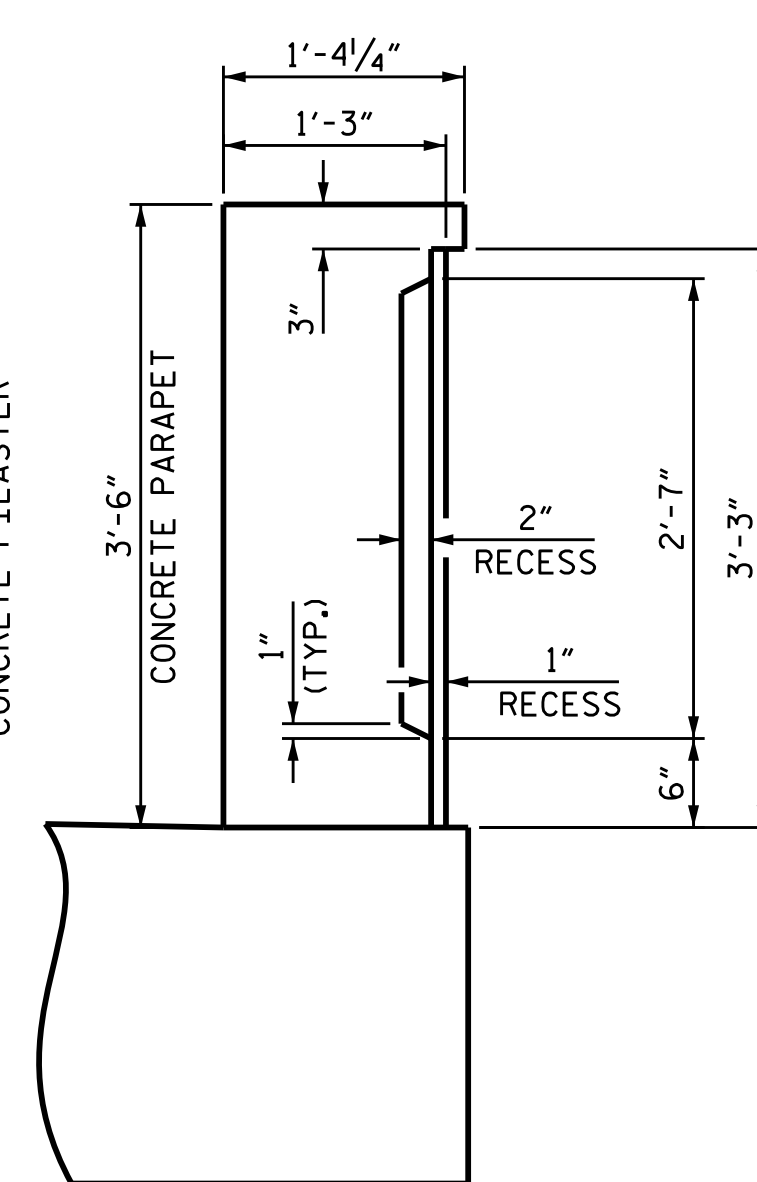
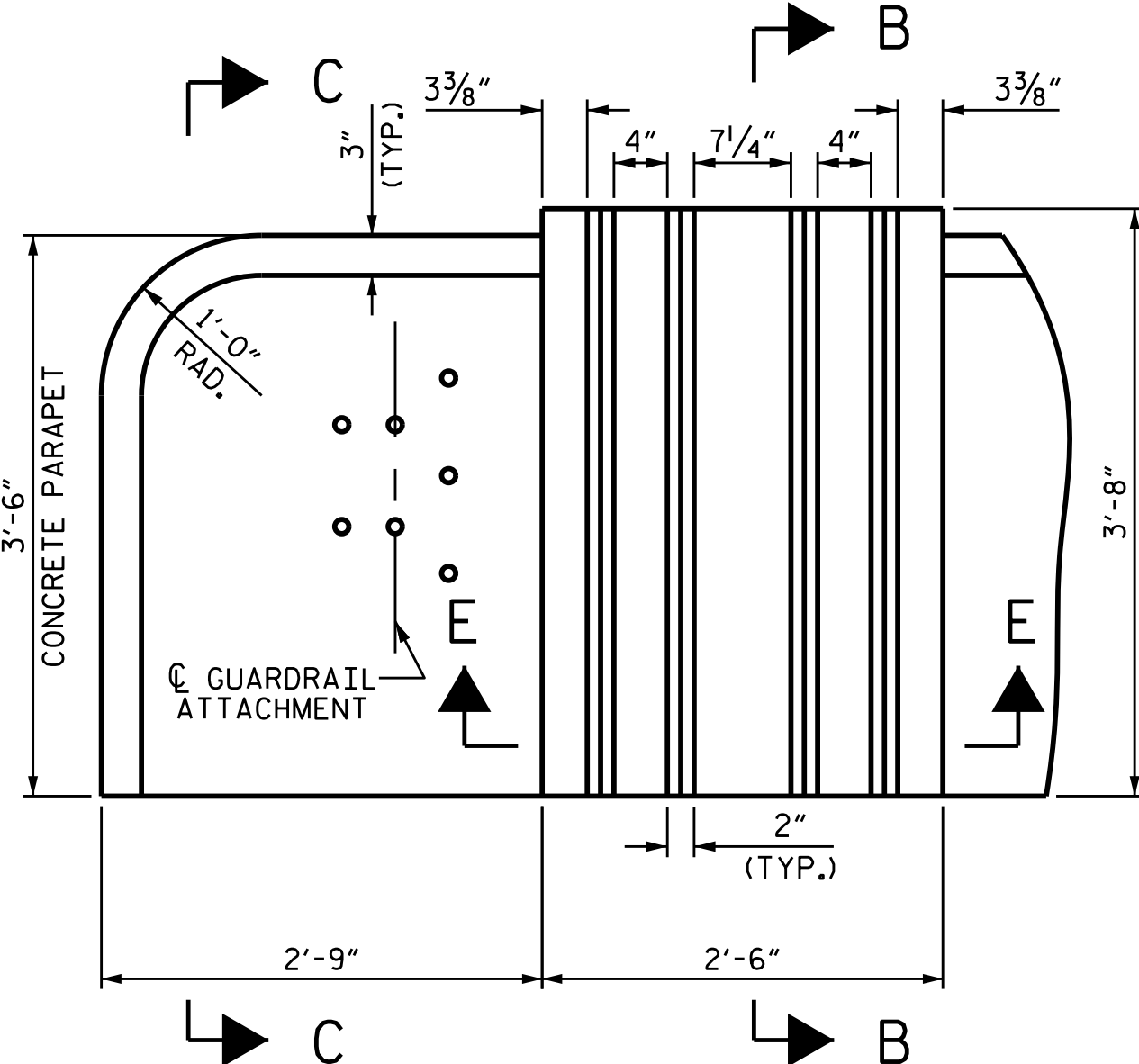
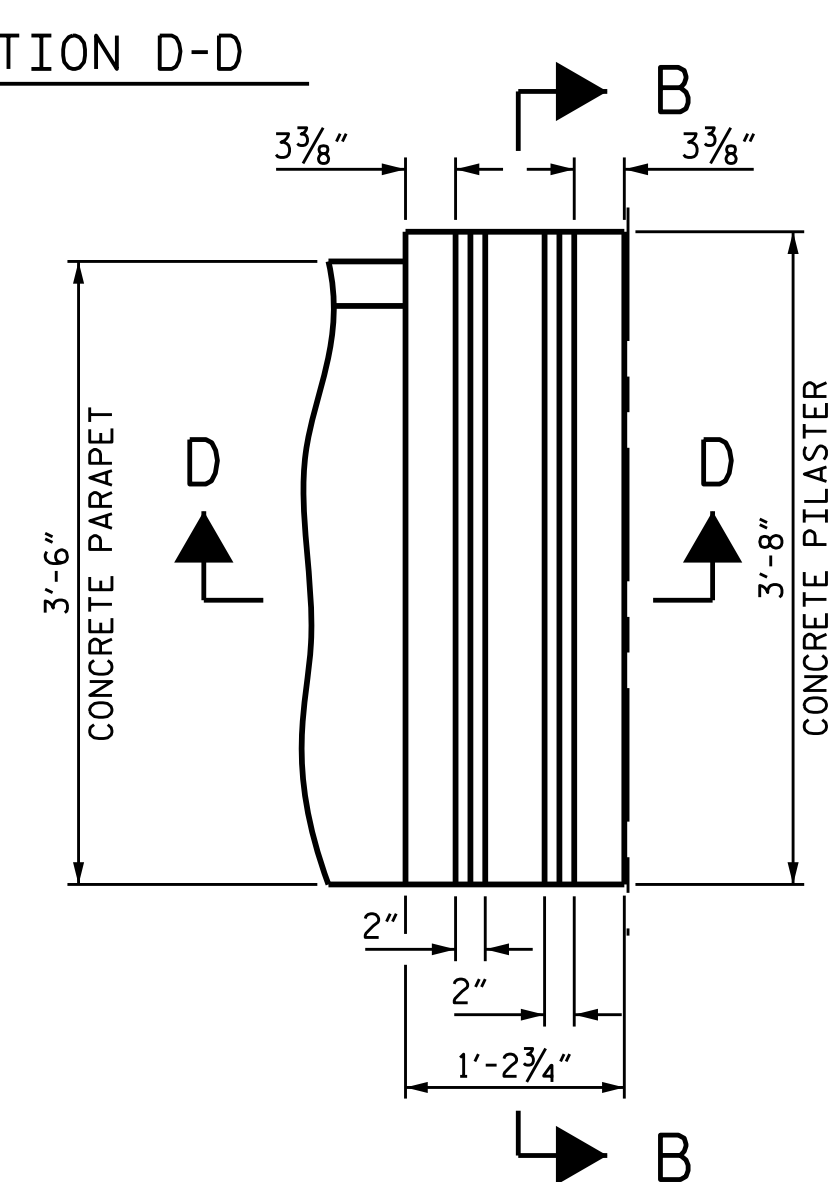
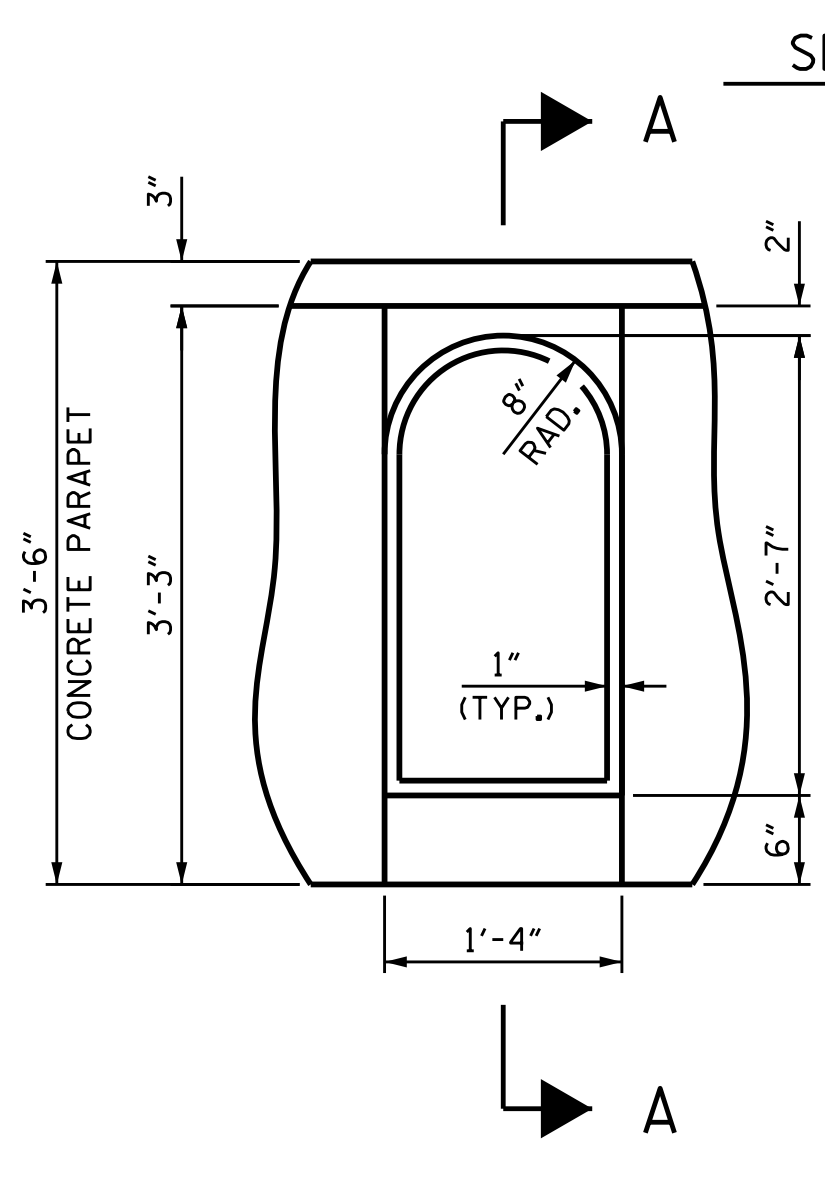
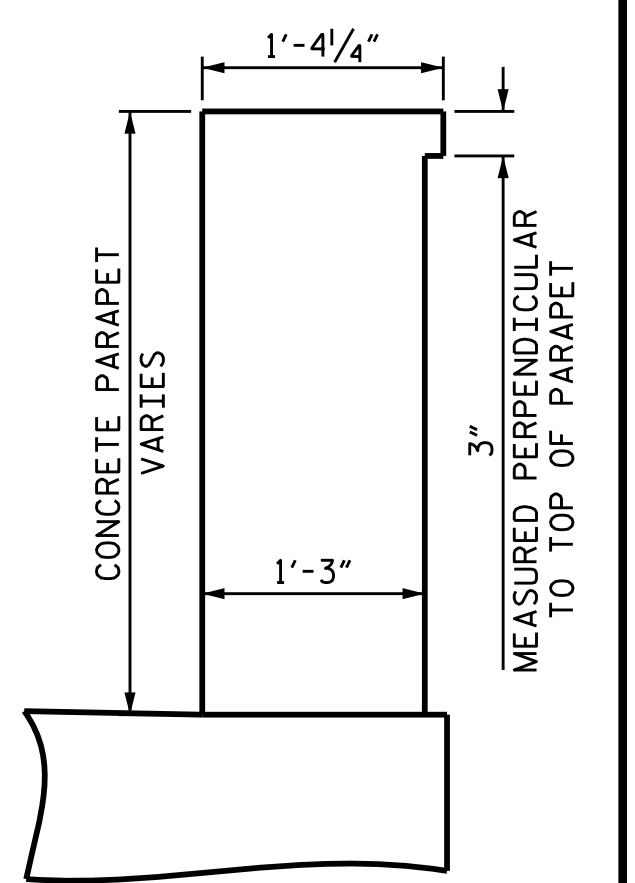
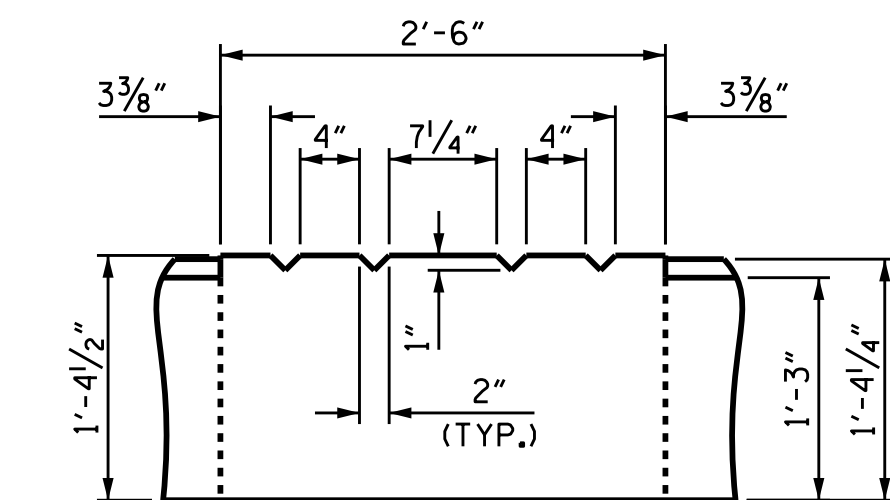
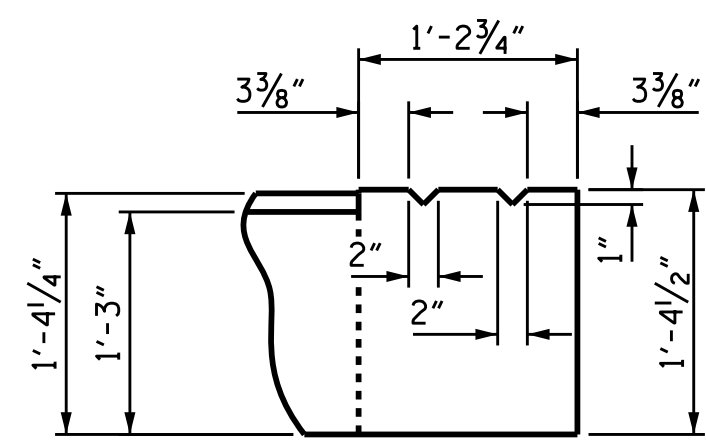


ELEVATION OF PARAPET ON MOMENT SLAB



RECESSED PANEL DETAIL

JOINT PILASTER DETAIL

PILASTER TO LEFT OF JOINT SHOWN.
PILASTER TO RIGHT OF JOINT
SIMILAR BY ROTATION.

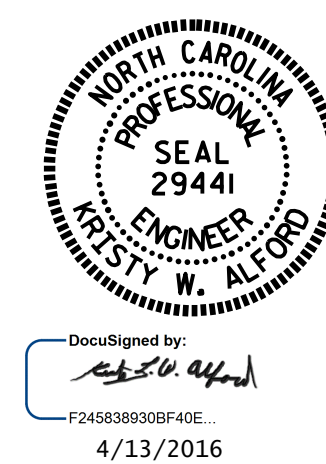
END OF PARAPET DETAIL

PILASTER TO LEFT OF JOINT SHOWN.
PILASTER TO RIGHT OF JOINT
SIMILAR BY ROTATION.

SECTION A-A

SECTION B-B

DRAWN BY : K.W. ALFORD DATE : 2/2016
CHECKED BY : J.P. ADAMS DATE : 2/2016
DESIGN ENGINEER OF RECORD : K.W. ALFORD DATE : 2/2016



PROJECT NO. B-5121/B-5317
WAKE COUNTY
STATION: 22+06.91 -L-
SHEET 3 OF 3

STATE OF NORTH CAROLINA
DEPARTMENT OF TRANSPORTATION
RALEIGH

MOMENT SLAB

DOCUMENT NOT CONSIDERED
FINAL UNLESS ALL
SIGNATURES COMPLETED

| REVISIONS | | | | | | SHEET NO. | |
|-----------|-----|-------|-----|-----|-------|--------------|--|
| NO. | BY: | DATE: | NO. | BY: | DATE: | S-38 | |
| 1 | | | 3 | | | TOTAL SHEETS | |
| 2 | | | 4 | | | 110 | |