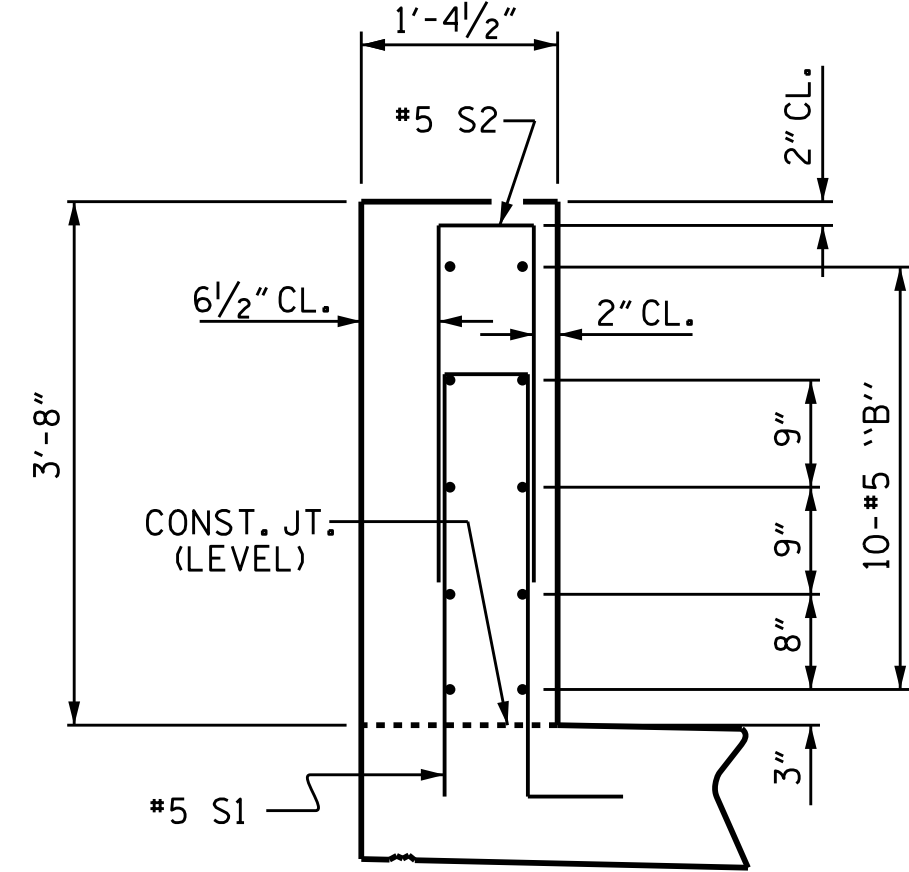
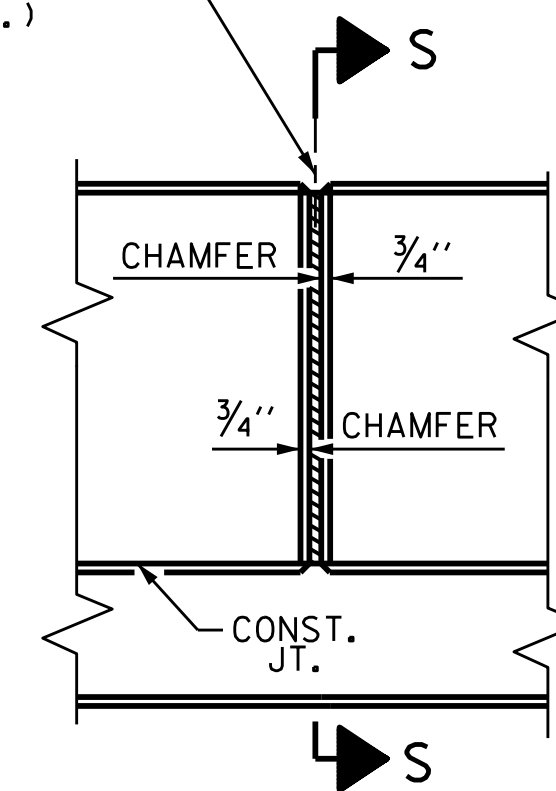


SECTION THROUGH PARAPET

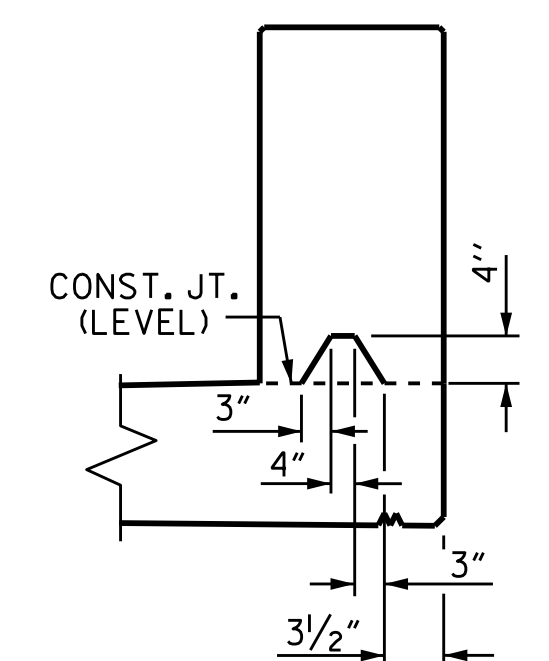


SECTION THROUGH PILASTER

1/2" EXP. JT. MAT'L HELD IN PLACE WITH GALVANIZED NAILS.  
(NOTE: OMIT EXP. JT. MAT'L. WHEN SLIP FORM IS USED.)

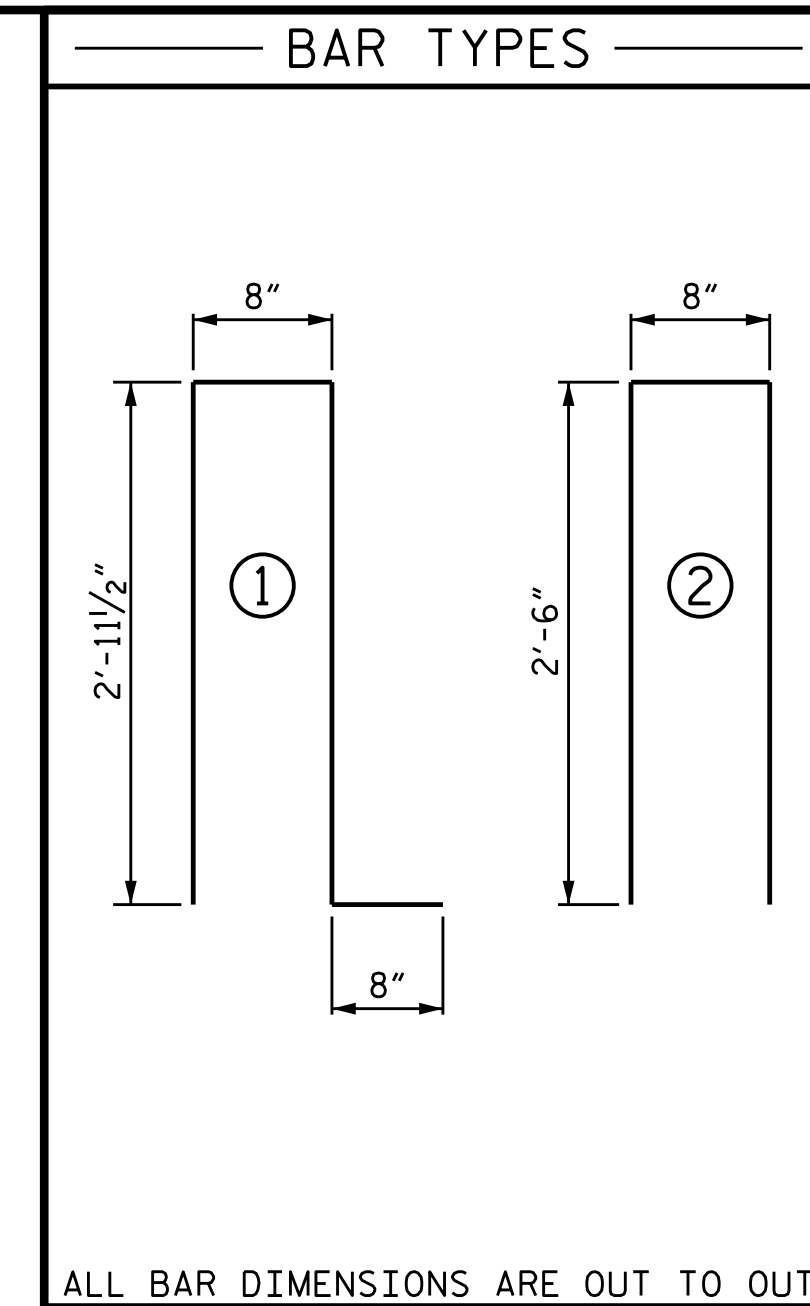


ELEVATION AT EXPANSION JOINTS

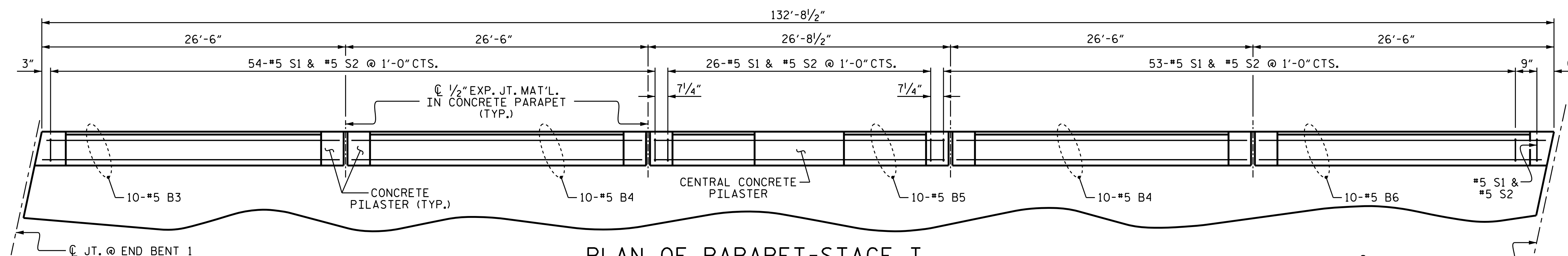


SECTION S-S  
AT DAM IN OPEN JOINT  
(THIS IS TO BE USED ONLY WHEN SLIP FORM IS USED)

CONCRETE PARAPET DETAILS

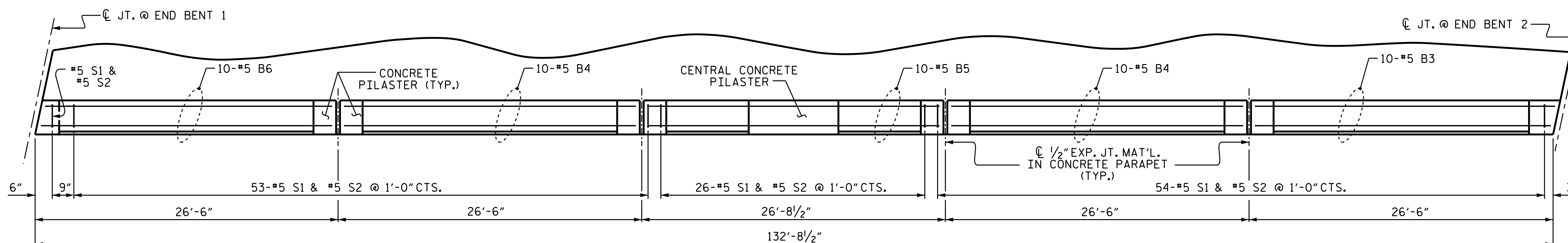


| BILL OF MATERIAL-STAGE I    |     |      |      |         |             |
|-----------------------------|-----|------|------|---------|-------------|
| CONCRETE PARAPET            |     |      |      |         |             |
| BAR                         | NO. | SIZE | TYPE | LENGTH  | WEIGHT      |
| * B3                        | 10  | #5   | STR  | 26'-2"  | 273         |
| * B4                        | 20  | #5   | STR  | 26'-1"  | 544         |
| * B5                        | 10  | #5   | STR  | 26'-4"  | 275         |
| * B6                        | 10  | #5   | STR  | 25'-10" | 269         |
| * S1                        | 134 | #5   | 1    | 7'-3"   | 1013        |
| * S2                        | 134 | #5   | 2    | 5'-8"   | 792         |
| * EPOXY COATED REINF. STEEL |     |      |      |         | 3166 LBS.   |
| CLASS AA CONCRETE           |     |      |      |         | 21.9 C.Y.   |
| DECORATIVE CONCRETE PARAPET |     |      |      |         | 132.71 L.F. |
| BILL OF MATERIAL-STAGE II   |     |      |      |         |             |
| CONCRETE PARAPET            |     |      |      |         |             |
| BAR                         | NO. | SIZE | TYPE | LENGTH  | WEIGHT      |
| * B3                        | 10  | #5   | STR  | 26'-2"  | 273         |
| * B4                        | 20  | #5   | STR  | 26'-1"  | 544         |
| * B5                        | 10  | #5   | STR  | 26'-4"  | 275         |
| * B6                        | 10  | #5   | STR  | 25'-10" | 269         |
| * S1                        | 134 | #5   | 1    | 7'-3"   | 1013        |
| * S2                        | 134 | #5   | 2    | 5'-8"   | 792         |
| * EPOXY COATED REINF. STEEL |     |      |      |         | 3166 LBS.   |
| CLASS AA CONCRETE           |     |      |      |         | 21.9 C.Y.   |
| DECORATIVE CONCRETE PARAPET |     |      |      |         | 132.71 L.F. |



PLAN OF PARAPET-STAGE I

DIMENSIONS ARE GIVEN ALONG THE OUTSIDE EDGE OF SUPERSTRUCTURE



PLAN OF PARAPET-STAGE II

DIMENSIONS ARE GIVEN ALONG THE OUTSIDE EDGE OF SUPERSTRUCTURE

NOTES

ALL REINFORCING STEEL IN PARAPETS SHALL BE EPOXY COATED.

GROOVED CONTRACTION JOINTS, 1/2" IN DEPTH, SHALL BE TOOLED IN ALL EXPOSED FACES OF THE PARAPET AND IN ACCORDANCE WITH ARTICLE 825-10(B) OF THE STANDARD SPECIFICATIONS, A CONTRACTION JOINT SHALL BE LOCATED AT EACH THIRD POINT BETWEEN PARAPET EXPANSION JOINTS. ONLY ONE CONTRACTION JOINT IS REQUIRED AT MIDPOINT OF PARAPET SEGMENTS LESS THAN 20 FEET IN LENGTH AND NO CONTRACTION JOINTS ARE REQUIRED FOR THOSE SEGMENTS LESS THAN 10 FEET IN LENGTH.

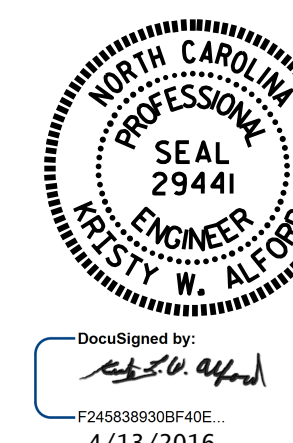
THREADED RODS FOR PRECAST PANELS ARE NOT SHOWN FOR CLARITY. SEE "PRECAST PANEL" SHEETS FOR LOCATION AND DETAILS OF THREADED RODS. REINFORCING STEEL MAY BE SHIFTED SLIGHTLY TO AVOID INTERFERENCE WITH THREADED RODS.

PARAPET IN THE SPAN SHALL NOT BE CAST UNTIL ALL SLAB CONCRETE IN THE SPAN HAS BEEN CAST AND HAS REACHED A MINIMUM COMPRESSIVE STRENGTH OF 3,000 PSI.

AESTHETIC DETAILS NOT SHOWN FOR CLARITY. SEE "PARAPET AESTHETIC DETAILS" SHEETS.

DECK EDGE BEAM NOT SHOWN FOR CLARITY. FOR DETAILS AND REINFORCING STEEL, SEE "DECK EDGE BEAM" SHEETS.

FOR DECORATIVE CONCRETE PARAPET, SEE SPECIAL PROVISIONS.



DRAWN BY : I.L. AVERETTE DATE : 2-16  
 CHECKED BY : J.P. ADAMS DATE : 2-16  
 DESIGN ENGINEER OF RECORD : I.L. AVERETTE DATE : 2-16

DOCUMENT NOT CONSIDERED FINAL UNLESS ALL SIGNATURES COMPLETED

| REVISIONS |     |       |     |     |       | SHEET NO.        |
|-----------|-----|-------|-----|-----|-------|------------------|
| NO.       | BY: | DATE: | NO. | BY: | DATE: | S-19             |
| 1         |     |       | 3   |     |       | TOTAL SHEETS 110 |
| 2         |     |       | 4   |     |       |                  |

PROJECT NO. B-5121/B-5317  
 WAKE COUNTY  
 STATION: 22+06.91 -L-

STATE OF NORTH CAROLINA  
 DEPARTMENT OF TRANSPORTATION  
 RALEIGH  
 SUPERSTRUCTURE  
 CONCRETE PARAPET  
 DETAILS  
 STAGE I & STAGE II