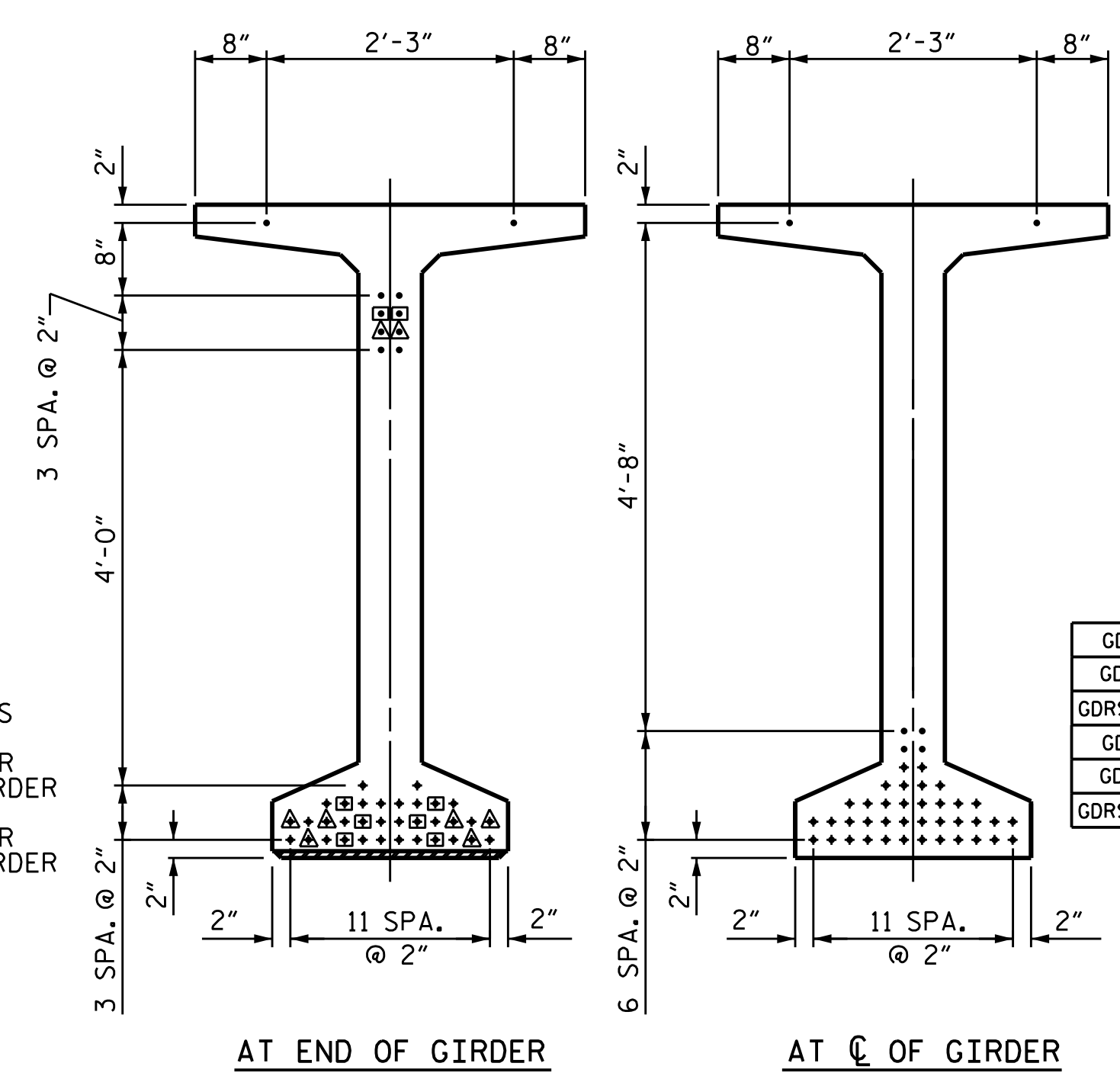


SECTION C-C
(S13, S14 AND S9 BARS NOT SHOWN)

1/2" Ø FORMED HOLE. SEE SHEET 2 OF 2 FOR LOCATION. FOR DIM. "A", "B" & "C" SEE "INTERMEDIATE STEEL DIAPHRAGMS" SHEET.)

DEBONDING LEGEND

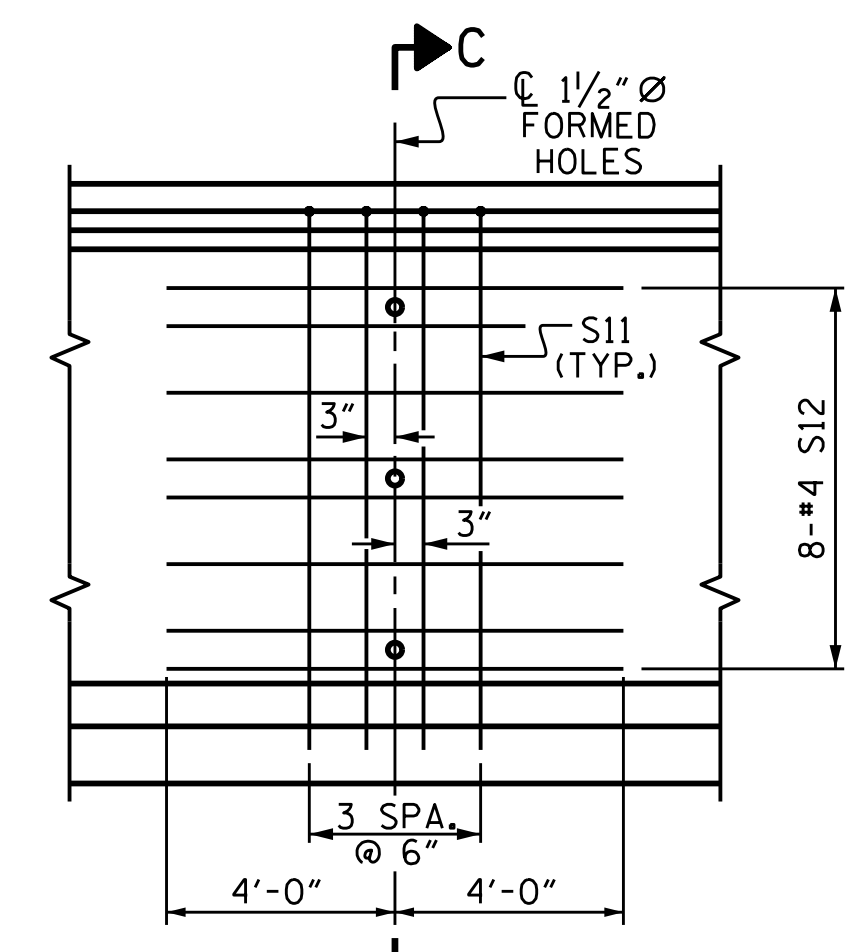
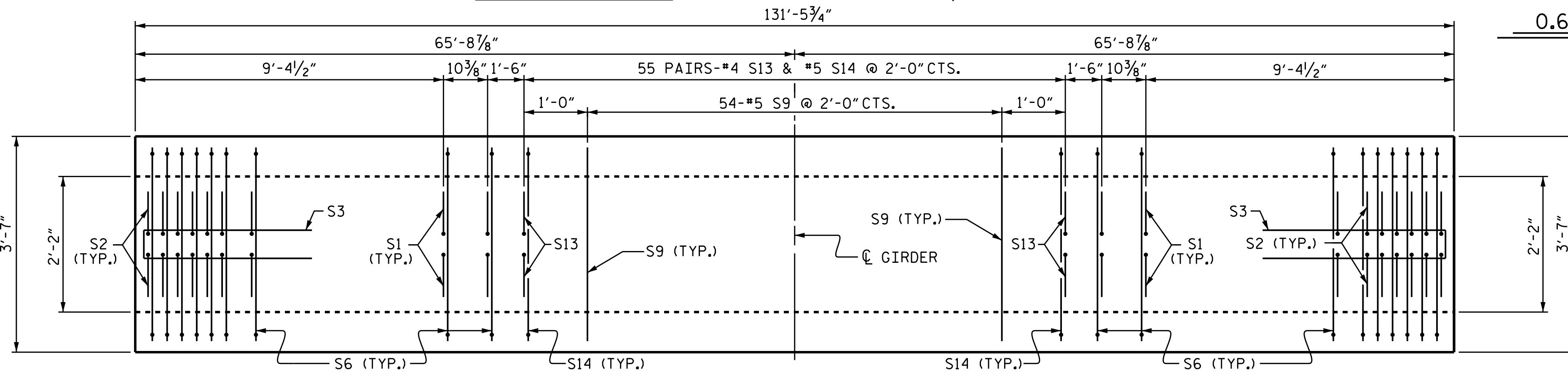
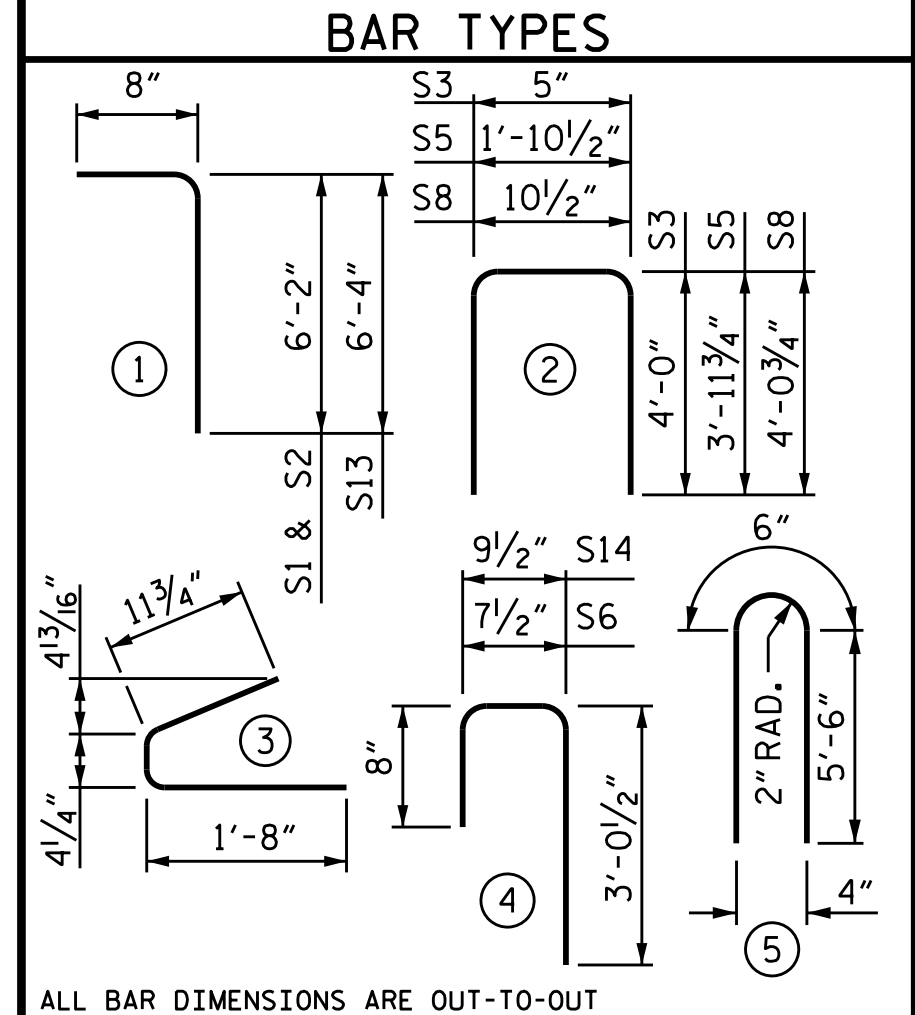
- FULLY BONDED STRANDS
- STRANDS DEBONDED FOR 2'-0" FROM END OF GIRDER
- STRANDS DEBONDED FOR 4'-0" FROM END OF GIRDER



GDRS. 1 & 14	S11	12	#5	5	11'-6"	144
GDRS. 2 & 13	S11	20	#5	5	11'-6"	240
GDRS. 3 THRU 12	S11	8	#5	5	11'-6"	96
GDRS. 1 & 14	S12	24	#4	STR	8'-0"	128
GDRS. 2 & 13	S12	40	#4	STR	8'-0"	214
GDRS. 3 THRU 12	S12	16	#4	STR	8'-0"	86
	S13	110	#4	1	7'-0"	514
	S14	110	#5	4	4'-6"	516

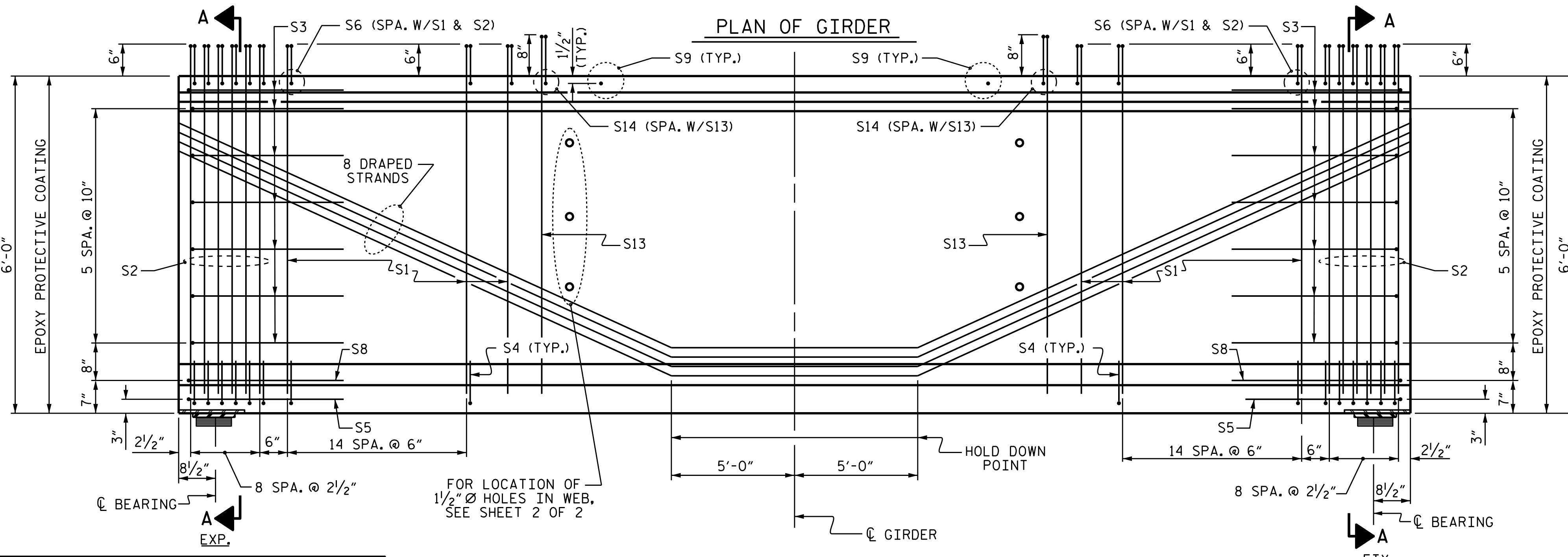
0.6" Ø L. R. GRADE 270 STRANDS		
AREA (SQUARE INCHES)	ULTIMATE STRENGTH (LBS. PER STRAND)	APPLIED PRESTRESS (LBS. PER STRAND)
0.217	58,600	43,950

REINFORCING STEEL FOR ONE GDR						
BAR	NUMBER	SIZE	TYPE	LENGTH	WEIGHT	
S1	64	#4	1	6'-10"	292	
S2	36	#5	1	6'-10"	257	
S3	14	#4	2	8'-5"	79	
S4	96	#4	3	3'-0"	192	
S5	2	#5	2	9'-10"	21	
S6	96	#5	4	4'-4"	434	
S8	2	#5	2	9'-0"	19	
S9	54	#5	STR	3'-3"	183	
GDRS. 1 & 14	S11	12	#5	5	11'-6"	144
GDRS. 2 & 13	S11	20	#5	5	11'-6"	240
GDRS. 3 THRU 12	S11	8	#5	5	11'-6"	96
GDRS. 1 & 14	S12	24	#4	STR	8'-0"	128
GDRS. 2 & 13	S12	40	#4	STR	8'-0"	214
GDRS. 3 THRU 12	S12	16	#4	STR	8'-0"	86
	S13	110	#4	1	7'-0"	514
	S14	110	#5	4	4'-6"	516



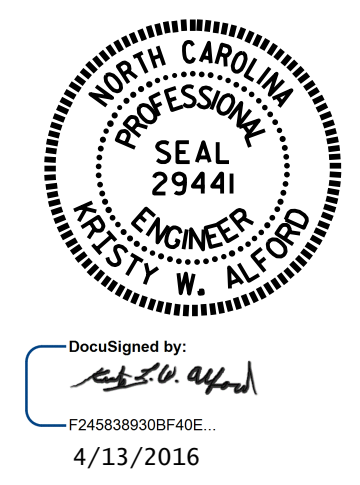
QUANTITIES FOR ONE GIRDER			
	REINFORCING STEEL	10000 PSI CONCRETE	0.6" Ø L.R. STRANDS
	LB.	C.Y.	No.
GDRS. 1 & 14	2779	28.2	44
GDRS. 2 & 13	2961	28.2	44
GDRS. 3 THRU 12	2689	28.2	44

GIRDERS REQUIRED		
NUMBER	LENGTH	TOTAL LENGTH
14	131'-5 3/4"	1840'-8 1/2"



PARTIAL ELEVATION
SHOWING INTERMEDIATE STEEL DIAPHRAGM REINFORCING STEEL FOR GIRDER #1 THRU #14

ASSEMBLED BY : T.L. AVERETTE	DATE : 2-15
CHECKED BY : J.P. ADAMS	DATE : 2-16
DESIGN ENGINEER OF RECORD: T.L. AVERETTE	DATE : 2-16
DRAWN BY : EEM 2/6/97	REV. 10/1/11
CHECKED BY : VAP 2/6/97	REV. 6/13
	REV. 1/15
	MAA/GM
	MAA/GM
	MAA/TMG



DOCUMENT NOT CONSIDERED FINAL UNLESS ALL SIGNATURES COMPLETED

PROJECT NO. B-5121/B-5317
WAKE COUNTY
STATION: 22+06.91 -L-

SHEET 1 OF 2

STATE OF NORTH CAROLINA
DEPARTMENT OF TRANSPORTATION
RALEIGH

STANDARD
72" PRESTRESSED CONCRETE
MODIFIED BULB TEE
CONTINUOUS FOR LIVE LOAD

REVISIONS						SHEET NO.	
NO.	BY:	DATE:	NO.	BY:	DATE:	S-13	
1			3			TOTAL SHEETS 110	
2			4				