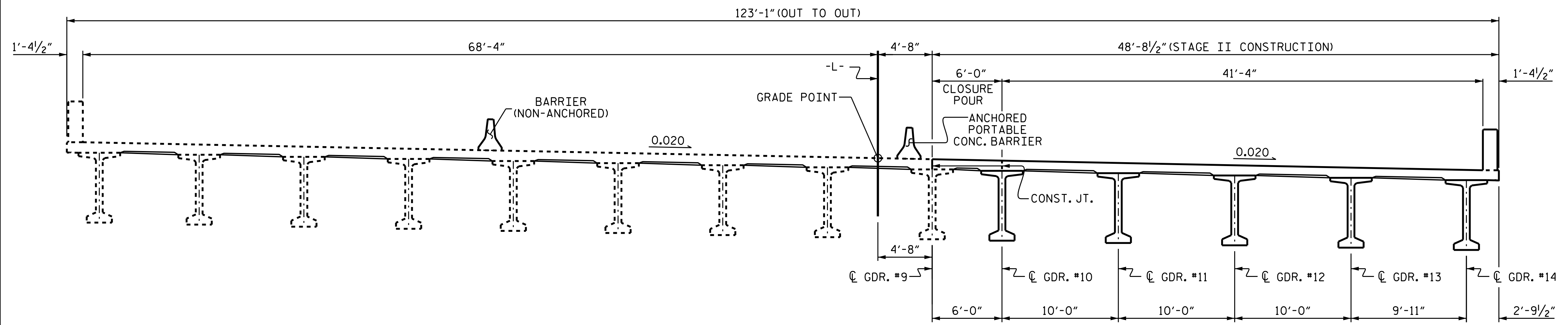
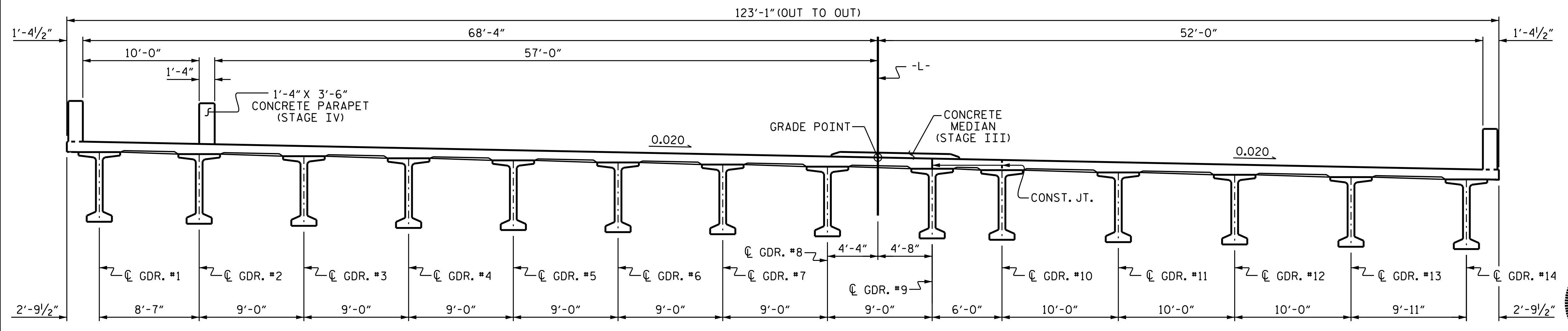


STAGE I CONSTRUCTION



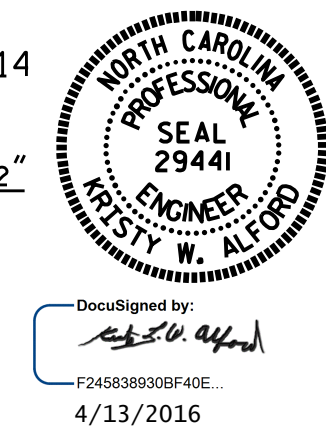
STAGE II CONSTRUCTION

SEE TRAFFIC CONTROL PLANS FOR LOCATION AND PAY LIMITS OF THE PORTABLE CONCRETE BARRIERS AND WATER FILLED BARRIERS.



FINAL CONSTRUCTION

PROJECT NO. B-5121/B-5317
WAKE COUNTY
 STATION: 22+06.91 -L-



| | | | |
|----------------------------|----------------------|--------|-------------|
| DRAWN BY : | <u>I.L. AVERETTE</u> | DATE : | <u>2/16</u> |
| CHECKED BY : | <u>J.P. ADAMS</u> | DATE : | <u>2/16</u> |
| DESIGN ENGINEER OF RECORD: | <u>I.L. AVERETTE</u> | DATE : | <u>2/16</u> |

DOCUMENT NOT CONSIDERED FINAL UNLESS ALL SIGNATURES COMPLETED

| REVISIONS | | | | | | SHEET NO. |
|-----------|-----|-------|-----|-----|-------|--------------|
| NO. | BY: | DATE: | NO. | BY: | DATE: | S-5 |
| 1 | | | 3 | | | TOTAL SHEETS |
| 2 | | | 4 | | | 110 |